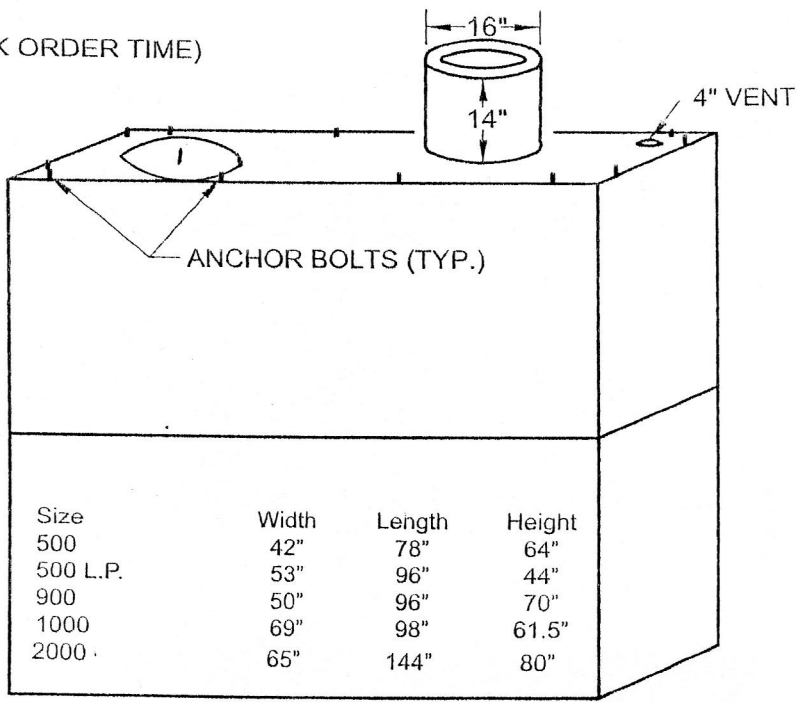


PRIVY TANKS:

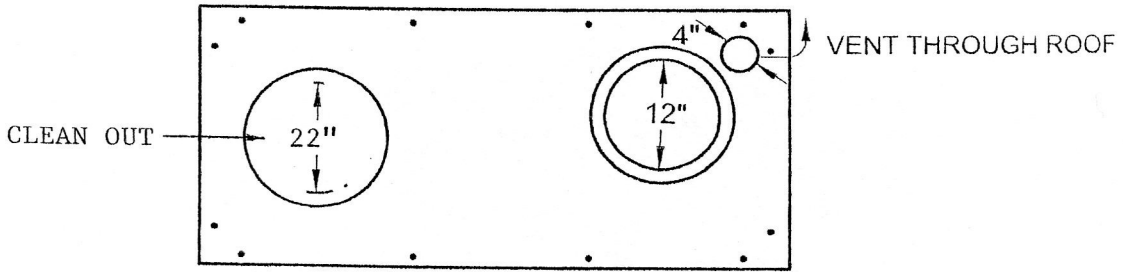
OUTSIDE TOILET BUILDINGS CAN
BE BUILT ON TOP OF THESE

SIZES AVAILABLE IN STOCK

- 500 GAL
- 900 GAL
- 1000 GAL
- 2000 GAL (1 WEEK ORDER TIME)



Excavation should be 1 foot larger in length and width.



PRIVY TANKS CAN BE MADE WITH MORE THAN ONE SEAT

Concrete Privy Septic Tank

Lycoming, A division of Lycoming Burial Vault Co., Inc.
350 Spruce Street Montoursville, PA 17754
Phone: (570) 368-8642 Toll Free: (800) 640-0052 Fax: (570) 368-2299

