



Features

- High pressure up to 10,000 psi (689 bar).
- Blowout proof design with internally loaded stem.
- Handle indicates the flow direction.
- Positive stop with a robust stop pin.
- High flow rate with maximum orifice.
- Various end ports including DK-Lok tube port.
- Various flow control with side and bottom inlet port on 3-way diverter valves.

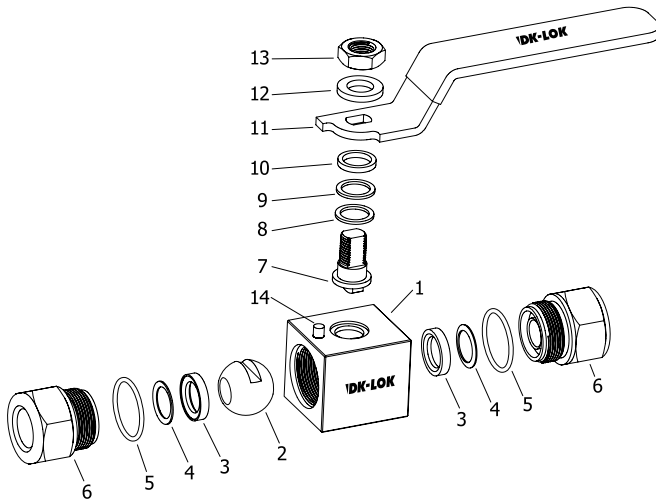


Table 1. **Materials of Construction**

Component	Materials Grade/ASTM Specification	
1	SS316/A276 or A479	
2		
3	PVDF, standard for V86 Series Optional PCTFE PEEK, standard for VC86 Series	
4	Type 630/A564, applicable to VC86 Series	
5	FKM Oring for V86 Series HNBR O-ring for VC86 Series	
6	SS316/A276 or A479	
7		
8	PTFE	
9		
10	SS316/ ASTM A276 or ASTM A479	
11	Lever Handle	SS304 handle with vinyl sleeve
	Optional Oval Handle	
12	SS304	
13	SS304	
14	SS304	

- Wetted parts and lubricants listed in **blue**.
- Fluorinated-based lubricant

CNC/NGV Certifications

VC86 Series with PEEK seat and HNBR O-rings are available with CNG/NGV certifications.

The sealing material of seat and O-rings are selected for compatible with CNG.

VC86 Series with the live loaded compensation disc spring reacts on ball movement in both low and high pressure systems in CNG and NGV applications.

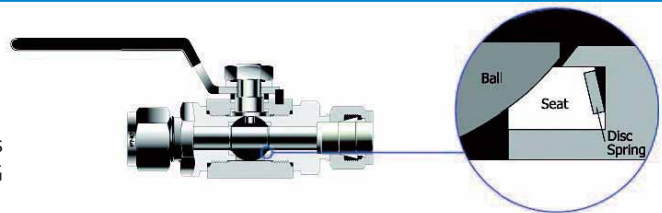


Table 2. **Pressure - Temperature Rating for CNG Service**

Valve Series	Certificates	ECE R110	ANSI / AGA NGV 3.1-1995 CGV NGV 12.3-M95	ANSI / IAS NGV 4.6-1999 CSA 12.56-M99	ISO 15500
VC86 Series 2-way ball valves	Certificate No.	110R-000181	2010-REPORT-002 (00)	2010-REPORT-003 (00)	2010-REPORT-001- (00)
	Classification	Class 0	manual valve	manual valve (Class B)	manual valve
	Temperature	-40 to 120 °C (-40 to 250 °F)	-40 to 121 °C (-40 to 250 °F)	-40 to 65 °C (-40 to 150 °F)	-40 to 121 °C (-40 to 250 °F)
	Working Pressure	274 bar @ 120 °C	273 bar @ 121 °C	293 bar @ 65 °C	273 bar @ 121 °C

Operation

- 2-way positive shut off and 3-way directional control of fluids in process, power and instrument application.
- Valves are designed to control fluids in full open or full closed position.

- Valves that have not been actuated for a period of time may have a higher initial actuation torque.
- Valves must be in open position during system test not to damage the valve seat.
- Sour Gas Service NACE MR0175 available.

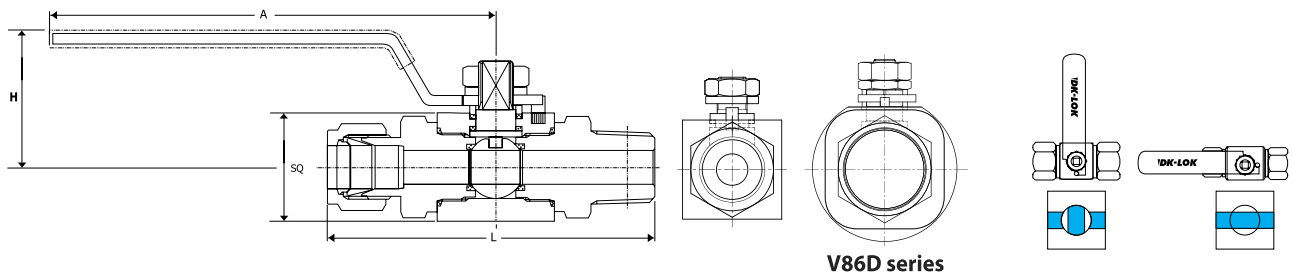
Factory Test

Every valve is tested with nitrogen gas @1,000 psig (68 bar) for leakage at the seat to a maximum allowable leak rate of 0.1 SCCM. The stem packing is tested with nitrogen gas @1,000 psig for no detectable leakage.

Cleaning and Packaging

Every valve is cleaned and packaged in accordance with DK-Lok cleaning standard DC-01. Special cleaning and packaging in accordance with DK-Lok DC-11 ensures compliance with product cleaning of ASTM G93 Level C is available for valves with PCTFE seat.

2-Way On-off Valves



Ordering Information and Dimensions

Basic Ordering Number	End Connections Inlet & Outlet	Orifice mm (in.)	Cv	Dimensions mm (in.)				
				A	H	L	SQ	
V86A- VC86A-	D-4T	1/4 in. DK-Lok	4.8 (0.19)	108.3 (4.26)	38.4 (1.52)	97.12 (3.82)	32.0 (1.26)	
	D-6T	3/8 in. DK-Lok	7.1 (0.28)					
	D-8T	1/2 in. DK-Lok	10.0 (0.39)					
	F-4N	1/4 in. Female NPT						
	F-6N	3/8 in. Female NPT	7.5					
	F-8N	1/2 in. Female NPT						
	M-4N	1/4 in. Male NPT	3.7					
	M-6N	3/8 in. Male NPT	7.2					
M-8N	1/2 in. Male NPT	7.5						
V86B- VC86B-	F-8N	1/2 in. Female NPT	12.7 (0.50)	149.0 (5.86)	50.8 (2.00)	89.0 (3.50)	40.0 (1.57)	
	F-12N	3/4 in. Female NPT						
	D-12M	12mm DK-Lok						
	D-16M	16mm DK-Lok						
	D-8T	1/2 in. DK-Lok						
	D-10T	5/8 in. DK-Lok						
D-12T	3/4 in. DK-Lok	12.7 (0.50)						
V86C- VC86C-	F-12N	3/4 in. Female NPT	19.0 (0.75)	149.0 (5.86)	56.0 (2.20)	96.0 (3.78)	50.0 (1.97)	
	F-16N	1 in. Female NPT						
	D-12T	3/4 in. DK-Lok						
	D-16T	1 in. DK-Lok						
	M-12N	3/4 in. Male NPT						
M-16N	1 in. Male NPT	19.0 (0.75)						
VC86D-	F-16N	1 in. Female NPT	25.0 (0.98)	Full Bore	193.7 (7.62)	84.1 (3.31)	112.90 (4.44)	70 (2.76)

Table 3. 2-Way Valve Actuation Torque

CNG valve ordering number :

The basic ordering number listed in black are not for CNG/NGV applicable valves.

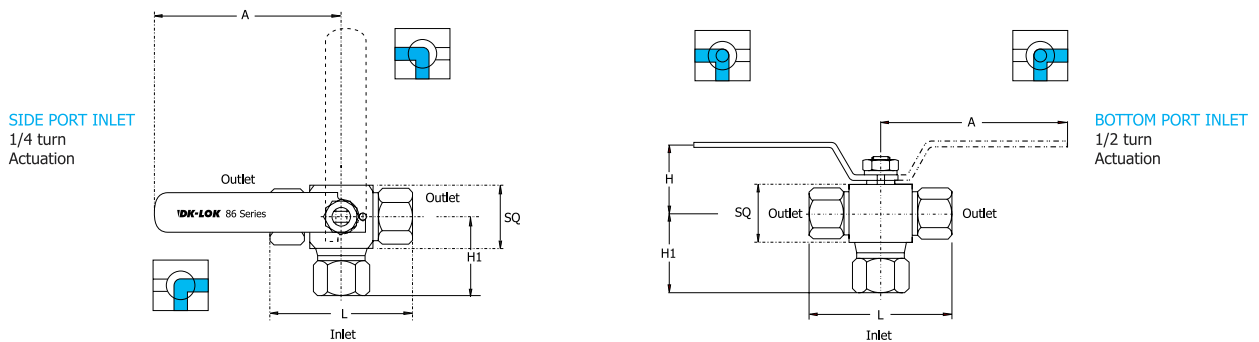
Standard Valves

Valve Series	System Pressures, bar (psig)		
	0 (0)	334 (5000)	413 (6000)
	Torque Unit: Nm		
V86A	3.92 (2.89)	-	6.37 (4.69)
V86B	7.35 (5.42)	10.30 (7.59)	-
V86C	12.26 (9.04)	19.61 (14.46)	-

CNG/NGV Valves

Valve Series	System Pressures, bar (psig)	
	0 (0)	344 (5000)
	Torque Unit: Nm	
VC86B	5.19	10.59
VC86C	2.15	5.88
VC86D	7.35	9.80

3-Way Diverter Valves



V86 3-way ball valve is designed to switch media through the inlet port and direct it to out of two outlet ports.

Ordering Information and Dimensions

Basic Ordering Number	End Connections	Orifice mm (in.)	Dimensions mm (in.)				SQ
			A	H	H1	L	
V86A-	3*- D-4T-	1/4 in. DK-Lok	108.3 (4.26)	38.4 (1.52)	50.9 (2.0)	97.12 (3.82)	32.0 (1.26)
	3*- D-6T-	3/8 in. DK-Lok			53.0 (2.09)	104.5 (4.11)	
	3*- D-8T-	1/2 in. DK-Lok			55.8 (2.20)	109.6 (4.31)	
	3*- F-4N -	1/4 in. Female NPT			40.0 (1.57)	74.0 (2.91)	
	3*- F-6N-	3/8 in. Female NPT			41.5 (1.64)	77.0 (3.03)	
V86B-	3*- F-8N-	1/2 in. Female NPT	149.0 (5.86)	50.8 (2.00)	45.5 (1.79)	85.0 (3.35)	40.0 (1.57)
	3*- F-8N-	1/2 in. Female NPT			55.0 (2.17)	89.0 (3.50)	
	3*- F-12N-	3/4 in. Female NPT			55.0 (2.17)	90.0 (3.54)	
	3*- D-10T-	5/8 in. DK-Lok			67.2 (2.66)	114.4 (4.50)	
V86C-	3*- D-12T-	3/4 in. DK-Lok	149.0 (5.86)	56.0 (2.20)	67.7 (2.66)	115.0 (4.53)	50.0 (1.97)
	3*- D-12T-	3/4 in. DK-Lok			75.3 (2.96)	125.0 (4.92)	
	3*- D-16T-	1 in. DK-Lok			80.0 (3.15)	134.0 (5.27)	
	3*- F-12N-	3/4 in. Female NPT			59.5 (2.34)	96.0 (3.78)	
	3*- F-16N-	1 in. Female NPT			67.0 (2.64)	111.0 (4.37)	

All dimensions shown are for reference only and are subject to change.

Side and Bottom Port Valve Ordering Information

To order side port entry valve, replace * with S, to order bottom port entry valve, replace * with B.

Examples : V86A-3S-D-4T-S, V86A-3B-D-4T-S.

Table 5. 2-way Valve Pressure and Temperature Rating

Valve Series	Seat Material	Maximum Working Pressure at -54 ~ 21°C (-65 ~ 70°F) psig(bar)	Temperature Rating °C(°F)
V86A	PVDF	6,000 (413)	-30 to 130 (-22 to 266)
	PCTFE		-30 to 180 (-22 to 356)
	PEEK	10,000 (689)	-54 to 260 (-65 to 500)
V86B V86C	PVDF	5,000 (344)	-30 to 110 (-22 to 230)
	PCTFE		-30 to 160 (-22 to 320)
	PEEK	6,000 (413)	-40 to 210 (-40 to 410)
V86D	PCTFE	6,000 (413)	-40 to 160 (-40 to 320)

Note : Refer to table 2 for VC86 series's Pressure and Temperature Rating

Table 4. 3-way Valve Actuation Torque

Valve Series	System Pressures, bar (psig)		
	0 (0)	206 (3000)	275 (4000)
	Torque Unit: Nm		
V86A	3.92	-	4.90
V86B	7.35	7.85	-

Table 6. 3-way Valve Pressure and Temperature Rating

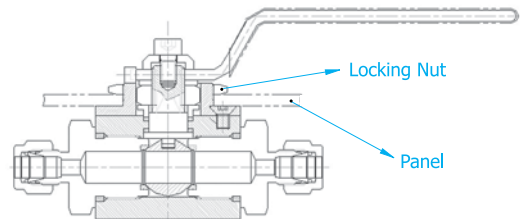
Valve Series	Seat	Maximum Working Pressure at -54~21°C (-65~70°F) psig (bar)	Temperature Rating °C(°F)
V86A-3*	PVDF	4,000 (275)	-30 to 130 (-22 to 266)
	PCTFE		-30 to 180 (-22 to 356)
	PEEK	6,000 (413)	-40 to 230 (-40 to 446)
V86B-3* V86C-3*	PVDF	3,000 (206)	-30 to 110 (-22 to 230)
	PCTFE		-30 to 160 (-22 to 320)
	PEEK	4,000 (275)	-40 to 210 (-40 to 410)

Options

Locking Nut & Panel Mounting

Ordering designator : P1
 Addition locking nut below handle makes the valve panel mountable.
 Disassemble the handle prior to panel mounting.

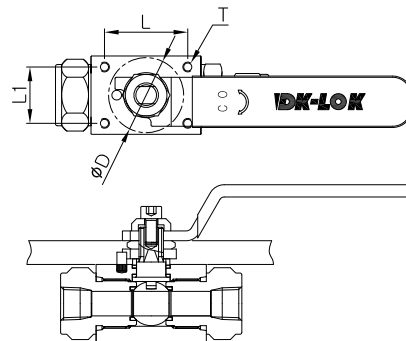
Valve Series	Panel Hole Drill	Panel Thickness
V86A	30.0 (1.18)	Max. 4.0 (0.157)
V86B	38.0 (1.50)	
V86C	38.0 (1.50)	



Screw Hole for Panel Mounting

Ordering Designator : P2
 Additional four (4) screw holes on the top of valve makes the valve panel mountable.
 Disassemble the handle prior to panel mounting.

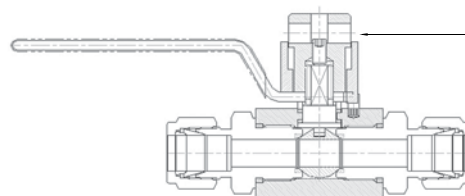
Valve Series	L	L1	T	D
V86A	34.0 (1.33)	23.0 (0.91)	M4×0.7P	30.0 (1.18)
V86B	36.0 (1.42)	29.0 (1.14)	M5×0.8P	38.0 (1.50)
V86C	40.0 (1.57)	35.0 (1.37)	M6×10.P	38.0 (1.50)



“Lift-Turn” Locking Device

Ordering Designator : LD
 Dk Tech patented “Lift-Turn” safety locking device allows you to lock the valve manually either in open or close position.
 The locking device consists of study upper and lower locking detents made out of stainless steel.

Note : LD option applicable to 2-way valves.



Pad-Lock applicable
 7.2mm (0.28in) hole
 constructed on upper
 locking detent.

You may apply a pad-lock to
 secure the valve in the open
 or close position.

Ordering Information

Select the desired basic ordering number, and options from designators listed below.

V86A-D-4T	-PC		-OH	-S
V86B-F-12N				-S
VC86B-D-12M		-PC		-S
	↓	↓	↓	↓
Seat	Panel Mounting	Locking Device	Handle	Body Material
Nil : PEEK, standard for VC86 series Nil : PVDF, standard for V86 series PC : PCTFE PK : PEEK PV : PVDF	P1 : Locking nut & panel mounting P2 : Screw hole for panel mounting	LD : Locking Device	Nil : Standard Lever Handle OH : Oval Handle OH option is applicable to 2-way V86A Series valves.	S : SS316

Safe Valve Selection

The selection of a valve for any application or system design must be considered to ensure safe performance. Valve function, valve rating, material compatibility, proper installation, operation and maintenance remain the sole responsibility of the system designer and the user. DK-Lok accepts no liability for any improper selection, installation, operation or maintenance.