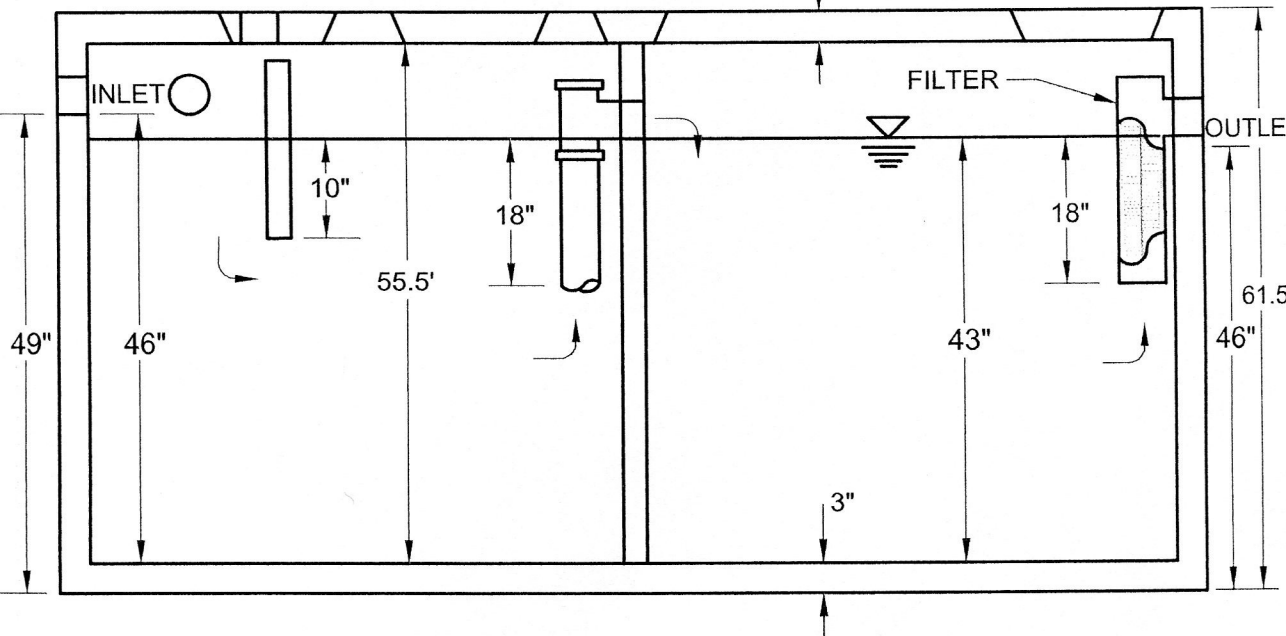


BAFFLE - CAST IN PLACE
 PIPE SEALS - HIGH PRESSURE BOOT
 TANK SEAL - FEDERAL SPEC. ASTM C990
 CONCRETE - STEEL REINFORCED
 - 28 DAY 6100 PSI

EACH CHAMBER
 527 GALLON
 12.1 GAL PER INCH



Concrete 1000 gal. Partition Tank With Effluent Filter

Lycoming, A division of Lycoming Burial Vault Co., Inc.

350 Spruce Street Montoursville, PA 17754

Phone: (570) 368-8642 Toll Free: (800) 640-0052 Fax: (570) 368-2299

