

Variable Area Flowmeter for Monitoring Gas Burners



measuring
•
monitoring
•
analyzing

UTS



- Air Measuring Range:
0.35...3.53 to 10.59...105 SCFH
- Accuracy Class:
4 According to VDI/VDE
- p_{\max} : 45 PSIG
- t_{\max} : 150 °F
- Connection:
M18 x 1.5 Axial or T Adapter
(1/4" NPT or G 1/4)
- Material: Ni-plated Brass,
304 or 316L Stainless Steel



KOBOLD companies worldwide:

ARGENTINA, AUSTRALIA, AUSTRIA, BELGIUM, BULGARIA, CANADA, CHILE, CHINA, COLOMBIA, CZECH REPUBLIC, EGYPT, FRANCE, GERMANY, HUNGARY, INDIA, INDONESIA, ITALY, MALAYSIA, MEXICO, NETHERLANDS, PERU, POLAND, REPUBLIC OF KOREA, ROMANIA, SINGAPORE, SPAIN, SWITZERLAND, TAIWAN, THAILAND, TUNISIA, TURKEY, UNITED KINGDOM, USA, VIETNAM

KOBOLD Instruments, Inc.
1801 Parkway View Drive
Pittsburgh, PA 15205
Main Office:
1.800.998.1020
1.412.788.4890
info@koboldusa.com
www.koboldusa.com

Description

The economical KOBOLD UTS is designed to monitor gas burners (e. g. oxygen, hydrogen, methane, inert gases). It works via the suspended float principle. The media enters through a 4 mm hole within the M18x1.5 connection and exits through six holes concentrically positioned around the inlet hole. This special connection is made especially for the UTS and is also provided with a special seal. For horizontal installations, a required 1/4" NPT or G 1/4 adapter is optionally available. Because of the compact design, the UTS is an optimal choice for small installation spaces. It also features a borosilicate glass measuring tube that is easy to exchange. The armature is made of nickel plated brass or stainless steel with impact resistant polystyrene protection.



Technical Details

Installation Position: Vertical, Flow from Bottom
Accuracy Class: 4 According to VDI/VDE 3513
Max. Pressure: 45 PSIG
Process Temperature: 32...150 °F
Ambient Temperature: 32...120 °F
Connections
without Adapter: M18x1.5 Axial
with Adapter: G 1/4 or 1/4" NPT (for Horizontal Pipes)
Protection: IP 65

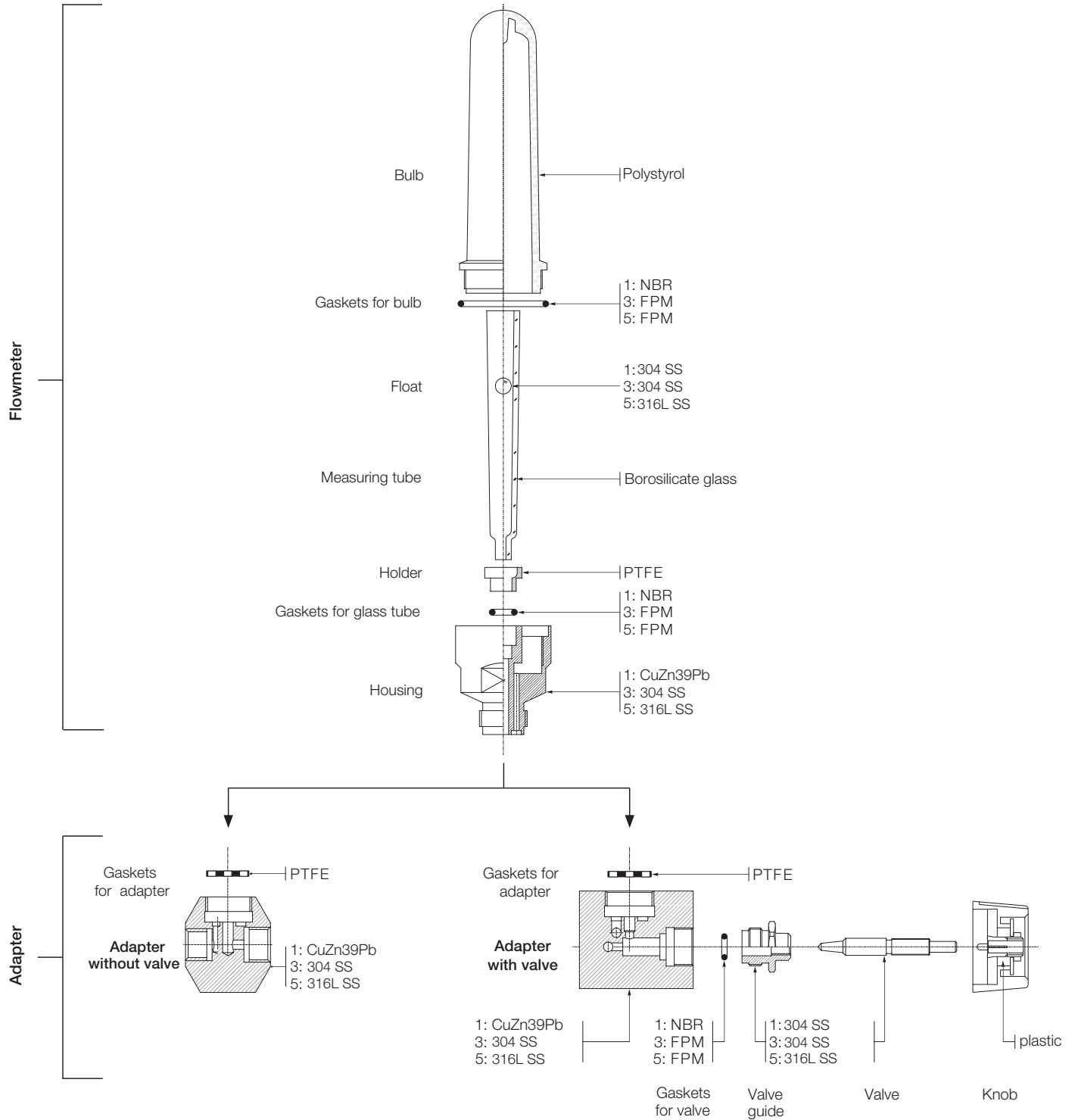
Materials

Fitting: Ni-plated Brass, 304 or 316L Stainless Steel
Measuring Tube: Borosilicate Glass
Bulb: Polystyrene
Float: 304 or 316L Stainless Steel
O-ring: NBR or FKM, model dependant
Material Combinations: See Table Below

Material Combination

Model	Housing	Valve	Float	Gasket	Measuring Tube	Bulb
UTS-1	Ni-plated Brass	304 SS	304 SS	NBR	Borosilicate Glass	Polystyrene
UTS-3	304 Stainless Steel			FKM		
UTS-5	316L Stainless Steel	316L SS	316L SS			

Material Diagram





Variable Area Flowmeter Model UTS

Order Details Flowmeter (Example: UTS-1 10A 0N2L)

Model	Housing	Air Measuring Ranges ²⁾ (SCFH)	Connection ¹⁾ /Flow Direction	Option
UTS-..	..1.. = Ni-plated Brass ..3.. = 304 Stainless Steel ..5.. = 316L Stainless Steel	..10A.. = 0.40...4.0	<u>Without Adapter</u> ..0000 = M18x1.5, from Bottom	..0 = Without ..Y = Special (Please Specify)
		..12A.. = 0.63...6.3	<u>With Adapter, Without Valve</u> ..0I2L = G 1/4 Adapter, from Left ..0I2R = G 1/4 Adapter, from Right	
		..14A.. = 1.0...10	..0N2L = 1/4" NPT Adapter, from Left ..0N2R = 1/4" NPT Adapter, from Right	
		..16A.. = 1.6...16	<u>With Adapter, With Valve</u> ..1I2L = G 1/4 Adapter, from Left ..1I2R = G 1/4 Adapter, from Right	
		..18A.. = 2.5...25	..1N2L = 1/4" NPT Adapter, from Left ..1N2R = 1/4" NPT Adapter, from Right	
		..20A.. = 4.0...40		
		..22A.. = 6.3...63		
..24A.. = 10...100				
..YYY ³⁾ .. = Custom Range				

¹⁾ Adapter material same as housing material.

²⁾ At 1.013 bar abs and 20 °C

³⁾ Specify the following on your quotation request or your order: media with density & viscosity (if not a commonly known gas), operating downstream pressure & temperature, and the full scale value with requested units of measure (i.e. Argon, 20 psi, 50 °F, 350 NLPH)

Dimensions

