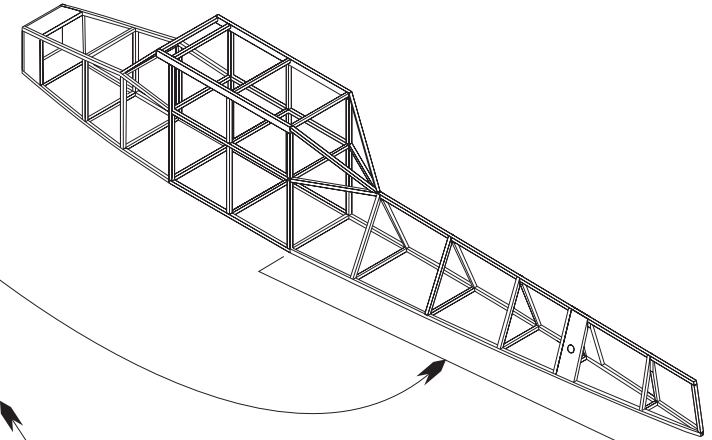




NOTE: ALL STRUCTURE IS 1/16 SQ UNLESS OTHERWISE NOTED.

BUILD BOTTOM REAR OF FUSELAGE ON TOP VIEW. AFTER ALL CROSS PIECES HAVE BEEN ADDED, SHIM AT REAR TO 3/8". ADD TOP KEEL AND REAR VERTICAL AS AN ASSEMBLY. LAST, ADD THE VERTICAL PIECES TO EACH SIDE. ADD GUSSETS.

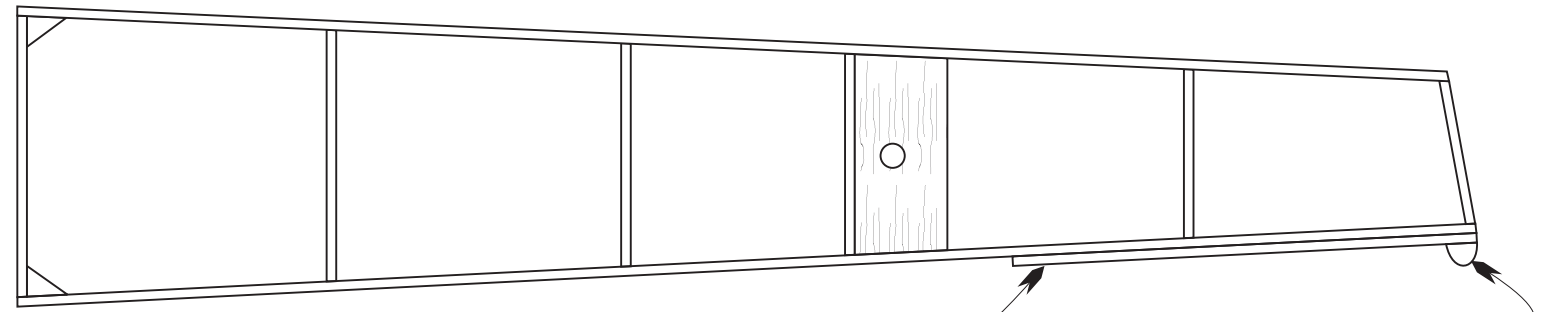
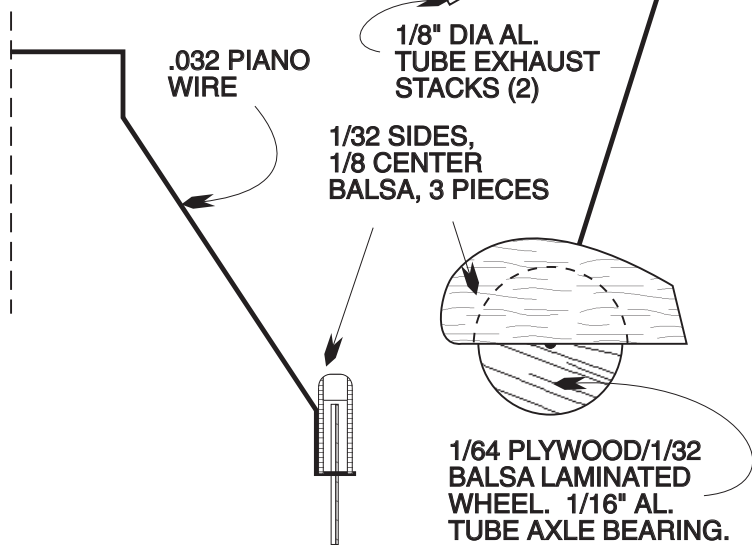
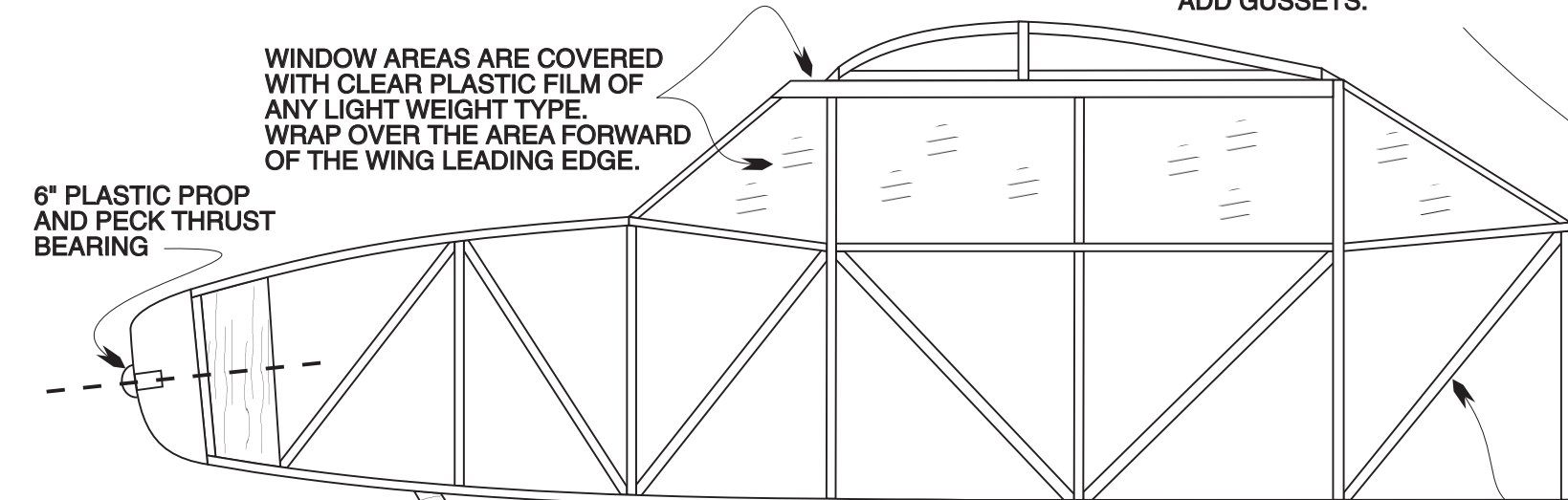


TRIANGULAR CROSS SECTION STARTING AT THIS POINT

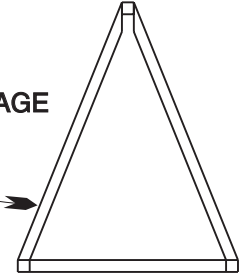
ADD THIS PIECE AFTER THE FUSELAGE IS ASSEMBLED

WINDOW AREAS ARE COVERED WITH CLEAR PLASTIC FILM OF ANY LIGHT WEIGHT TYPE. WRAP OVER THE AREA FORWARD OF THE WING LEADING EDGE.

6" PLASTIC PROP AND PECK THRUST BEARING



TYPICAL REAR FUSELAGE CROSS SECTION

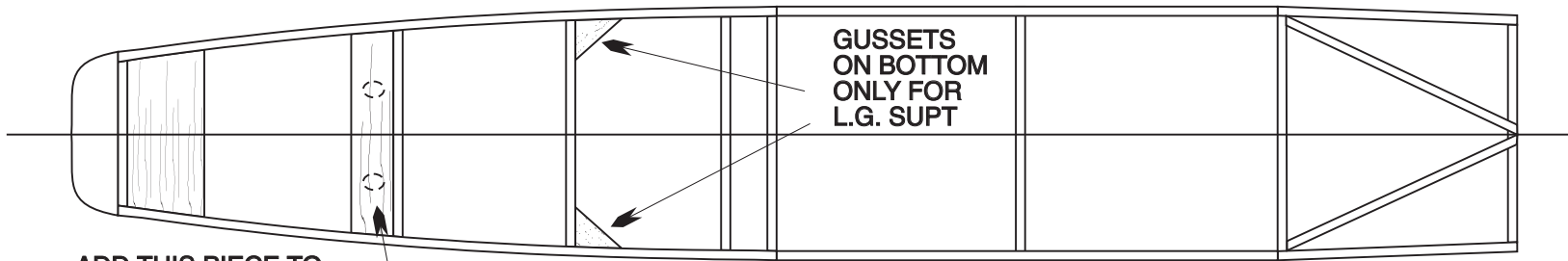
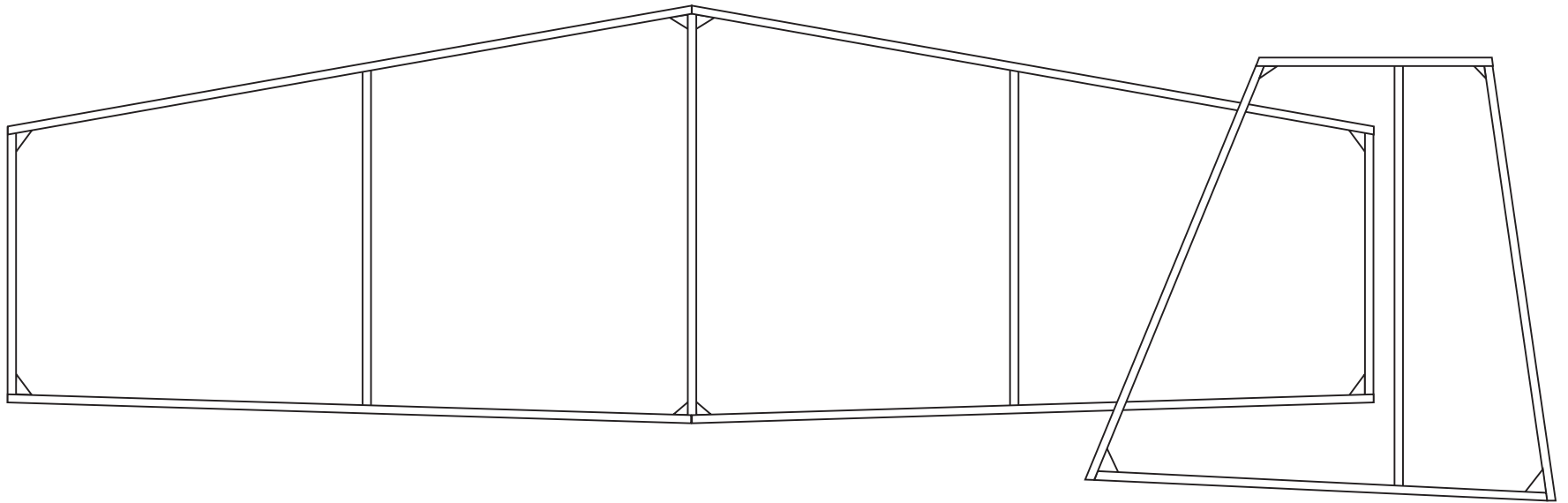


STAB LOCATION

1/64 PLY SKID

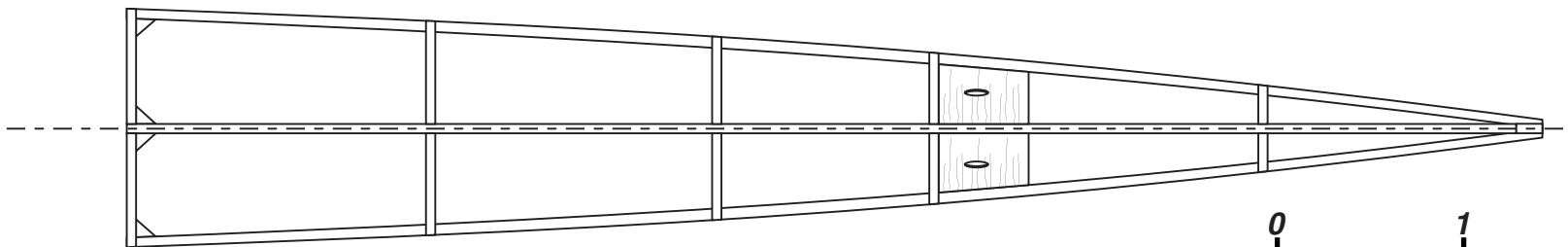
The DREAMER
Designed and Drawn by
Paul Bradley
9/95

SHEET 1 OF 3 FROM INTERNET DOWNLOAD



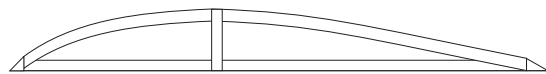
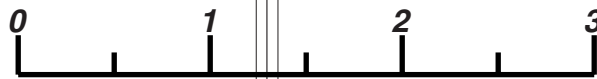
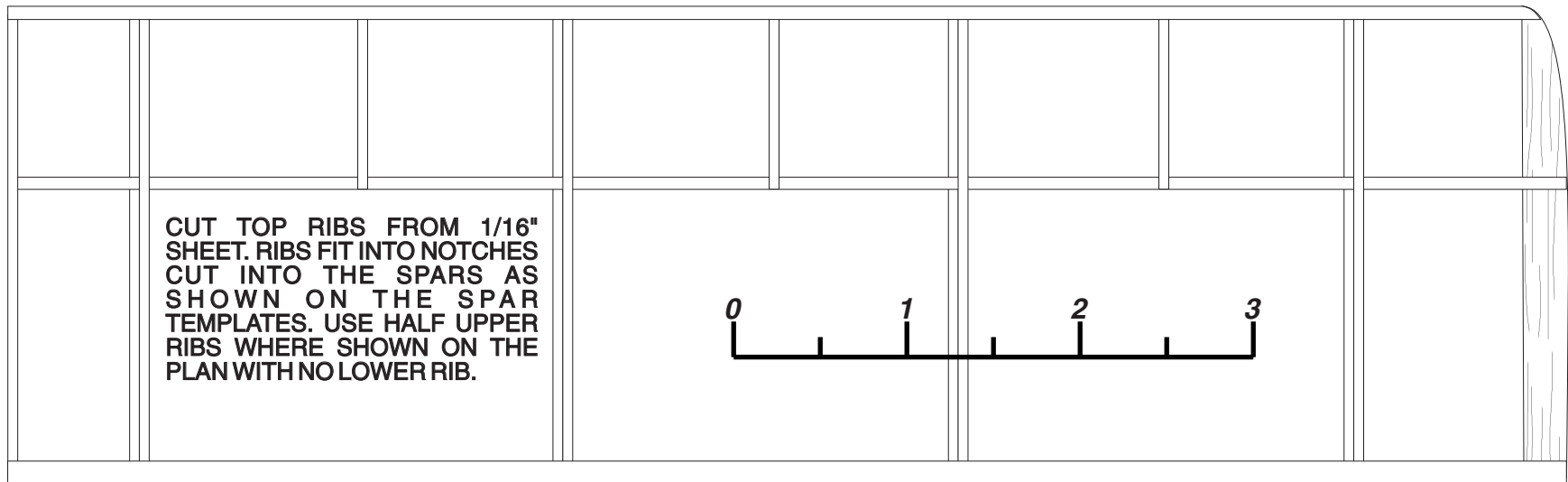
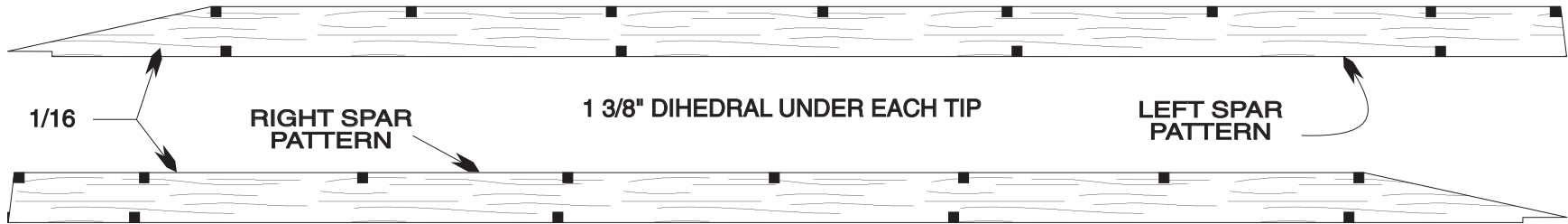
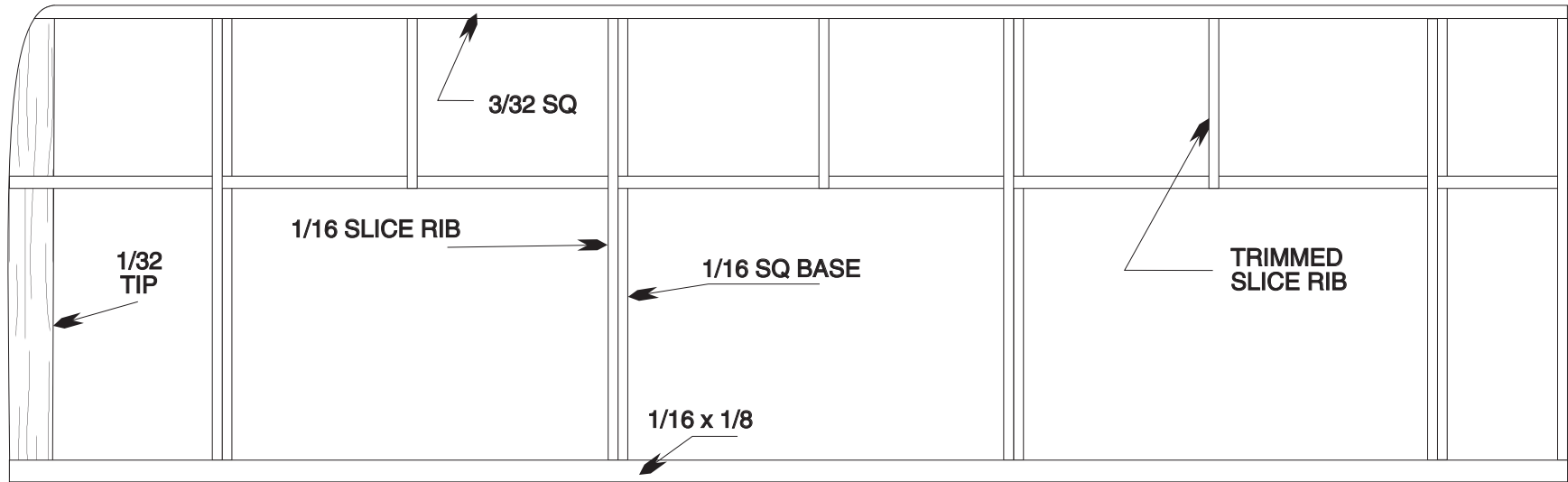
ADD THIS PIECE TO
BOTTOM ONLY.
EXHAUST STACK
SUPPORT.

GUSSETS
ON BOTTOM
ONLY FOR
L.G. SUPT



The DREAMER
Designed and Drawn by
Paul Bradley
9/95

SHEET 2 OF 3 FROM INTERNET DOWNLOAD



1/16" SQUARE BASE RIB



SLICE RIB PATTERN

The DREAMER
 Designed and Drawn by
 Paul Bradley
 9/95