



Indoor External Antenna

Ceiling-Mount Antenna



Technical Specifications

Electrical

Frequency: 863 - 930MHz

Peak Gain:

2.1 dBi @ 863~865 MHz

2.7 dBi @ 900~930 MHz

VSWR: 2.0:1 (Max.)

Half Power Beam Width: $83^{\circ} \pm 3^{\circ}$

Polarization: Linear, Vertical

Impedance: 50 Ohm

Power Handling: 10W (cw)

Connector: N Jack

Environmental & Mechanical Characteristics

Temperature: -20°C ~ 65°C

Radome Color: White

Radome Material: ABS, UL94V0

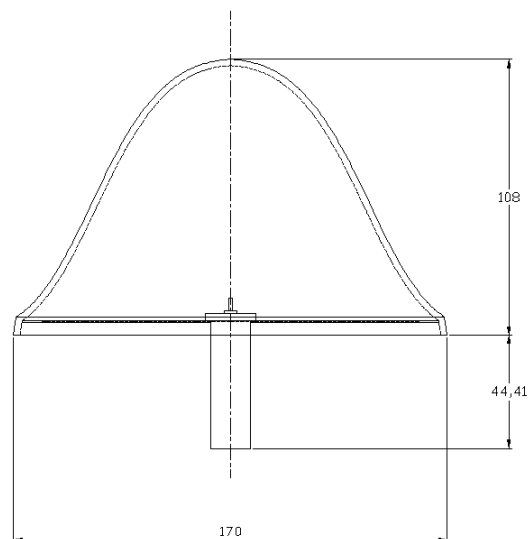
Weight (Unit): 320g

Dimensions: $\varphi 170 \times 108$ mm

Overview

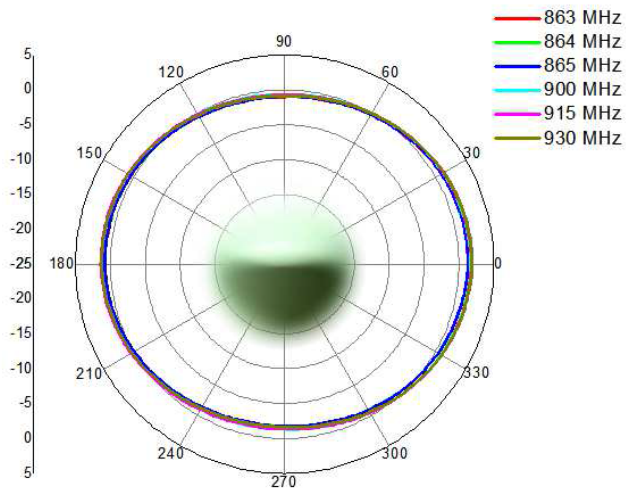
- Frequency Band: 863 ~ 930 MHz
- Ceiling-mount for indoor application

Dimensions

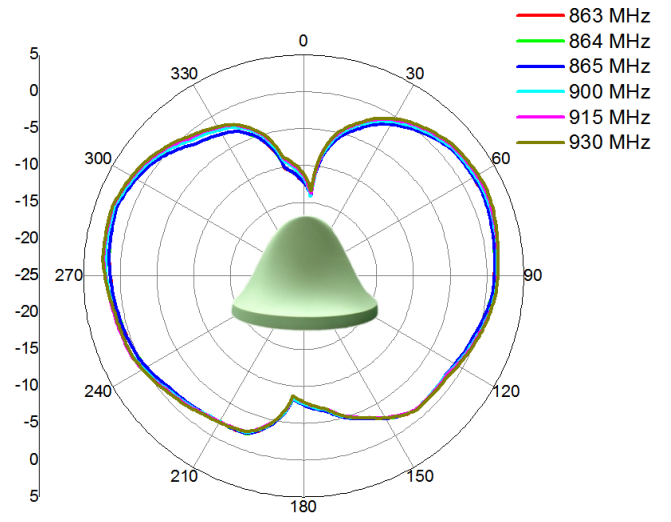


Test Pattern

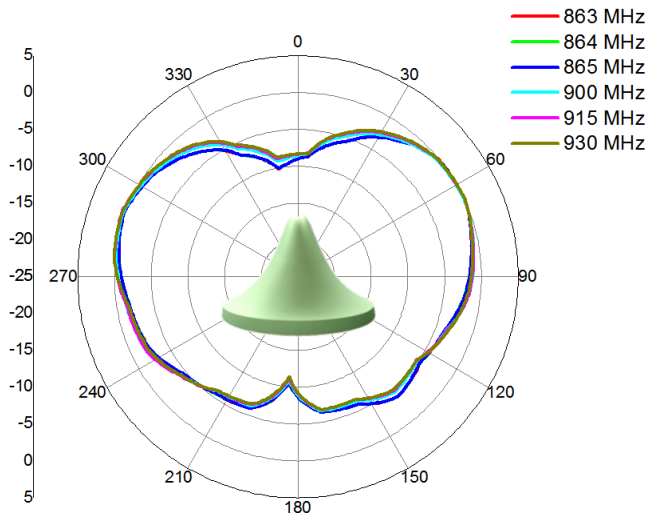
H-Plane Pattern(X-Y Cut)



V-Plane Pattern(X-Z Cut)



V-Plane Pattern(Y-Z Cut)



Test Data

Tested device: FreeStyl 1

H/S used short antenna, Base located in center of 7F, connected in two conditions:

Installation-1 with original antenna		Installation-2 with SN-UL-AK20L-IND	
Test Point	HS RSSI	Test Point	HS RSSI
7F	-85	7F	-79
6F	-94	6F	-88
5F	-96	5F	-94
4F	-98	4F	-95
3F	-103	3F	-99
2F	-100	2F	-97
1F	-98	1F	-94
1F/B1	no link	1F/B1	-107

Application

1. Mainly for indoor usage, ex. 50,000~100,000 sq. ft. warehouse retail store.
2. In order to get best performance, the recommended installation of SN-UL-AK20L-IND is to mount as high as possible on ceiling.



EnGenius Technologies | 1580 Scenic Ave. Costa Mesa, CA 92626

Email: partners@engeniustech.com | Phone: 888-735-7888 | Website: engeniustech.com

Version 1.2.09/07/2017

Features and specifications subject to change without notice. Trademarks and registered trademarks are the property of their respective owners. For United States of America: Copyright © 2017 EnGenius Technologies, Inc. All rights reserved.