

MULTI-TECH

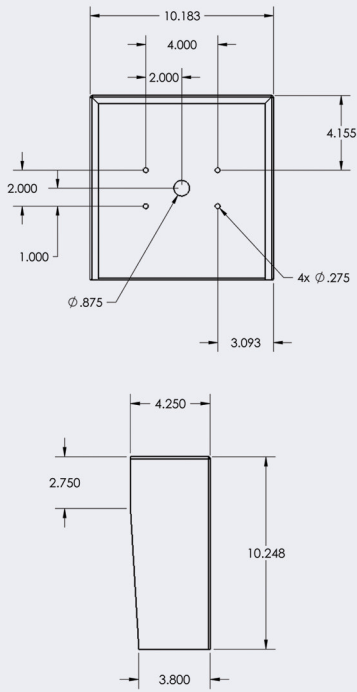
Reader

Access Terminal



Amano McGann Multi-Tech readers offer unparalleled versatility to read a wide variety of card technologies in a single reader. The readers are available in Dual, Triple or Quattro configurations to support magnetic stripe, proximity, AVI, barcode and smartcard technologies. These readers are ideal for mixed-use facilities where multiple card technologies are required to accommodate monthly, hotel, valet, temporary, event and visitor parking. Amano McGann software applications provide expanded access control options and reporting for debit or value card programs, credit card acceptance, one-time-use, and auto-activation solutions.

Reader
MULTI-TECH



FEATURES

- Micro-controller driven technology* ◀
- 1000 transaction off-line buffer* ◀
- Real-time clock with battery backup* ◀
- Dual, Triple, and Quattro reader configurations* ◀
- Supports Magnetic Stripe, AVI, Barcode, Proximity, and Smartcard* ◀
- Mix and Match reader technologies based on applications* ◀
Hotel, Special Event, Visitor, Contract/Monthly, Valet, Toll Tag,
Temporary Cards, Credit Card, Debit/Value Cards
- Automatic switch to standalone mode if communications are interrupted* ◀
- Built-in diagnostics test reader performance* ◀
- Remote control of gates and peripheral device from Amano McGann Software* ◀
- Hard, soft, true or timed anti-passback – Requires software* ◀
- Reader can accommodate 65,000 to 1 million card IDs based on format* ◀
- Optional 2-line (20 character/line) LCD display w/LED backlight* ◀
- Optional Intercom* ◀

REPRESENTED BY:

STANDARD CONFIGURATION

TYPE

- Dual Technology** – Std. 10" x 10" x 4 1/4" enclosure supports up to **two** technologies (Proximity, Magnetic Stripe, Barcode, AVI, Smart Card)
- Triple Technology** – Std. 10" x 10" x 4 1/4" enclosure supports up to **three** technologies (Proximity, Magnetic Stripe, Barcode, AVI, Smart Card)
- Quattro Technology** – Std. 10" x 10" x 4 1/4" enclosure supports up to **four** technologies (Proximity, Magnetic Stripe, Barcode, AVI, Smart Card)

CUSTOM OPTIONS

MAGNETIC STRIPE CUSTOM FORMAT/TYPE

- Track II – Std. Track I Track III Other _____

PROXIMITY OPTIONS

- Indala-S Indala-M Indala-E
 HID-S HID-M HID-E Other _____

BARCODE OPTIONS

- Code 39 Code 2 of 5 Code – 128 Other _____

DISPLAY OPTION

- Standard Display: 2-Line/20 Character 3.2"W x .7"H (Character Size .13"W x .22"H)

INTERCOM OPTION

- Std. Intercom Speaker/Button Custom Dial-up Custom _____

FIRMWARE

- Standard JIS Credit Card Custom _____

ENCLOSURE

- Standard 10x10 Custom _____

ENCLOSURE COLOR

- White Silver Custom _____

SPECIFICATIONS

ENCLOSURE DIMENSIONS

10"L x 10"H x 4 1/4"D

WEIGHT

8 lb. (approx)

POWER

120 VAC (12 VAC 800mA) power supply Optional heater supply

MOUNTING

Pedestal, wall mount, or counter mount

OPERATING TEMPERATURE

-20° to 140°F/-30° to 60°C

HUMIDITY

95% non-condensing

READER TECHNOLOGY

Magnetic Stripe/track II weather resistant, proximity, AVI, contactless smart card and barcodemart card and barcode

Specifications are approximate and are subject to change without notice.

AMANO McGANN®

Corporate Headquarters 651 Taft Street NE, Minneapolis, MN 55413
Tel: (612) 331-2020 www.amanomcgann.com