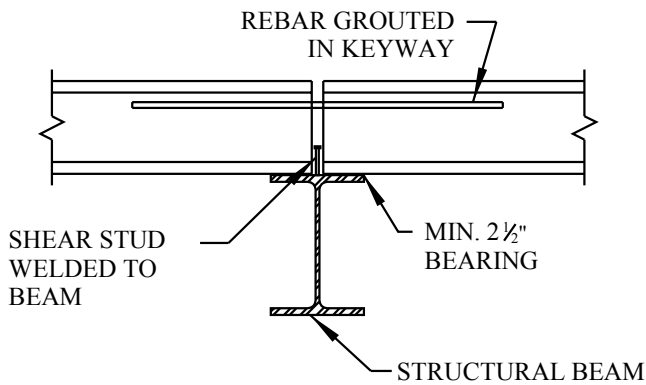
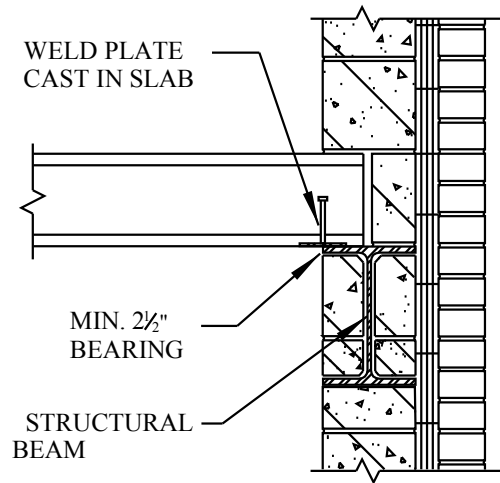


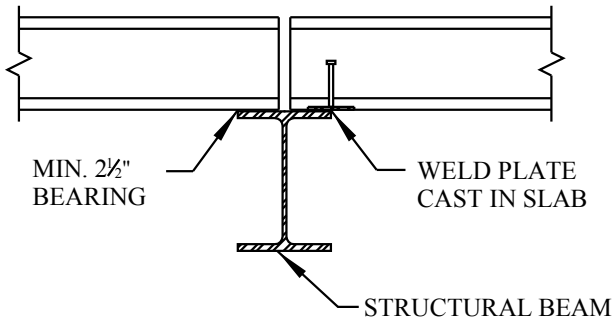
# COREFLOOR ON STRUCTURAL STEEL



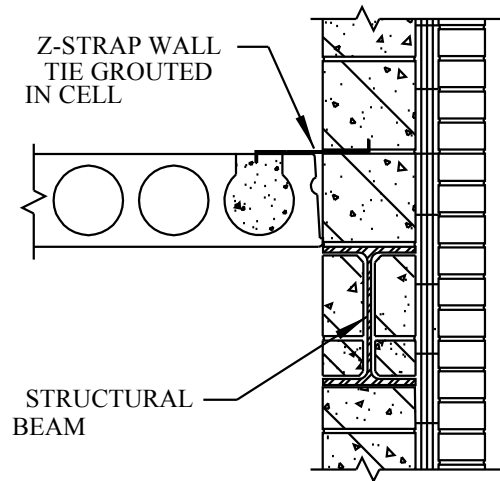
**INTERIOR BEAM TOP BEARING-REBAR**



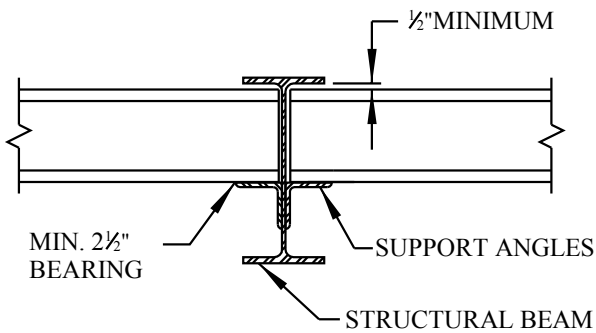
**EXTERIOR BEAM END BEARING**



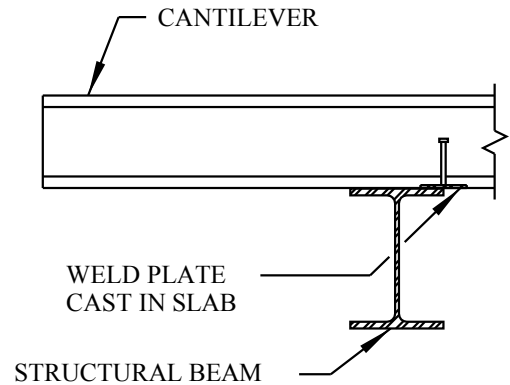
**INTERIOR BEAM TOP BEARING-WELD PLATE**



**EXTERIOR BEAM SIDE BRACING**



**INTERIOR BEAM WITH SHELF ANGLES**



**CANTILEVER WITH BEAM BRACING**