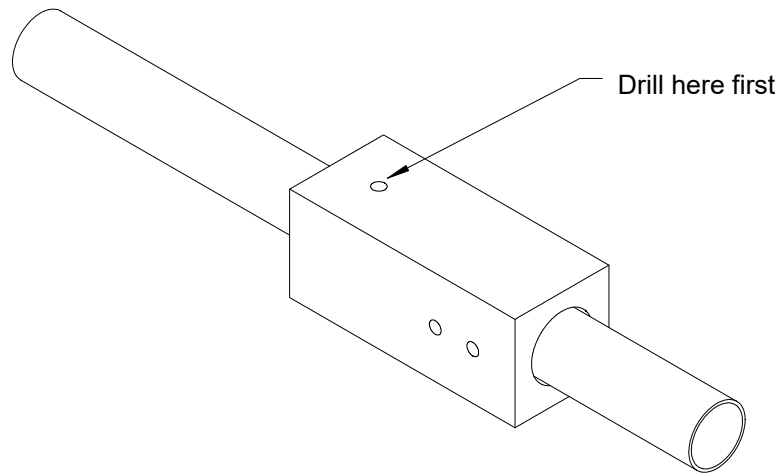
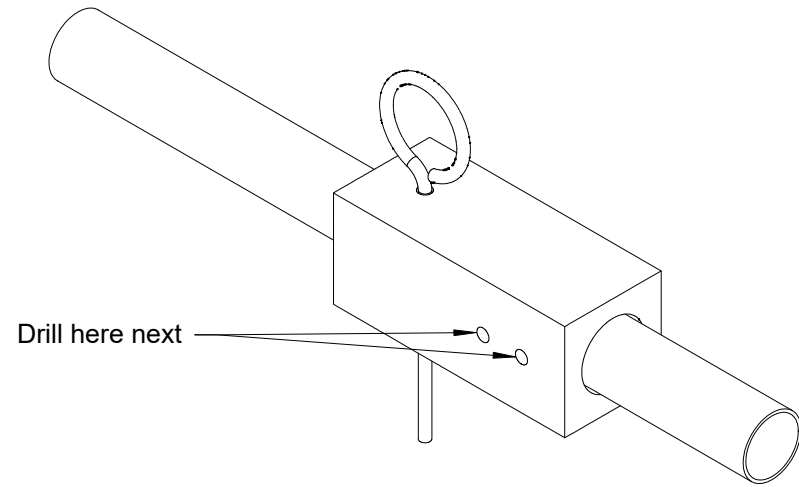


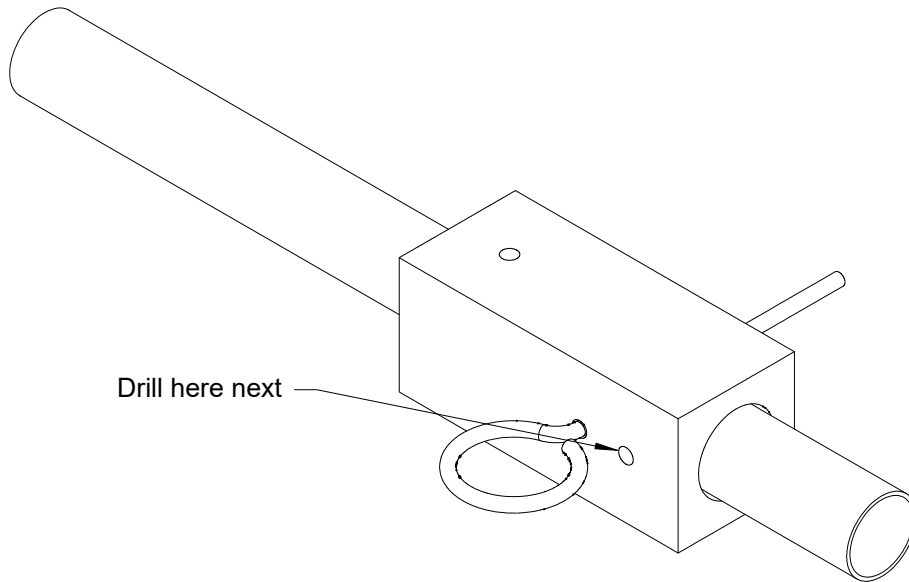
HOW TO USE THE TAIL SUPPORT TUBE DRILL JIG



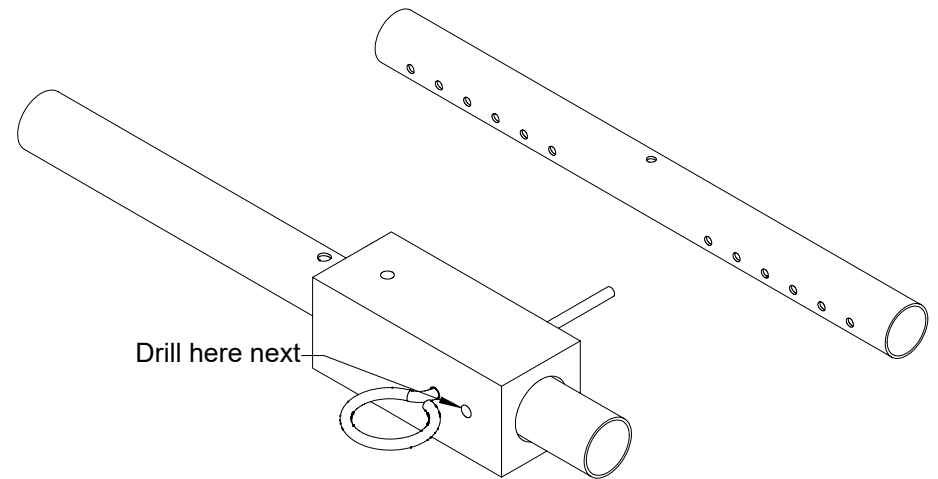
Place the drill guide on the 3/8" brass tube so the single hole is centered on the length of the tube. Drill a 1/16" diameter hole through the tube using the single hole in the drill guide as shown.



Insert a length of 1/16" piano wire in the hole just drilled. Now drill two 1/16" diameter holes using the two holes in the drill guide as shown.

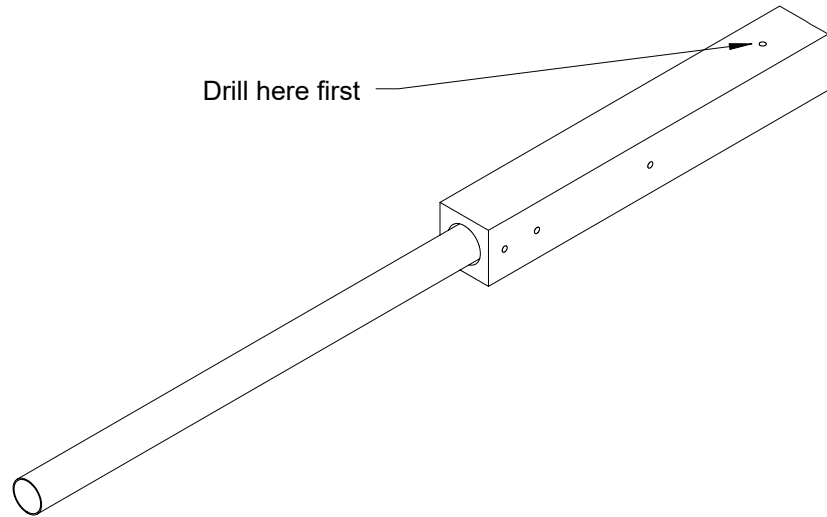


Remove the 1/16" piano wire. Move the drill jig so the hole of the two hole pair that is closest to the center lines up with the outer hole of the two just drilled. Insert the 1/16" piano wire in the inner hole as shown. Drill another 1/16" diameter hole using the outer hole of the drill guide.

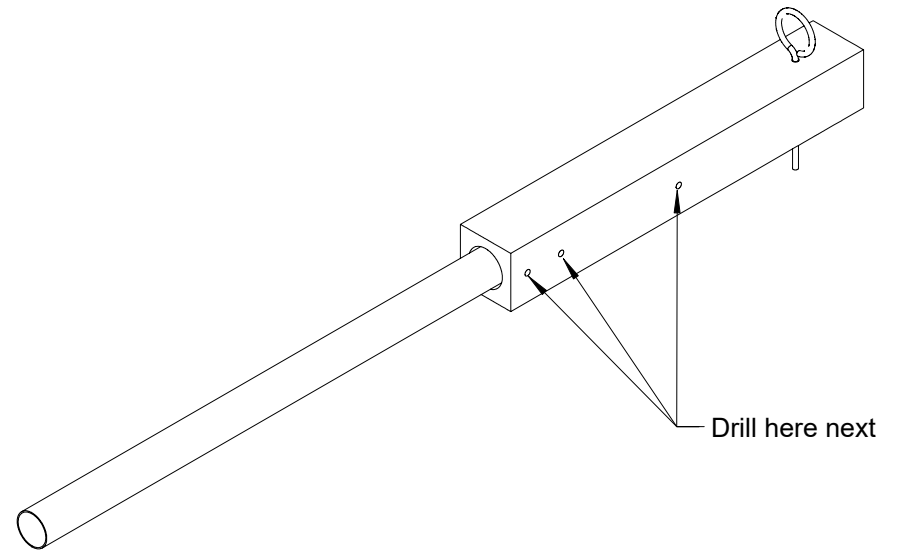


Remove the 1/16" piano wire. Move the drill jig so the hole of the two hole pair that is closest to the center lines up with the outer hole just drilled. Insert the 1/16" piano wire in the inner hole as shown. Drill another 1/16" diameter hole using the outer hole of the drill guide. Repeat the process until all the holes on one side are drilled. Flip the drill jig and pin it with the center hole using the 1/16" piano wire. Repeat the cross drill process until the opposite side has all of the holes drilled.

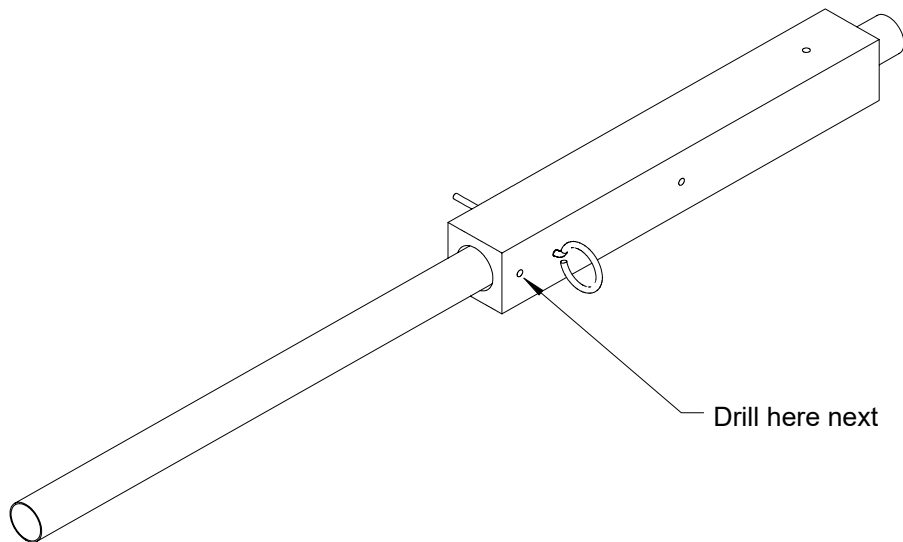
HOW TO USE THE 7/16" SUPPORT TUBE DRILL JIG



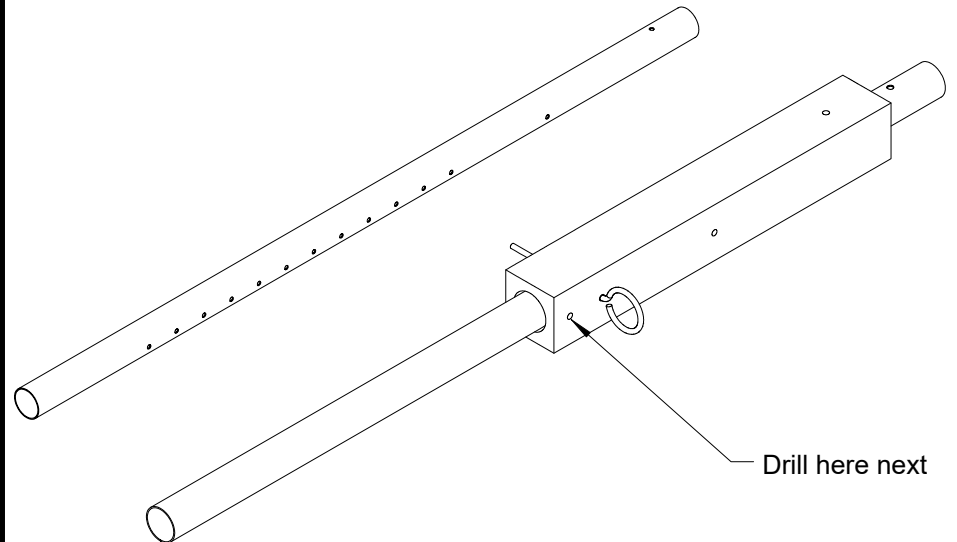
Place the drill guide on the 7/16" brass tube so the single hole flush with one end of the tube. Drill a 1/16" diameter hole through the tube using the single hole in the drill guide as shown.



Insert a length of 1/16" piano wire in the hole just drilled. Now drill three 1/16" diameter holes using the three holes in the drill guide as shown.



Remove the 1/16" piano wire. Move the drill jig so the hole of the two hole pair that is closest to the center lines up with the outer hole of the two just drilled. Insert the 1/16" piano wire in the inner hole as shown. Drill another 1/16" diameter hole using the outer hole of the drill guide.



Remove the 1/16" piano wire. Move the drill jig so the hole of the two hole pair that is closest to the center lines up with the outer hole just drilled. Insert the 1/16" piano wire in the inner hole as shown. Drill another 1/16" diameter hole using the outer hole of the drill guide. Repeat the process until all the holes are drilled. Use the drill jig with one hole to drill the single 1/16" diameter hole in the outer support tube.