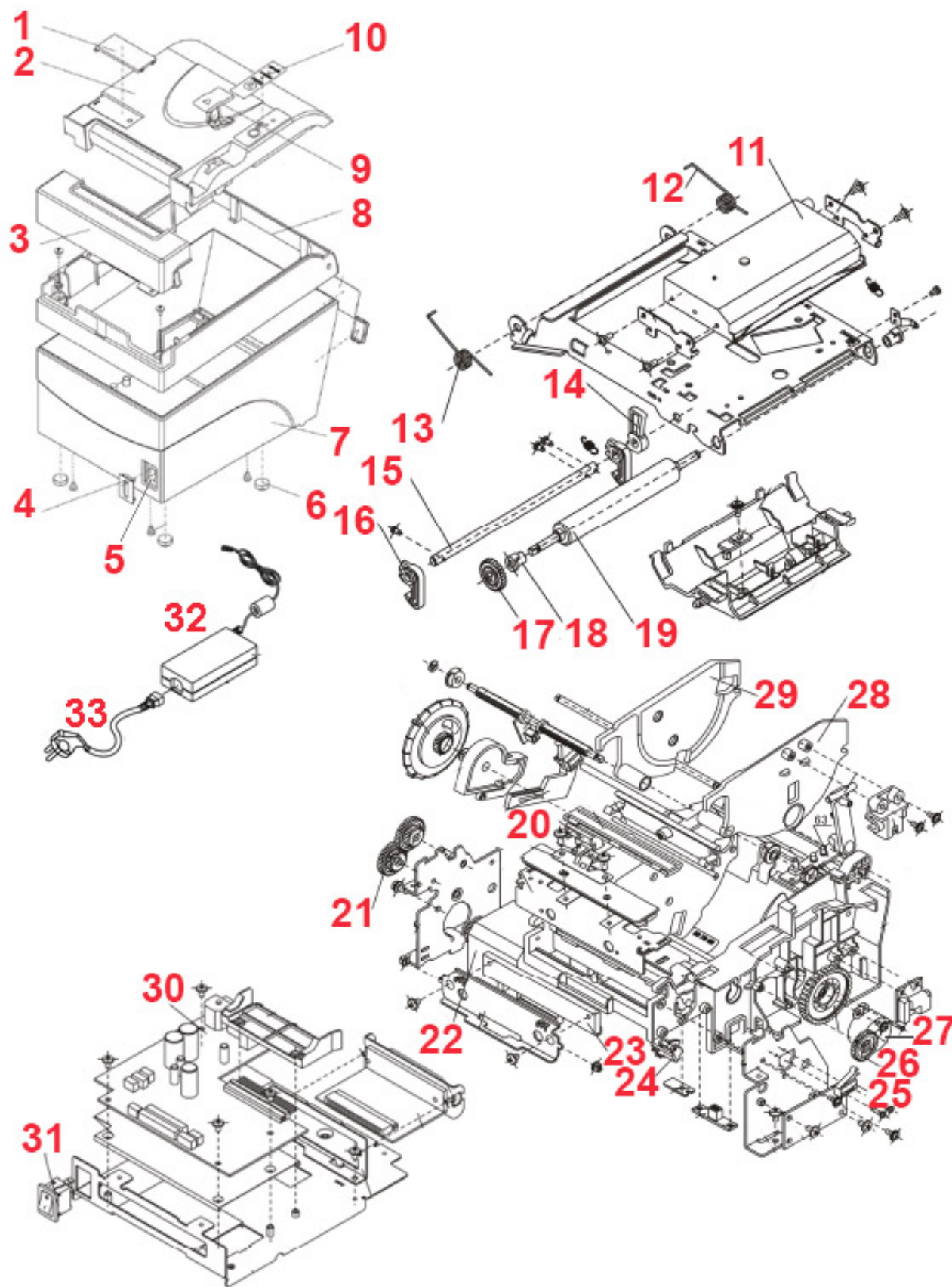


BTP-R980 Replacement Parts



Ref. No.	CRS Item No.	Description
01	132160	Logo Plate
02	132517	Cover, Top Black BTP-R980
03	132518	Cover, Cutter Black BTP-R980
04	132482	Switch, Power Black BTP-R880/980/990
05	132482	Switch, Power Black BTP-R880/980/990
06	132138	Rubber Foot BTP-580
07	132520	Cover, Bottom Black BTP-R980
08	132521	Cover, Middle Black BTP-R980
09	132522	Cover, Open Lever Black BTP-R980
10	132523	Label, Button Black BTP-R980
11	132513	Cutter Assy BTP-R980
12	417086	Spring Top Cover 2 BTP-R980
13	417079	Spring Top Cover 1 BTP-R980
14	417082	Lever, Mechanism BTP-R980
15	417080	Latch Axis BTP-R980
16	417081	Latch BTP-R980
17	417083	Platen Roller Gear BTP-R980

Ref. No.	CRS Item No.	Description
18	417084	Platen Roller Sleeve BTP-R980
19	417085	Platen Roller BTP-R980
20	132511	Sensor, Mark BTP-R980
21	417053	Gear, First Reduction BTP-2002NP
22	132407	Motor, Step BK-L216
23	132508	Print Head BTP-R980
24	132510	Paper End Sensor BTP-R980
25	132484	Switch, Micro BTP-R880np
26	417031	PF Transmission Gear BTP-M280
27	132516	Buzzer BTP-R980
28	417087	Right Paper Guide BTP-R980
29	417088	Left Paper Guide BTP-R980
30	132514	Logic Board BTP-R980
31	132482	Switch, Power Black BTP-R880/980/990
32	132150	Power Supply BTP-2002/M280/R880
33	250014	Cord Power UL 6'