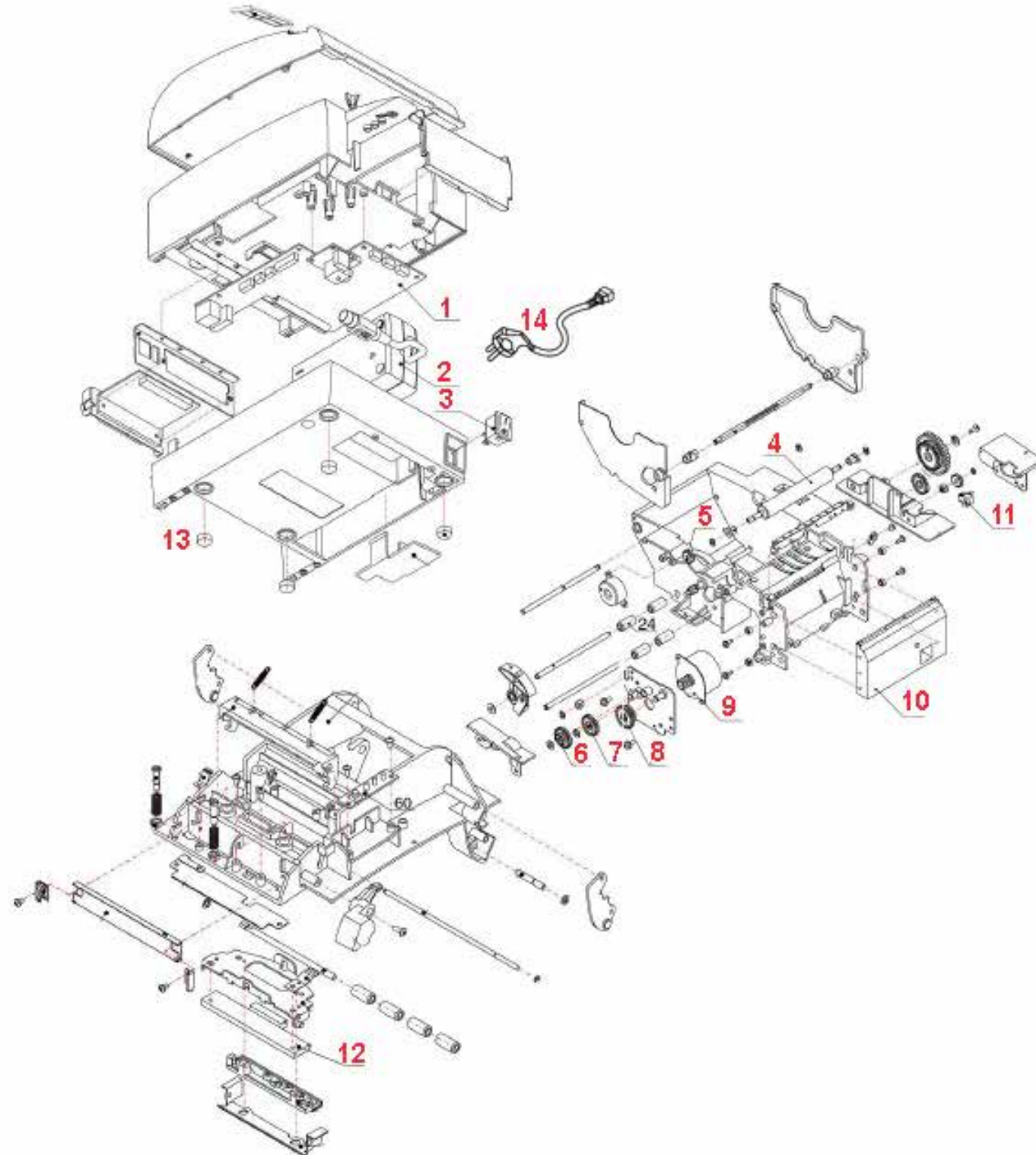


BTP-R580II Replacement Parts



Ref. No.	CRS Item No.	Description
01	132529	Logic Board BTP-R580-II
02	132532	Power Adapter BTP-R580-II
03	132530	Switch, Power Black BTP-R580-II
04	132526	Platen Roller BTP-R580-II
05	417076	Gear Platen Roller BTP-R580-II
06	417078	Paper Press Wheel BTP-M300
07	417031	Pf Transmission Gear BTP-M280

Ref. No.	CRS Item No.	Description
08	417077	Holder, Paper Press Wheel BTP-M300
09	417051	Motor, Step BTP-2002
10	501452	Auto Cutter Assy BTP-2002
11	501470	Micro Switch BTP-R580
12	501559	Tph, BTP-R880/580II
13	132138	Rubber Foot BTP-580-II
14	250014	Cord Power UL 6'