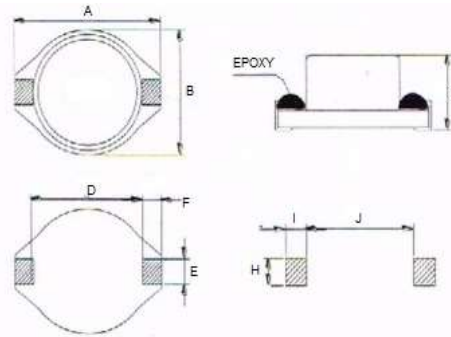


# Surface Mount Shielded Inductor WO20S-LF

WO20S SERIES



Dimensions

Unit mm

A max.	B max.	C max.	D	E	F	H	I	J
6.60	4.45	2.92	4.32	1.27	1.02	3.58	1.40	4.08

Wilco Part Number	Inductance uH	Tolerance %	DCR Max Ohms	SRF (nom) Mhz	Rated Current (mA)
WO20S-1R0M-LF	1.0	20%	0.040	250.0	3000
WO20S-1R5M-LF	1.5	20%	0.045	125.0	2800
WO20S-2R2M-LF	2.2	20%	0.050	120.0	1800
WO20S-3R3M-LF	3.3	20%	0.055	120.0	1600
WO20S-4R7M-LF	4.7	20%	0.060	105.0	1400
WO20S-6R8M-LF	6.8	20%	0.065	50.0	1200
WO20S-100M-LF	10.0	20%	0.075	38.0	1000
WO20S-150M-LF	15.0	20%	0.090	33.0	800
WO20S-220M-LF	22.0	20%	0.110	25.0	700
WO20S-330M-LF	33.0	20%	0.190	20.0	600
WO20S-470M-LF	47.0	20%	0.230	20.0	500
WO20S-680M-LF	68.0	20%	0.290	15.0	400
WO20S-101M-LF	100.0	20%	0.480	10.0	300
WO20S-151M-LF	150.0	20%	0.590	9.0	260
WO20S-221M-LF	220.0	20%	0.770	6.0	220
WO20S-331M-LF	330.0	20%	1.400	5.0	200
WO20S-471M-LF	470.0	20%	1.800	4	190
WO20S-681M-LF	680.0	20%	2.200	3	180
WO20S-102M-LF	1000.0	20%	3.400	2	150
WO20S-152M-LF	1500.0	20%	4.200	2	120
WO20S-222M-LF	2200.0	20%	8.500	2	100
WO20S-332M-LF	3300.0	20%	11.000	1	80
WO20S-472M-LF	4700.0	20%	13.900	1	60
WO20S-682M-LF	6800.0	20%	25.000	1	40
WO20S-103M-LF	10000.0	20%	32.800	0.8	20

### Features:

- Small size allows for high mounting density, magnetically shielded against radiation
- Suitable for Re-flow Solder
- Large DC current capability with low DC resistance
- Embossed carrier tape
- Suitable for pick and place automation

### Applications:

- Telecommunications
- Ideal for handheld devices
- DC/DC converters
- Computers
- Filters

### Notes:

- Operating Temperature Range: -40 C to 85 C
- Test Frequency: (L) @ 100 Khz 0.1 Vrms  
Electrical Specs: 25 C
- Temperature Rise: 30 C  
Packaging: 2000 per reel