



Outdoor External Antenna

Monopole Antenna



Technical Specifications

Electrical

Frequency: 902 ~ 928MHz

Peak Gain: 6.0 dBi @ 900~930 MHz

VSWR: ≤ 2.0

Polarization: Linear, Vertical

Impedance: 50 Ohm

Connector: Reversed N Jack

Environmental & Mechanical Characteristics

Temperature: -20°C ~ 65°C

Color:

Body - White Chrome Plated

Contact - Gold Plated

Material:

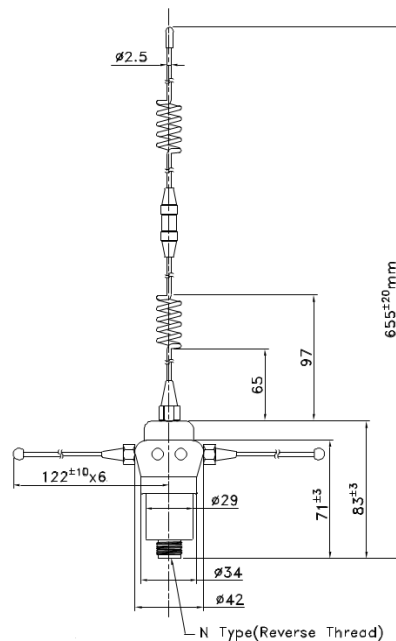
Body - Brass

Contact - Beryllium Copper

Insulator - Teflon or Delrin

Weight: 373.5g

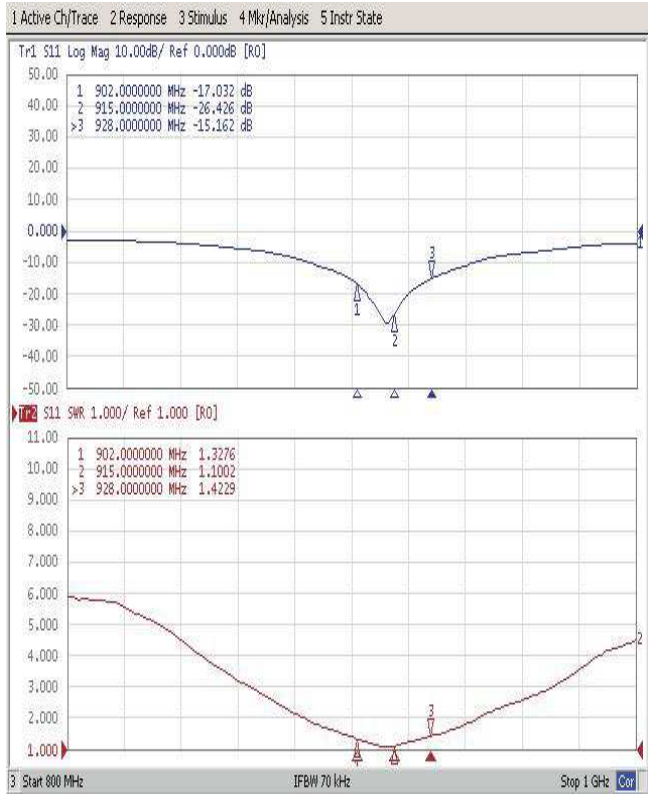
Dimensions



Overview

- Frequency Band: 902 ~ 928 MHz
- Monopole for outdoor application

Test Report – Return Loss & V.S.W.R.



Application



EnGenius Technologies | 1580 Scenic Ave. Costa Mesa, CA 92626

Email: partners@enginustech.com | Phone: 888-735-7888 | Website: enginustech.com

Version 1.2.09/07/2017

Features and specifications subject to change without notice. Trademarks and registered trademarks are the property of their respective owners. For United States of America: Copyright © 2017 EnGenius Technologies, Inc. All rights reserved.