

AMG-4000

Series



Exit Station
with optional Barcode
Matrix Scanner

FlexScan™ QR400



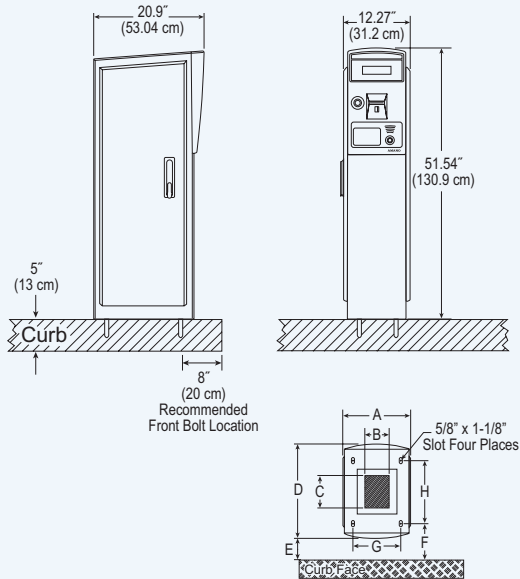
The AMG-4000 Series Exit Station is designed for multiple uses, typically at the unattended exits of a parking facility. The exit station accepts entry tickets and validation coupons, calculates parking fees, accepts and processes credit cards and issues receipts.

The integrated FlexScan™ QR400 extends the functionality of the standard exit station adding the capability to scan linear and QR barcodes. Credentials can be scanned from various printed and electronic media formats including paper, event tickets, ID badges and smartphones.

Utilize the iConnect® Interface tool for custom integration with your IT operation. Control the process all the way to the lane.



Series
AMG-4000



CONFINE RIGID CONDUIT NO MORE THAN 2" (5 cm) HIGH IN THIS AREA.

A = 12.27" (31.2 cm) C = 8" (20.32 cm) *E = 5" (13 cm) G = 7.48" (19 cm)
 B = 4" (10.16 cm) D = 20.9" (53.04 cm) *F = 8" (20 cm) H = 11.75" (29.8 cm)
 *Recommendation only. Installation requirements may vary.

FEATURES

- Increased throughput provides rapid exit from your facility ◀
- Increased exit lanes with no added labor costs ◀
- Field programmable operation utilizing handheld wireless remote control ◀
- Secure – no cash collected, no cash available ◀
- Uses common hardware components (RWPV-based) for fewer inventoried parts and reduced service training ◀
- Barcode matrix scanner (FlexScan QR400) optional ◀
- Custom IT integration available utilizing iConnect ◀
- Built-in intercom ◀
- Personalized panel option, std. panel – "Thank You" ◀
- Dual powder coat finish ◀
- Prox Reader optional ◀

REPRESENTED BY:

SPECIFICATIONS

COMPLIANCE

PCI PA-DSS (Payment Application Data Security Standard) Compliant
 AMG-4570 Series lane equipment does not store credit card data
 Meets ADA (Americans with Disabilities Act) and ANSI (American National Standards Institute) requirements

ELECTRICAL

120 VAC, 60 Hz
 220/240 VAC, 50/60 Hz
 10 amp max. (120V) 5 amp max. (240V)
 Multiple I/O capability for ticket tracking, count and monitoring

MECHANICAL

Automatic dual ticket feed; dot matrix printer; cartridge ribbon;
 exclusive RWPV™ (read, write, print and vault) magstripe mechanism

TIME CONTROL

Real-time clock synchronization with host computer
 Built-in crystal controlled perpetual calendar
 Programmable Daylight Saving Time adjustment

TIME CONTROL

Quartz oscillated, accurate within ±3 seconds per week at 68°F to 86°F (20°C to 30°C)
 Programmable Daylight Saving Time adjustment

Off-Line Operation: AMG-4575 operates as a stand-alone lag-time reader

ENVIRONMENT

Temperature: -20°F ~ 120°F (-29°C ~ 49°C)
 Automatic thermostat-controlled heater included
Humidity: 10% ~ 95% (non-condensing)

HOUSING

Heavy-duty, 14-gauge steel construction, weather gasketing, lockable door
Dimensions: 51.54"H x 12.27"W x 20.9"D (130.9 cm x 31.2 cm x 53.04 cm)
Ticket throat: 41" (104 cm)
Weight: 152.5 lbs. (69.17 kg)
Finish (standard): Argento Silver (#305) cabinet / Classic Grey (#314) side panels; White (RAL#9003); custom color available

BARCODE MATRIX SCANNER

Opening: 4"W x 3"H (10.16 cm x 7.62 cm)
Barcode Types: 1D (Linear) & 2D (QR)
Ambient Light: Total darkness to 9000 ft. candles (96.900 LUX)

TICKETS

Credit card size receipt tickets: 2-1/8" x 3-3/8" (5.41 cm x 8.59 cm)
 Holds 1,000 used tickets in vault
 AMG-4570 uses fanfold tickets: 5,000 tickets/carton. Holds two cartons.

COMMUNICATIONS

Interfaces with iParcProfessional software for complete transaction monitoring and control

OPTIONS

2nd I/O Rack (passcard reader lockout)
 Magstripe and proximity access card models optional

INTERCOM

Aiphone LEF™ series intercom system
 Standard user recordable voice announcement

Manufactured by Amano Cincinnati, Inc.'s Ohio factory, an ISO 9001:2000 registered facility. Specifications are approximate and are subject to change without notice. UL approval does not apply to 220/240V AC, 50/60 Hz



AMANO McGANN®

Corporate Headquarters 651 Taft Street NE, Minneapolis, MN 55413
 Tel: (612) 331-2020 www.amanomcgann.com