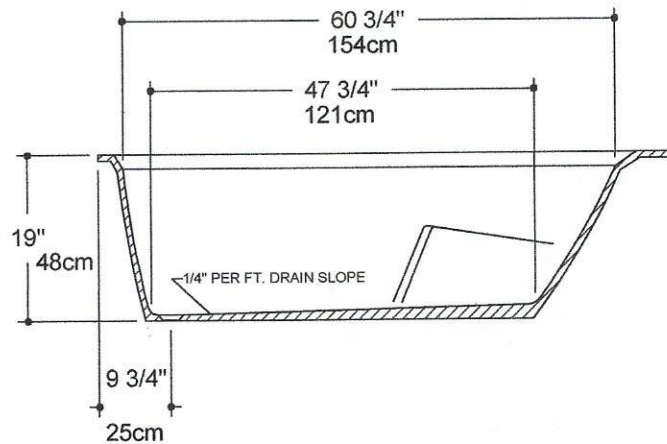
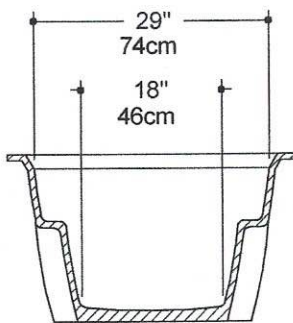
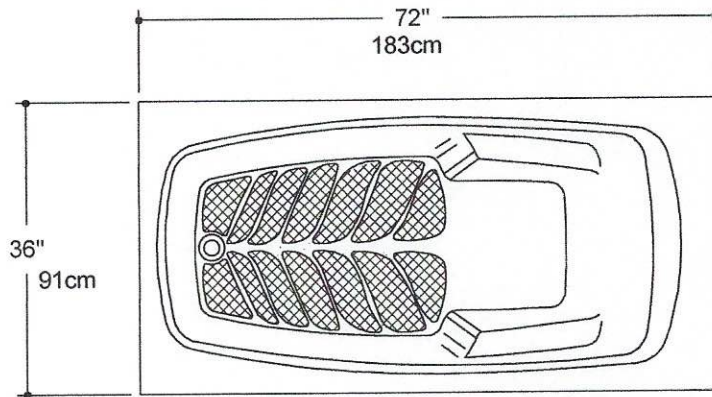


MK38



GRUBER SYSTEMS RESERVES THE RIGHT TO CHANGE THIS INFORMATION AT ANY TIME WITHOUT PRIOR NOTICE. ISSUED BY GRUBER SYSTEMS INC., 25638 AVENUE STANFORD, VALENCIA, CA 91355, USA. COPYRIGHT 2002

MOLD PART	CATALOG No.	DESCRIPTION
MALE	29038	F-MK 38 DECK
FEMALE	490388	F- MK 38 ONE PIECE
2PC FEM DECK	490381	F- MK 38 DECK
2PC FEM BOT	490382	F- MK 38 BOTTOM
TURTLE	490383	F- MK 38 INSERT
ULFF	490389	ULFF MK 38 1/2" WALL
ULFF INSERT	4903891	ULFF MK 38 INSERT 1/2"
SPEEDY PLUG		
NAME	MARK 38 BATHTUB 72" X 36" X 19" (183cm X 91cm X 48cm)	
CAST WEIGHT	SCALE 1/2" = 1' 0"	DATE 8-30-02 PAGE No. T-29