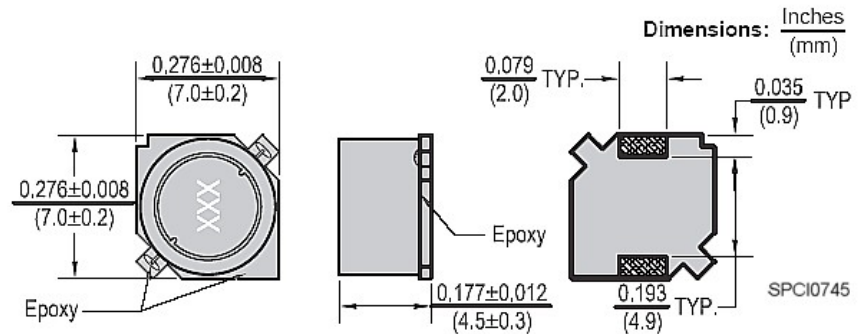




# Power Chip Shielded Inductor SPCI0745



Wilco Part Number	Inductance uH	Tolerance %	Test Freq KHz 0.5V	RDC Ohms +/- 20%	IDC mA	Itemp mA Max
SPCI0745-3R3M-LF	3.3	20	1	0.02	2500	2300
SPCI0745-4R7M-LF	4.7	20	1	0.03	2000	2100
SPCI0745-6R8M-LF	6.8	20	1	0.039	1700	1740
SPCI0745-100M-LF	10	20	1	0.036	1300	1780
SPCI0745-220M-LF	22	20	1	0.061	900	1340
SPCI0745-330M-LF	33	20	1	0.096	820	1090
SPCI0745-470M-LF	47	20	1	0.125	750	920
SPCI0745-680M-LF	68	20	1	0.175	600	770
SPCI0745-101M-LF	100	20	1	0.25	500	650
SPCI0745-151M-LF	150	20	1	0.34	400	550
SPCI0745-221M-LF	220	20	1	0.52	330	450
SPCI0745-331M-LF	330	20	1	0.74	250	370
SPCI0745-471M-LF	470	20	1	1.05	220	310
SPCI0745-681M-LF	680	20	1	1.48	200	270
SPCI0745-102M-LF	1000	20	1	2.28	140	250

**Features**  
 Shielded SMD Power Inductor  
 Suitable for high current applications  
 Low profile  
 Low Power loss and High current

**Electrical**  
 Inductance Range: 3.3µh to 1000µh  
 Tolerance: 20% over entire range  
 Operating Temp: -40°C ~ +85°C  
 IDC: Current at which inductance drops by 10% of initial value

**Resistance to Soldering Heat**  
 Pre-Heat 150°C, 1 minute.  
 Solder Composition: Sn/Ag3.0/Cu0.5  
 Solder Temp: 260°C ± 5°C for 10 sec. ± 1 sec.

**Packaging**  
 Packaging: 1000 pieces per 13 inch reel.  
 Marking: EIA Inductance Code