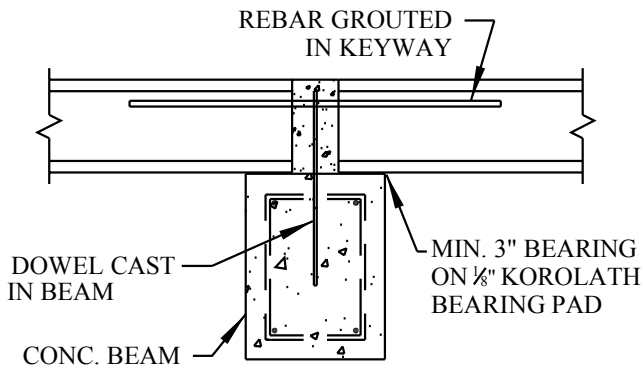
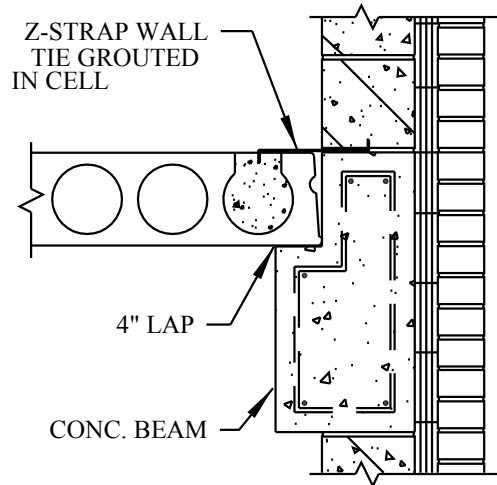


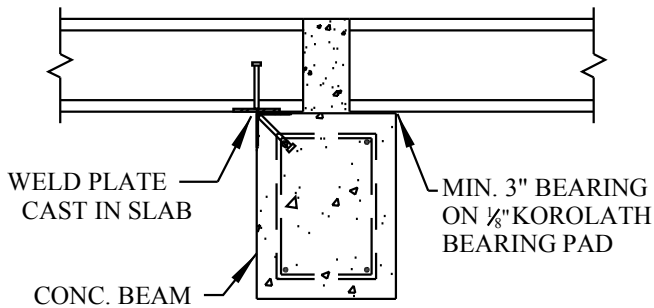
COREFLOOR ON CONCRETE



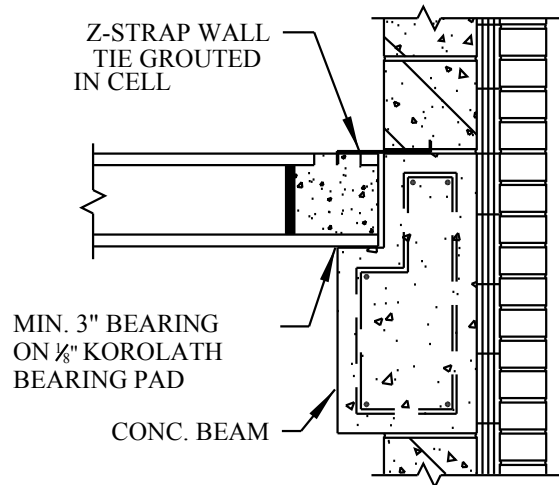
INTERIOR CONCRETE BEAM



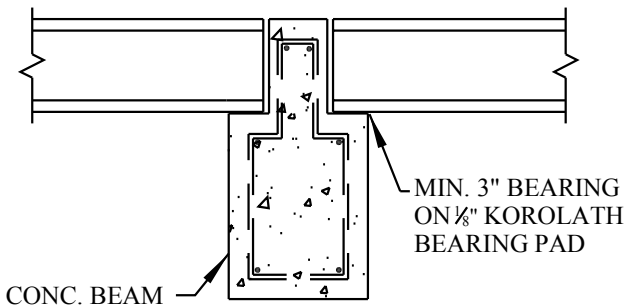
EXTERIOR CONCRETE BEAM



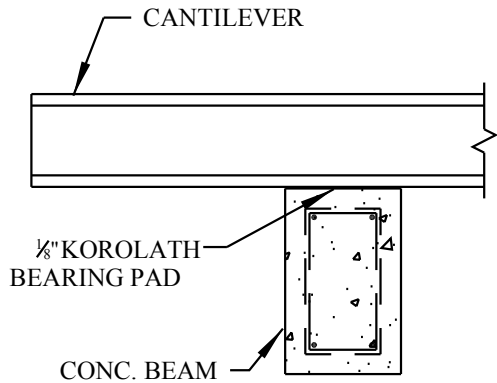
INTERIOR CONCRETE BEAM



EXTERIOR CONCRETE BEAM



INVERTED CONCRETE TEE BEAM



CANTILEVER WITH CONC. BEAM