

Revision Transmittal Sheet

This page transmits Revision 1 to SSK 0980, "Replacement of Air Conditioning Evaporator Assembly".

Rework:

No rework is required for aircraft which have complied with previous issues of this document.

Summary:

This revision adds clamp part number MS21919WDG20 as an alternate to MS21919DG20, removes the 7600122-3 evaporator assembly from the 2499002-2, -3, -4, and -010 kits, and adds the AN919-15D reducer to the 2499002-2 and -010 kits. The kit prices are updated.

NOTE: Change bars are placed in the left margin of pages where significant changes are located. This revision incorporates the latest document format for Learjet service instructions. The general arrangement of this document may change from the previous issue.

Description of Changes

In the Planning Information section:

Changed the Material Required information section as follows:
Updated the 2499002-1 thru -010 kit pricing.

In the Material Information section:

Changed the 2499002-1 and -009 kit information as follows:
Removed Model 25 aircraft serials that were never built, and removed reference to Model 25F.
Changed the 2499002-1, -2, -3, -4, -009, and -010 kit information as follows:
Added alternate part number clamp.
Changed the 2499002-2, -3, -4, and -010 kit information as follows:
Moved the 7600122-3 evaporator assembly to the "Other materials/parts necessary" table.
Changed the 2499002-2 and -010 kit information as follows:
Added the AN919-15D reducer.

Filing Instructions:

This is a COMPLETE revision. Remove and discard all pages of the prior issue and replace them with pages of Revision 1.

**LEARJET 23/24/25, 28/29, 35/36
Revision Transmittal Sheet**

Record of Revisions:

ISSUE	DISTRIBUTION DATE
Basic	Feb 10/89
Revision 1	Jun 8/09

Special Spares Kit

If you cannot complete the instructions in this publication because of an STC change to the aircraft, speak to the STC holder or the regional Federal Aviation Administration (FAA) office for information and disposition.

Contact Information	Distribution Date	Rev. No.
Business Aircraft Learjet Inc. MS 53 P.O. Box 7707 Wichita, Kansas 67277-7707 Customer Response Center (CRC) 1-866-538-0247 (Toll Free) (316) 946-6100 (Tel) Push 4 then push 1 for Technical Publications or push 2 for Parts Logistics.	June 8, 2009	1

AIR CONDITIONING - REPLACEMENT OF AIR CONDITIONING EVAPORATOR ASSEMBLY

1. Planning Information

A. Effectivity

- (1) Learjet 23-003 thru 23-099.
- (2) Learjet 24-100 thru 24-357.
- (3) Learjet 25-003 thru 25-373.
- (4) Learjet 28-001 thru 28-005.
- (5) Learjet 29-001 thru 29-004.
- (6) Learjet 35-002 thru 35-603.
- (7) Learjet 36-002 thru 36-063.

B. Reason

- (1) The original air conditioner evaporator assembly is not available as a spare. This SSK provides instructions to install a suitable spare air conditioner evaporator assembly.

C. Description

- (1) The existing air conditioner evaporator assembly is removed and modifications are made to install the replacement spare air conditioner evaporator assembly.

Refer to applicable government agency regulations and requirements and make sure that the work described in this publication is performed in compliance with manufacturer's recommendations and/or acceptable industry standards.

This document is proprietary to Bombardier Inc. and/or its affiliates and may not be reproduced or copied in any form or by any means without the prior written consent of Bombardier Inc. and/or its affiliates.

© 1989, Bombardier Inc. All rights reserved.
Challenger®, Global Express®, Learjet®, are Trademarks of Bombardier Inc.

**LEARJET 23/24/25, 28/29, 35/36
Special Spares Kit**

D. Compliance

(1) Optional - The aircraft owner/operator can make the decision to complete these instructions.

E. Approval

(1) The Federal Aviation Administration (FAA) has approved the technical content in this publication that has an affect on the airplane type design.

F. Expense Coverage

(1) None.

G. Material Required

PART NUMBER	QTY	NOMENCLATURE	PRICING
2499002-1	1	Special Spares Kit	\$8,681.00
2499002-2	1	Special Spares Kit	\$10,438.00
2499002-3	1	Special Spares Kit	\$3,184.00
2499002-4	1	Special Spares Kit	\$3,478.00
2499002-009	1	Special Spares Kit	\$7,571.00
2499002-010	1	Special Spares Kit	\$10,230.20

NOTE: The above prices can change.

Refer to paragraph 3.A. to know which kit is necessary.

For ordering and shipping information, please call Bombardier Aerospace, Learjet Inc. Business Aircraft Customer Service, Parts Logistics. (Refer to the title page of this document for contact information.)

(1) Other materials/parts necessary to complete these instructions.

PART NUMBER	NAME	QTY	MANUFACTURER
ProSeal 890	Sealant	As Req'd.	PRC DeSoto International Berkeley, CA
EC1300 (or equivalent)	Adhesive	As Req'd.	3M Company
7600122-3	Evaporator Assembly	1	

NOTE: For ordering and shipping information, please call Bombardier Aerospace, Learjet Inc. Business Aircraft Customer Service, Parts Logistics. (Refer to the title page of this document for contact information.)

LEARJET 23/24/25, 28/29, 35/36 Special Spares Kit

- H. Tooling
 - (1) None.
- I. Weight and Balance
 - (1) Negligible.
- J. References
 - (1) Learjet Service Manual, Sections 1 and 4.
 - (2) Learjet Maintenance Manual, Chapter 12.
- K. Other Publications Affected
 - (1) Learjet Illustrated Parts Catalog Chapter 12.

2. Accomplishment Instructions

- A. Gain Access
 - (1) Set the battery switches off and disconnect the aircraft batteries.
- B. Modification of Aircraft
 - (1) Replace the air conditioner evaporator assembly for the 2499002-1, -2, -3, -9 and -10 kits as follows: (See [Figure 1](#).)
 - (a) Depressurize the freon air conditioner evaporator assembly. (Refer to [Section 4 of the Service Manual](#) or [Chapter 12 of the Maintenance Manual](#).)
 - (b) Measure from the centerline of the expansion valve to the end of the blower and evaporator assembly. Record the dimension. (See [Figure 1](#).)
 - (c) Disconnect the plumbing and remove the blower and evaporator assembly box from the aircraft.
 - (d) Remove the evaporator assembly from the box. Disconnect the expansion valve from the evaporator and retain for reinstallation.
 - (e) Enlarge the No. 10 (0.1935 in) [4.915 mm] hole to 21/64 (0.328 in) [8.331 mm] in the existing zee bracket for the 2499002-1 and -9 kits. (See [Figure 1, View A-A](#).)
 - (f) Slot the holes for the evaporator mounting bolts for the 2499002-2 and -3 kits.
 - (g) Install nutplates over the holes for the 2499002-1 and -9 kits.
 - (h) Put the blower and evaporator assembly box on a workbench.
 - (i) Temporarily install the new evaporator assembly in the blower and evaporator assembly box and use the dimensions obtained in paragraph 2.B.(1)(b) to check for fit and alignment with plumbing.
 - (j) For the 2499002-1 and -9 kits, relocate the zee bracket as required to pick up mounting holes in the new evaporator assembly.
 - (k) Drill holes in the blower and evaporator assembly box to match the zee bracket. (See [Figure 1, View A-A](#).)
 - (l) Plug the existing hole in the zee bracket with ProSeal 890 sealant.
 - (m) Trim the box along lines of inlet opening and maintain the dimension shown. (See [Figure 1, View A-A](#).)
 - (n) For the 2499002-1, -2, -3, -9 and -10 kits, center the seal and bond to the evaporator with EC1300 adhesive. (See [Figure 1, View B-B](#).)
 - (o) On the 2499002-3 kit, place the cover with its cutout to match the cutout in the blower and evaporator assembly box. Relieve the cutout as required to allow clearance for plumbing.
 - (p) Secure the cover to the box with EC1300 adhesive. (See [Figure 1, View H-H](#).)
 - (q) Connect the existing expansion valve to the evaporator assembly.
 - (r) Install the evaporator assembly in the box. Secure the evaporator assembly with bolts for the 2499002-1 and -9 kits, bolts and nuts for the 2499002-2 and -10 kits, and bolts, spacers and nuts for the 2499002-3 kit.
 - (s) Identify the blower and evaporator assembly box as shown in paragraph 3.B.

LEARJET 23/24/25, 28/29, 35/36 Special Spares Kit

- (t) Install the blower and evaporator box assembly in the aircraft with the existing hardware.
- (u) For the 2499002-3 kit, install the AP50A-8 seal on the expansion valve. (See [Figure 1, View F-F.](#))
- (v) Connect the expansion valve to the existing plumbing with the AP50A-4 seal. (See [Figure 1, View F-F.](#))
- (w) Connect remaining plumbing to the evaporator assembly with the AP50A-8 seals. (See [Figure 1, View F-F and G-G.](#))

NOTE: On the 2499002-2 and -10 kits, install the reducer and seal when connecting the plumbing to the evaporator assembly. (See [Figure 1, View D-D.](#))

On aircraft 35-496 thru 35-603, (2499002-2 and -10 kits) connect the tube assembly to the disconnect and reducer. (See [Figure 1, Detail E.](#))

- (x) Install the sensing bulb on the suction line as shown. Secure the bulb with the clamp.
- (y) Coil excess pilot tube and secure with tie tape.
- (z) Put the insulation tube over the plumbing and sensing bulb. Secure the insulation with tie tape.
- (aa) Seal the opening between the blower and evaporator assembly box with EC1300 adhesive.
- (2) Replace the air conditioner evaporator assembly for the 2499002-4 kit as follows: (See [Figure 2.](#))
 - (a) Depressurize the freon air conditioner system. (Refer to [Section 1 of the Service Manual.](#))
 - (b) Remove the evaporator from the LH service cabinet. Remove the expansion valve from the evaporator.
 - (c) Enlarge the existing evaporator mounting holes. Slot the holes as required to obtain a satisfactory installation.
 - (d) Connect the expansion valve to the evaporator assembly with an AP50A-8 seal.
 - (e) Secure the sensing bulb to the suction line with the clamp. Coil excess pilot line and secure with tie tape. (See [Figure 2.](#))
 - (f) Install the evaporator assembly with bolts and nuts.
 - (g) Connect the existing plumbing to the expansion valve and the evaporator assembly with seals. (See [Figure 2, View A-A.](#))
 - (h) Install insulation over the suction tube and sensing bulb. (See [Figure 2, View A-A.](#)) Secure the insulation to the components with tie tape.
- (3) Install the refrigeration pressure regulator as follows: (See [Figure 3.](#))
 - (a) Disconnect the existing hose from the compressor.
 - (b) Connect the new hose to the compressor fitting.
 - (c) Connect the existing hose and new hose assembly to the regulator assembly.
 - (d) Aircraft equipped with a Sankyo compressor:
 - 1) Put the regulator assembly on the support. Drill holes for the mounting screws. (See [Figure 3.](#))
 - 2) Secure the regulator assembly to the support with clamps, screws and nuts.
 - (e) Aircraft equipped with a York compressor:
 - 1) Put the regulator assembly on the bellmouth. Drill holes for the mounting screws. (See [Figure 3.](#))
 - 2) Secure the regulator assembly to the bellmouth with clamps, screws and nuts.

C. Functional Test/Operational Check

- (1) Service and do an operational check on air conditioner freon system. (Refer to [Section 1 of the Service Manual](#) or [Chapter 12 of the Maintenance Manual.](#))

D. Return Aircraft to Airworthy Status

- (1) Install all components removed to accomplish these instructions.

**LEARJET 23/24/25, 28/29, 35/36
Special Spares Kit**

- E. Compliance Response Form
 (1) Complete the compliance response form.
 (2) Send the compliance response form to Learjet Inc. as soon as possible.
- F. Aircraft Maintenance Records
 (1) Complete the Aircraft Maintenance Records.

NOTE: Complete the aircraft records in accordance with the regulatory requirements of your aircraft certification authority.

3. Material Information

A. Parts Required

- (1) The 2499002-1 kit is applicable to aircraft 25-061, 25-064, 25-070 thru 25-373 (Model 25C only), aircraft 28-001 thru 28-005, aircraft 29-001 thru 29-004, and aircraft 36-002 thru 36-063 when equipped with a Sankyo compressor, and contains the parts that follow:

PART NUMBER	QTY	NOMENCLATURE	ALTERNATE PART NUMBER
2419228-18	1	Seal	
2419326-1	1	Evaporator Assembly	2419326-002
AN4-5A	4	Bolt	
MS20426AD3-5	8	Rivet	
NAS687A4	4	Nutplate	
AP50A-8	1	Seal	SEC07A8
AP50A-4	1	Seal	SEC07A4
AP50A-10	1	Seal	SEC07A10
MS21919DG20	2	Clamp	MS21919WDG20
AN520-10R8	2	Screw	
MS21042L3	2	Nut	
2519204-39	1	Hose Assembly	
ORIT-6-0/50-5/8 SAE	1	Regulator Assembly	
NP77	2 ft.	Insulation	8909077
NH102300-0125	2	Clamp	

NOTE: Some hardware comes in pre-packaged quantities. When that occurs, the quantity in the kit will be more than the quantity in the parts list.

**LEARJET 23/24/25, 28/29, 35/36
Special Spares Kit**

- (2) The 2499002-2 kit is applicable to aircraft 24-204 thru 24-357, aircraft 25-040 thru 25-373 (Model 25/25B/25D only), and aircraft 35-002 thru 35-603 when equipped with a Sankyo compressor, and contains the parts that follow:

PART NUMBER	QTY	NOMENCLATURE	ALTERNATE PART NUMBER
2419228-18	1	Seal	
AN4-5A	4	Bolt	
MS21042-4	4	Nut	
AP50A-8	2	Seal	SEC07A8
AP50A-4	1	Seal	SEC07A4
2419351-258	1	Tube Assembly	
MS21919DG20	2	Clamp	MS21919WDG20
AN520-10R8	2	Screw	
MS21042L3	2	Nut	
AN919-15D	1	Reducer	
2519204-39	1	Hose Assembly	
ORIT-6-0/50-5/8 SAE	1	Regulator Assembly	
NP77	2 ft.	Insulation	8909077
NH102300-0125	2	Clamp	

NOTE: Some hardware comes in pre-packaged quantities. When that occurs, the quantity in the kit will be more than the quantity in the parts list.

- (3) The 2499002-3 kit is applicable to aircraft 24-130 thru 24-203 and aircraft 25-002 thru 25-039 and contains the parts that follow:

PART NUMBER	QTY	NOMENCLATURE	ALTERNATE PART NUMBER
2499002-5	1	Seal	
2499002-6	1	Cover	
2499002-7	1	Seal	
2419228-18	1	Seal	
AN4-7A	4	Bolt	
MS21042-4	4	Nut	
NAS43DD4-18	4	Spacer	
AP50A-8	3	Seal	SEC07A8
AP50A-4	1	Seal	SEC07A4

**LEARJET 23/24/25, 28/29, 35/36
Special Spares Kit**

PART NUMBER	QTY	NOMENCLATURE	ALTERNATE PART NUMBER
MS21919DG20	2	Clamp	MS21919WDG20
AN520-10R8	2	Screw	
MS21042L3	2	Nut	
2499002-011	1	Hose Assembly	
ORIT-6-0/50-5/8 SAE	1	Regulator Assembly	
NP77	2 ft.	Insulation	8909077
NH102300-0125	2	Clamp	

NOTE: Some hardware comes in pre-packaged quantities. When that occurs, the quantity in the kit will be more than the quantity in the parts list.

- (4) The 2499002-4 kit is applicable to aircraft 23-003 thru 23-099 except 23-005 and aircraft 24-100 thru 24-129 and contains the parts that follow:

PART NUMBER	QTY	NOMENCLATURE	ALTERNATE PART NUMBER
AN4-7A	4	Bolt	
MS21042-4	4	Nut	
AP50A-8	2	Seal	SEC07A8
AP50A-4	1	Seal	SEC07A4
MS21919DG20	2	Clamp	MS21919WDG20
AN520-10R8	2	Screw	
MS21042L3	2	Nut	
2499002-011	1	Hose Assembly	
ORIT-6-0/50-5/8 SAE	1	Regulator Assembly	
NP77	2 ft.	Insulation	8909077
NH102300-0125	2	Clamp	

NOTE: Some hardware comes in pre-packaged quantities. When that occurs, the quantity in the kit will be more than the quantity in the parts list.

- (5) The 2499002-009 kit applicable to aircraft 25-061, 25-064, 25-070 thru 25-373 (Model 25C only), aircraft 28-001 thru 28-005, 29-001 thru 29-004, and aircraft 36-002 thru 36-055 when equipped with a York compressor and contains the parts that follow:

PART NUMBER	QTY	NOMENCLATURE	ALTERNATE PART NUMBER
2419228-18	1	Seal	

**LEARJET 23/24/25, 28/29, 35/36
Special Spares Kit**

PART NUMBER	QTY	NOMENCLATURE	ALTERNATE PART NUMBER
2419326-1	1	Evaporator Assembly	2419326-002
AN4-5A	4	Bolt	
MS20426AD3-5	8	Rivet	
NAS687A4	4	Nutplate	
AP50A-8	1	Seal	SEC07A8
AP50A-4	1	Seal	SEC07A4
AP50A-10	1	Seal	SEC07A10
MS21919DG20	2	Clamp	MS21919WDG20
AN520-10R8	2	Screw	
MS21042L3	2	Nut	
ORIT-6-0/50-5/8 SAE	1	Regulator Assembly	
NP77	2 ft.	Insulation	8909077
2499002-011	1	Hose Assembly	
NH102300-0125	2	Clamp	

NOTE: Some hardware comes in pre-packaged quantities. When that occurs, the quantity in the kit will be more than the quantity in the parts list.

- (6) The 2499002-010 kit is applicable to aircraft 24-204 thru 24-357, aircraft 25-040 thru 25-373 (Model 25/25B/25D only), and aircraft 35-002 thru 35-603 when equipped with a York compressor and contains the parts that follow:

PART NUMBER	QTY	NOMENCLATURE	ALTERNATE PART NUMBER
2419228-18	1	Seal	
AN4-5A	4	Bolt	
MS21042L3	2	Nut	
AP50A-8	2	Seal	SEC07A8
AP50A-4	1	Seal	SEC07A4
AN919-15D	1	Reducer	
MS21919DG20	2	Clamp	MS21919WDG20
AN520-10R8	2	Screw	
MS21042L3	2	Nut	
MS21042-4	4	Nut	
ORIT-6-0/50-5/8 SAE	1	Regulator Assembly	

**LEARJET 23/24/25, 28/29, 35/36
Special Spares Kit**

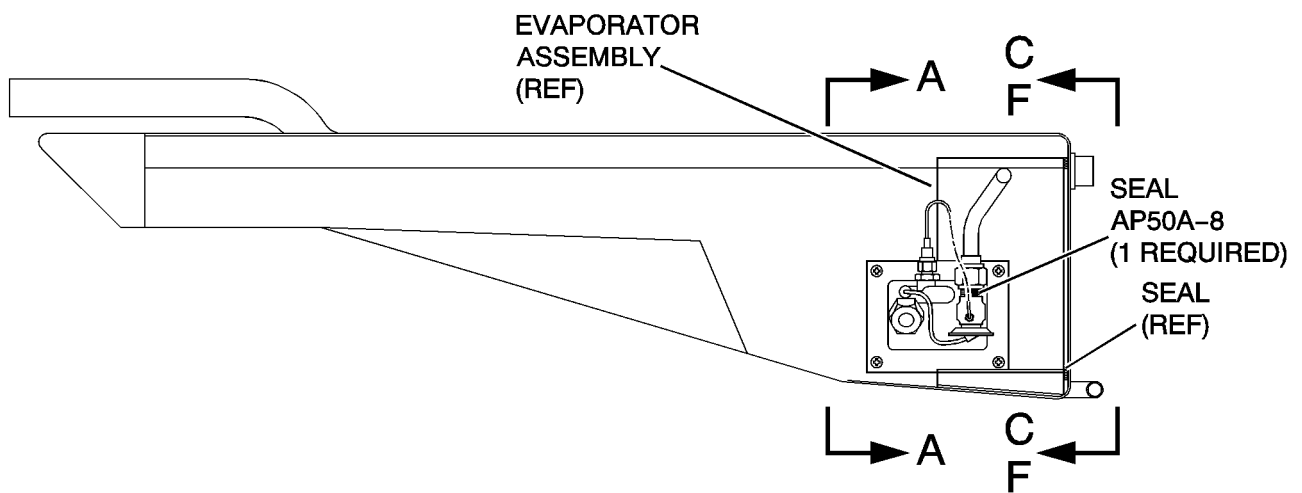
PART NUMBER	QTY	NOMENCLATURE	ALTERNATE PART NUMBER
NP77	2 ft.	Insulation	8909077
2419351-258	1	Tube Assembly	
2499002-011	1	Hose Assembly	
NH102300-0125	2	Clamp	

NOTE: Some hardware comes in pre-packaged quantities. When that occurs, the quantity in the kit will be more than the quantity in the parts list.

B. Identification Table

BLOWER AND EVAPORATOR ASSEMBLY BOX PART NUMBER	IDENTIFY TO	SPARES REPLACEMENT	KIT
2619154-5, -9, -11, -12, -14, or -16	2619154-19	2619154-19	2499002-1 or 2499002-9
2619154-6 or -15	2619154-18	2619154-18	2499002-1 or 2499002-9
2619154-3, -4, -35, -37, -42, -43, or -45	2619154-51	2619154-51	2499002-1 or 2499002-9
2519154-36 or -44	2519154-50	2519154-50	2499002-1 or 2499002-9
2419227-24, -26, -30, -33, -35, -41, -42, or -49	2419154-50	2419154-50	2499002-2 or 2499002-10
2419227-29, -31, -34, -36, or -47	2419154-51	2419154-51	2499002-2 or 2499002-10
2319228- 1	2499002-8	2499002-8	2499002-3

LEARJET 23/24/25, 28/29, 35/36
Special Spares Kit



(VIEW LOOKING AT LH SIDE OF EVAPORATOR ASSEMBLY)

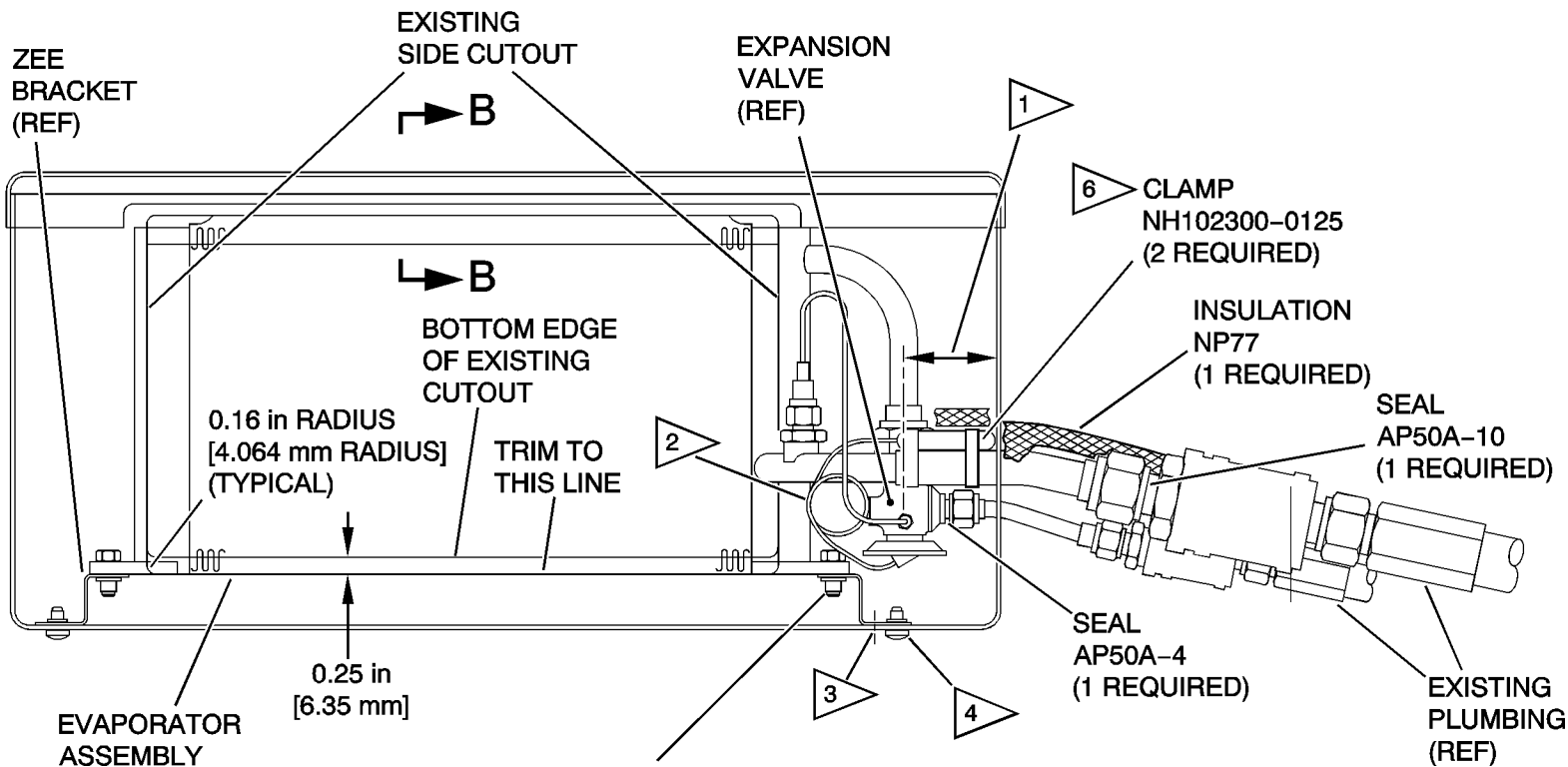
K23S-239800-001-01

Replacement of Air Conditioner Evaporator Assembly
Figure 1 (Sheet 1 of 7)

Basic Issue: Feb 10/89
Revision 1: Jun 8/09

THIS PUBLICATION IS AVAILABLE AT:
www.cic.bombardier.com

SSK 0980
Page 10 of 20



- ENLARGE NO. 10 (0.194 in) [4.927 mm]
HOLE IN EXISTING ZEE BRACKET
TO 21/64 (0.328 in) [8.331 mm]
- NUTPLATE
NAS687A4
- BOLT
AN4-5A
(4 EACH REQUIRED)
- RIVET
MS20426AD3-5
(8 REQUIRED)

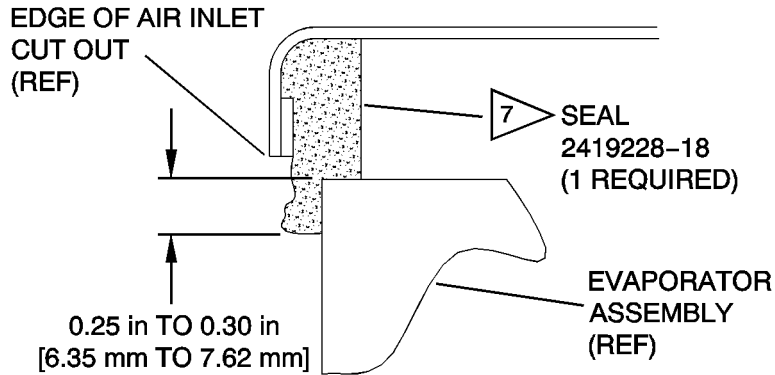
(2499002-1 AND -009 KITS)
(VIEW LOOKING AFT)

View A-A

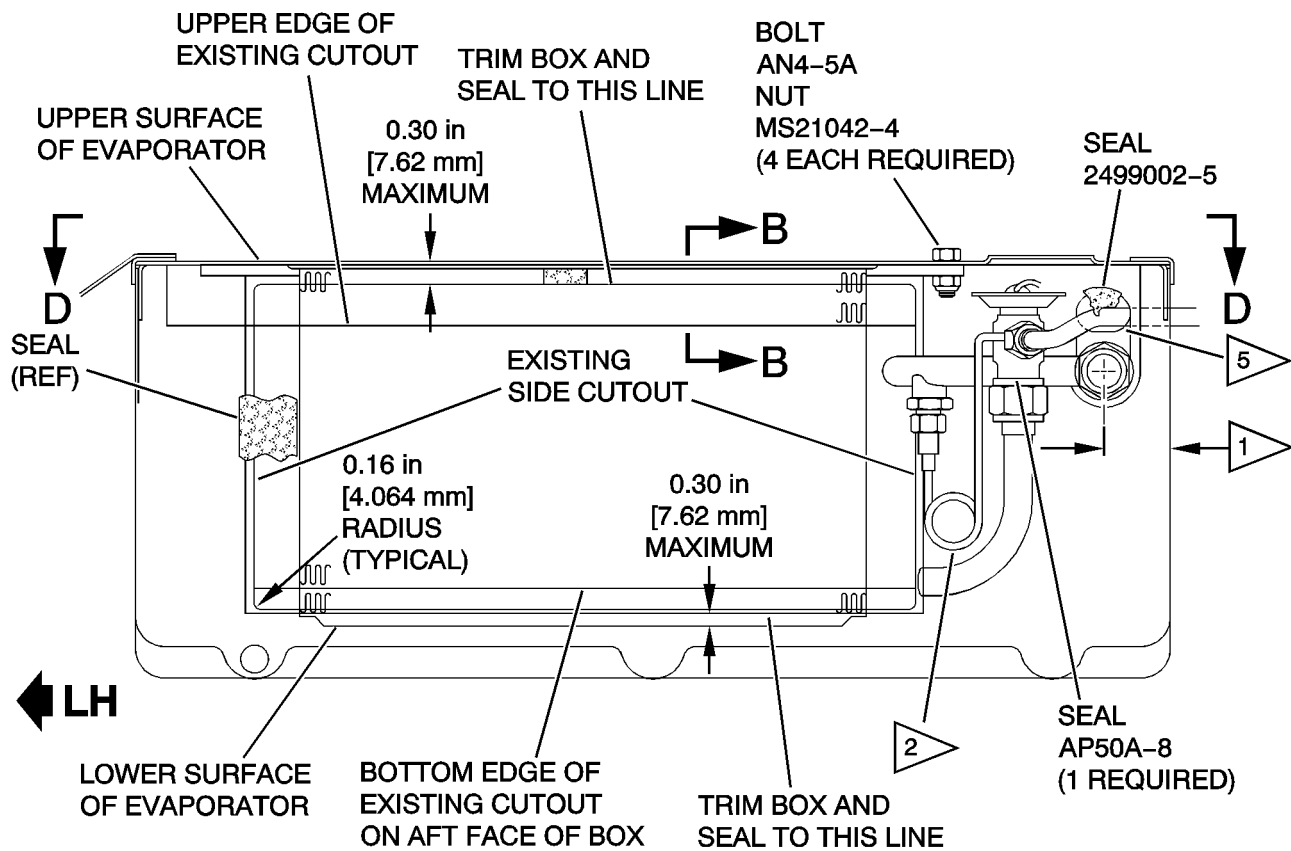
Replacement of Air Conditioner Evaporator Assembly
Figure 1 (Sheet 2 of 7)

K23S-239800-001-02

**LEARJET 23/24/25, 28/29, 35/36
Special Spares Kit**



**(TYPICAL ALL KITS)
View B-B**



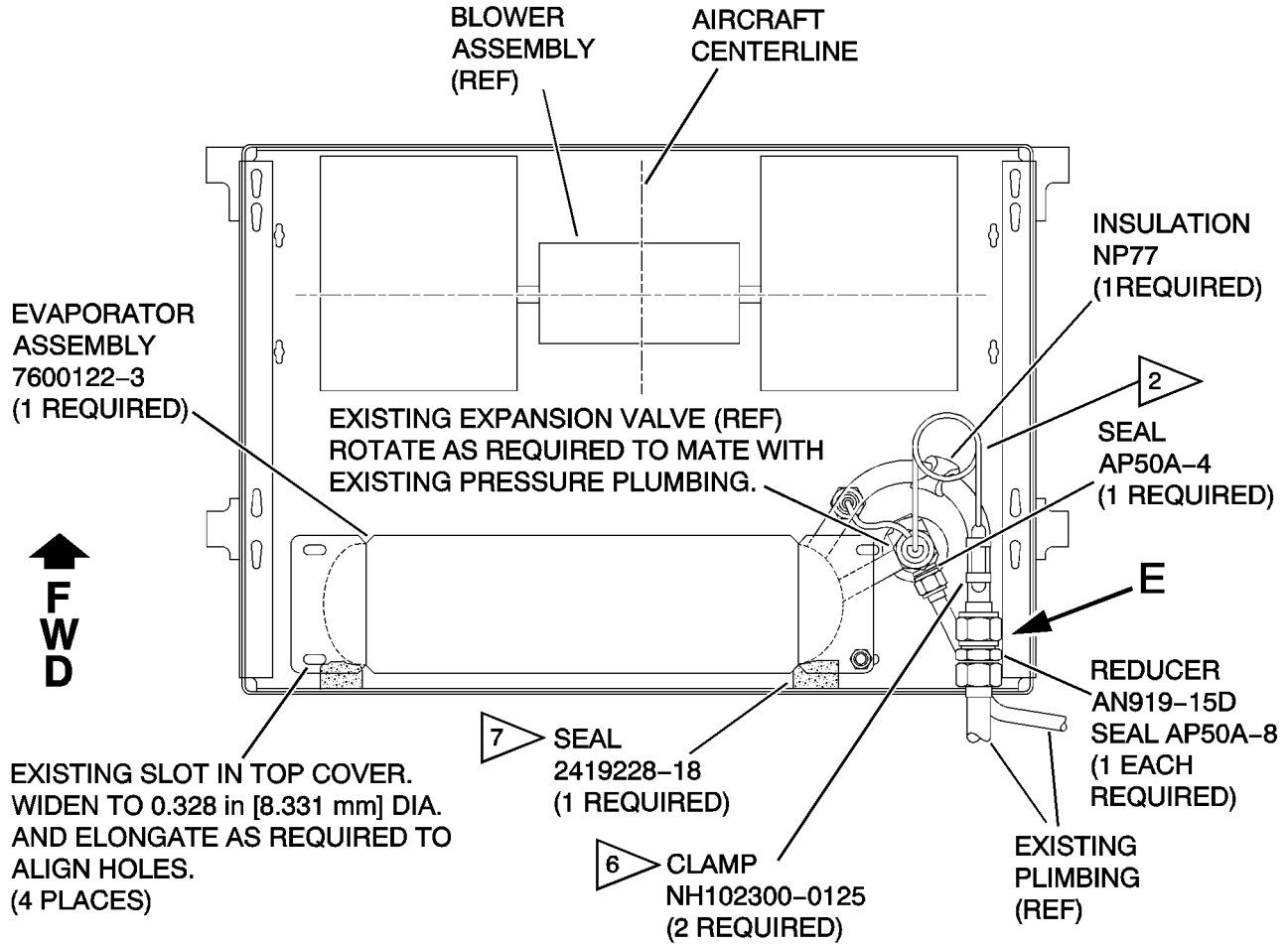
**(2499002-2 KIT AND -10 KIT)
(REAR VIEW)**

View C-C

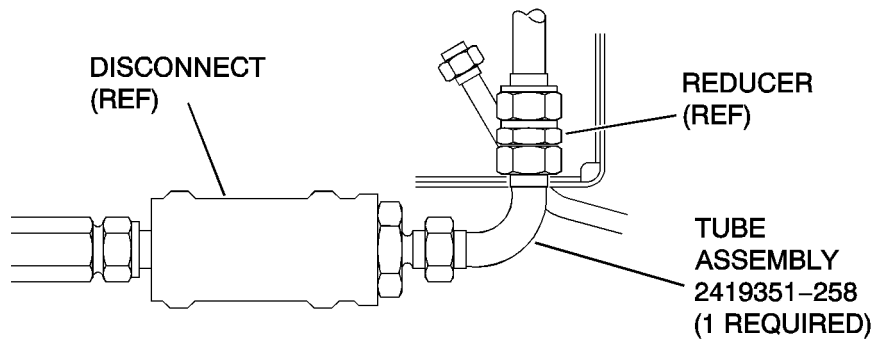
K23S-239800-001-03

Replacement of Air Conditioner Evaporator Assembly
Figure 1 (Sheet 3 of 7)

**LEARJET 23/24/25, 28/29, 35/36
Special Spares Kit**



**(TOP VIEW)
View D-D**



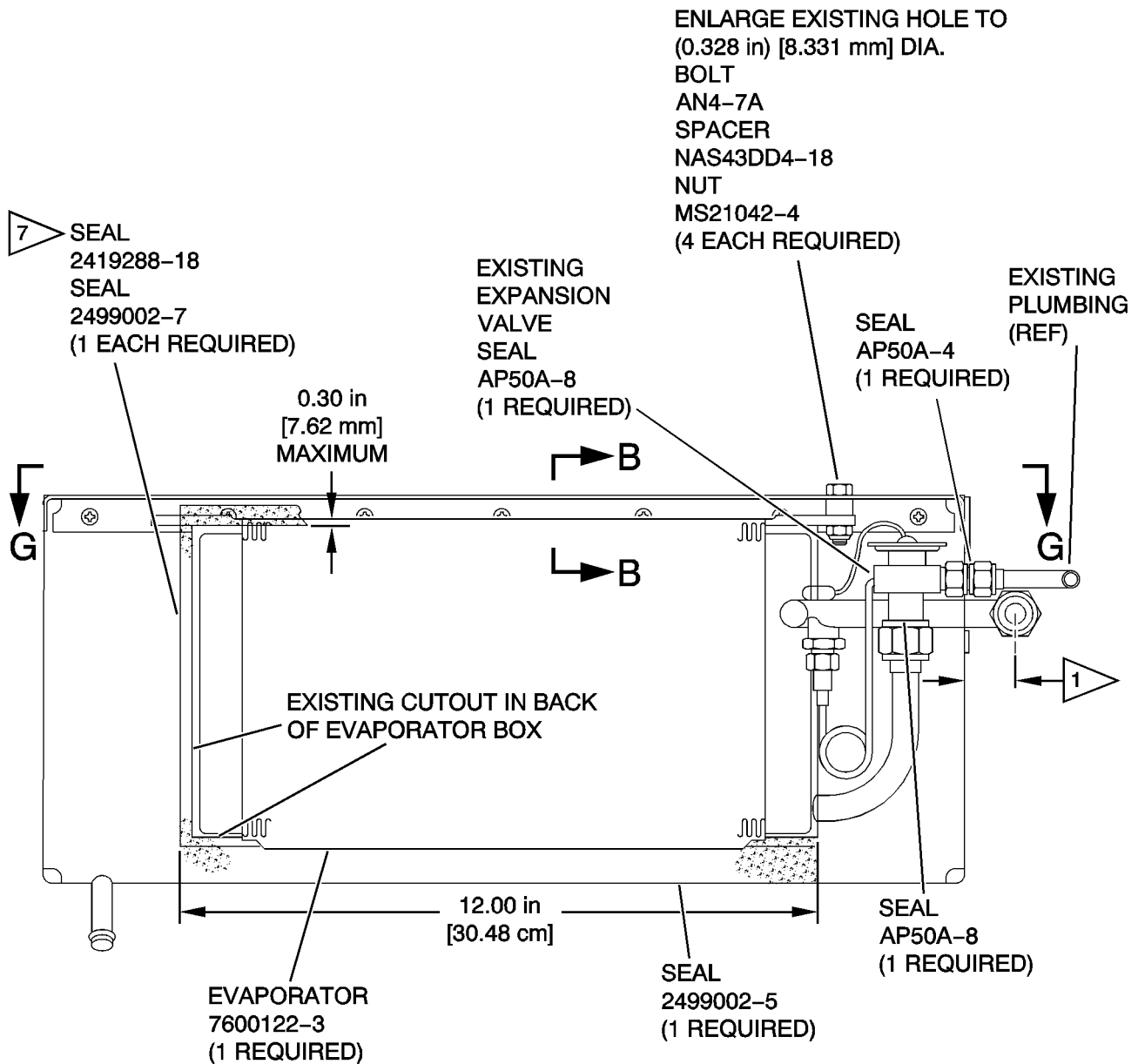
(APPLICABLE TO AIRCRAFT 35-496 THRU 35-603)

Detail E

K23S-239800-001-04

Replacement of Air Conditioner Evaporator Assembly
Figure 1 (Sheet 4 of 7)

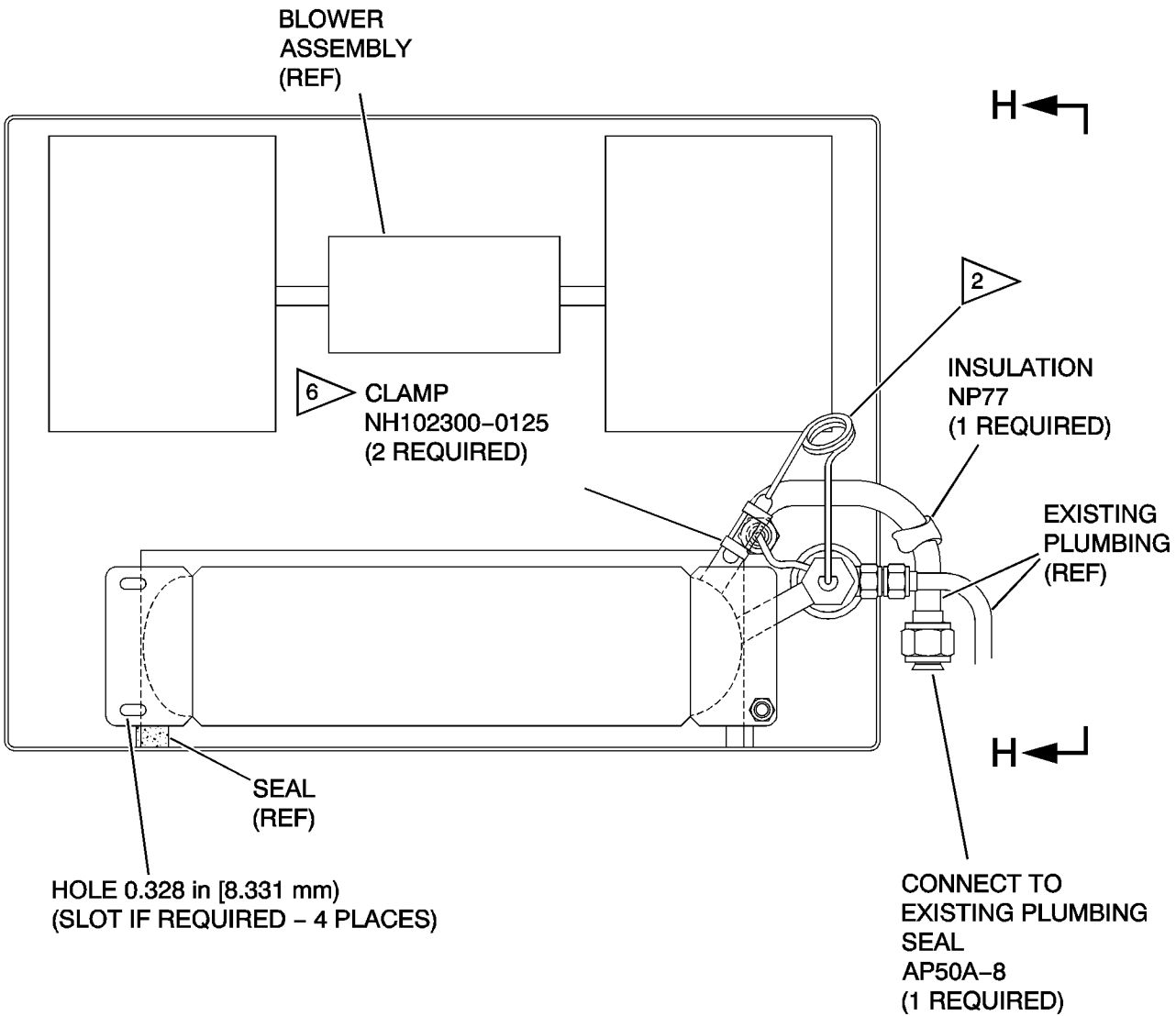
**LEARJET 23/24/25, 28/29, 35/36
Special Spares Kit**



**(2499002-3 KIT)
(REAR VIEW)
View F-F**

K23S-239800-001-05

Replacement of Air Conditioner Evaporator Assembly
Figure 1 (Sheet 5 of 7)

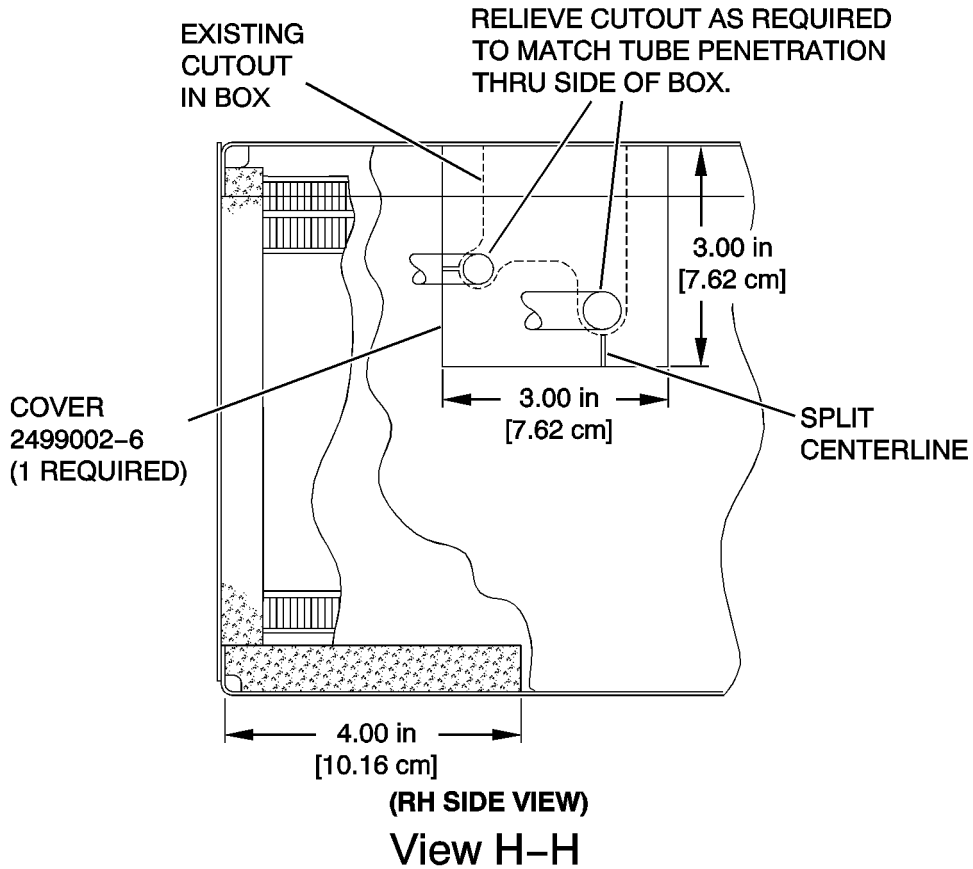


(TOP VIEW)
View G-G

Replacement of Air Conditioner Evaporator Assembly
Figure 1 (Sheet 6 of 7)

K23S-239800-001-06

**LEARJET 23/24/25, 28/29, 35/36
Special Spares Kit**



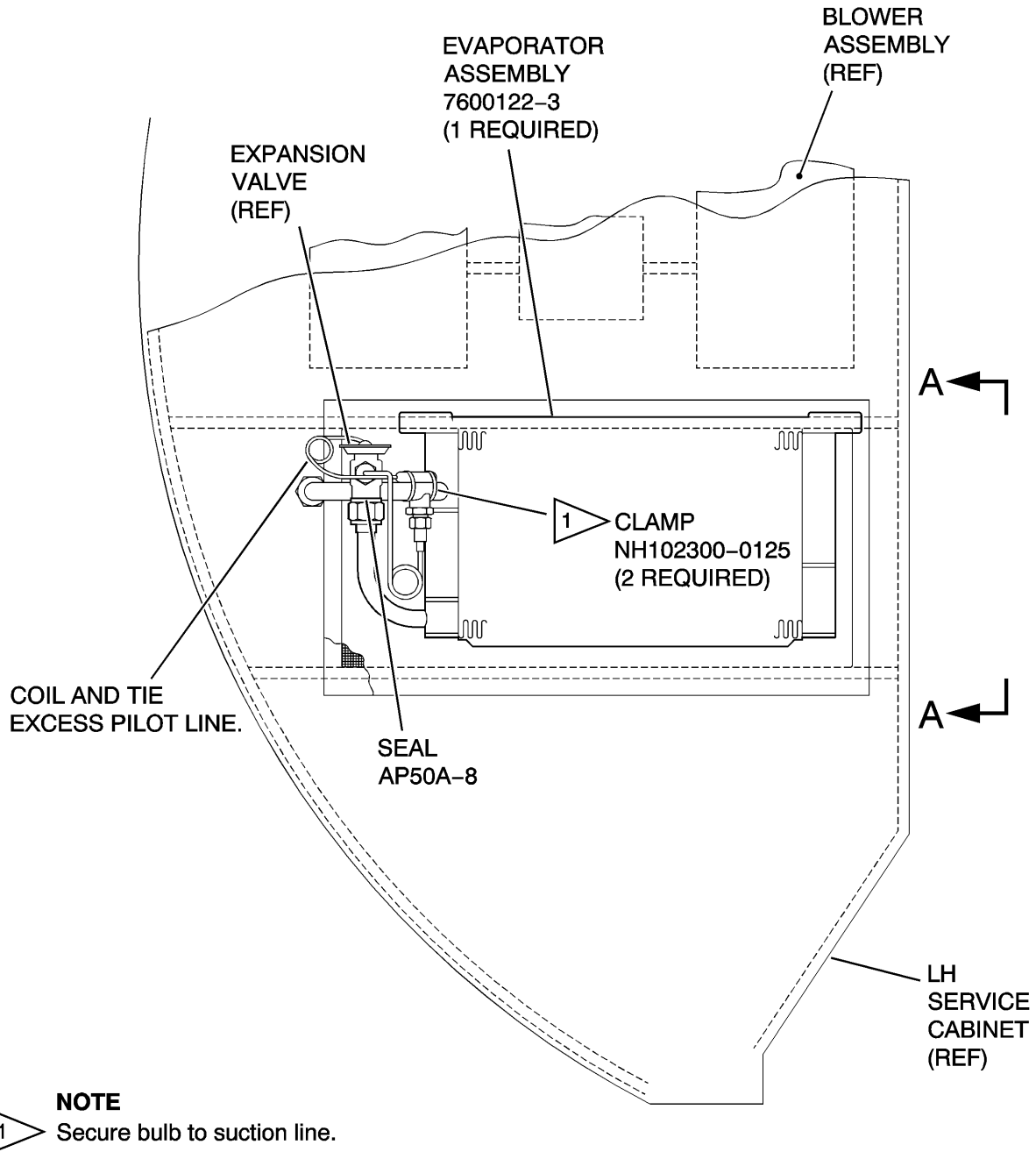
NOTES

- 1 Measure and record dimension. Install replacement evaporator in the same location.
- 2 Coil and tie excess pilot tube.
- 3 Plug hole with sealant.
- 4 Drill to match zee bracket.
- 5 Enlarge existing tube holes or make cutout thru box as required.
- 6 Clamp bulb to suction line.
- 7 Bond seal to evaporator with EC1300 adhesive.

K23S-239800-001-07

Replacement of Air Conditioner Evaporator Assembly
Figure 1 (Sheet 7 of 7)

**LEARJET 23/24/25, 28/29, 35/36
Special Spares Kit**

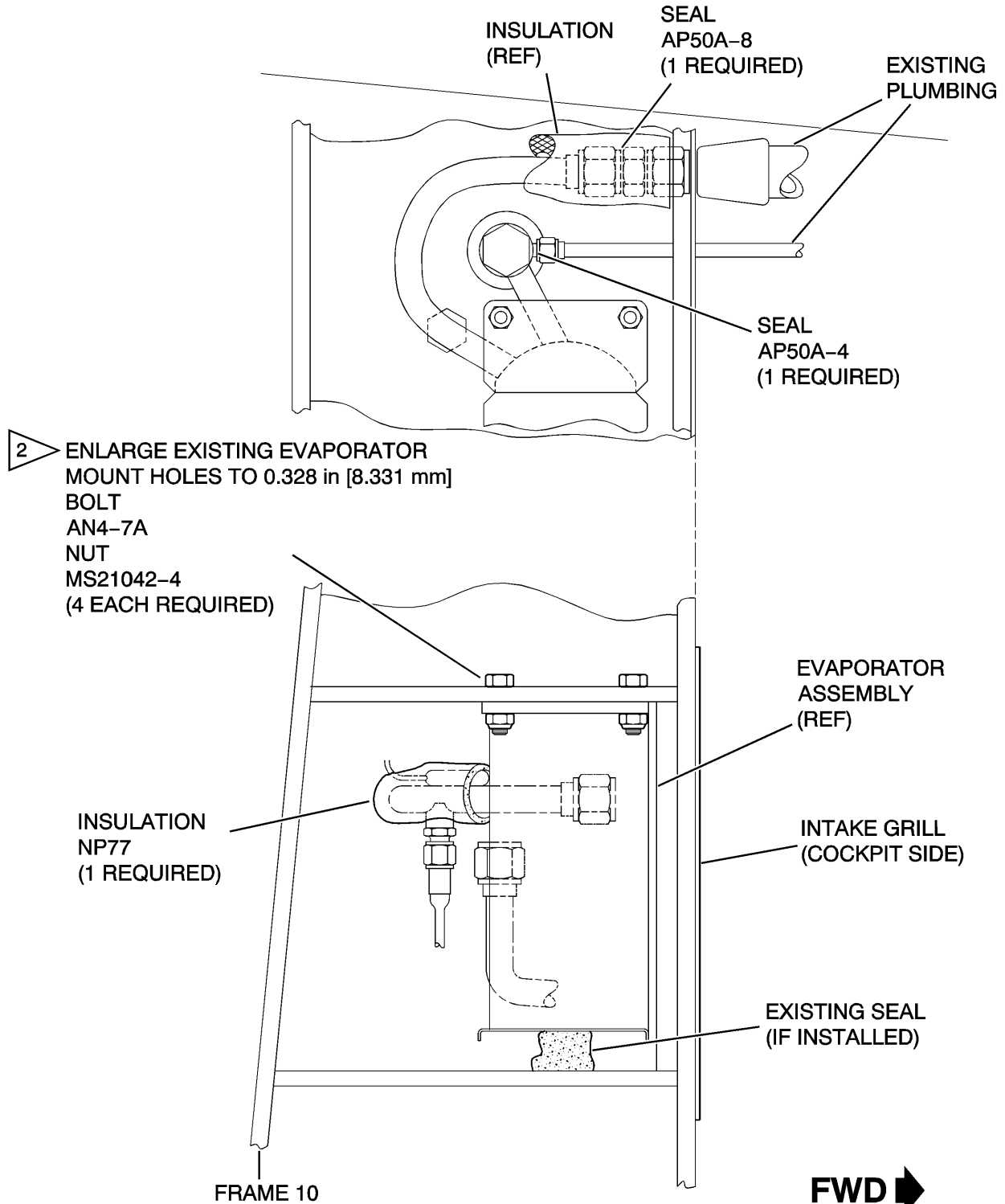


**(2499002-4 KIT)
(VIEW LOOKING FORWARD AT THE AFT FACE OF LH CABINET)**

K23S-239800-002-01

Replacement of Air Conditioner Evaporator Assembly
Figure 2 (Sheet 1 of 2)

**LEARJET 23/24/25, 28/29, 35/36
Special Spares Kit**



2 ENLARGE EXISTING EVAPORATOR
MOUNT HOLES TO 0.328 in [8.331 mm]
BOLT
AN4-7A
NUT
MS21042-4
(4 EACH REQUIRED)

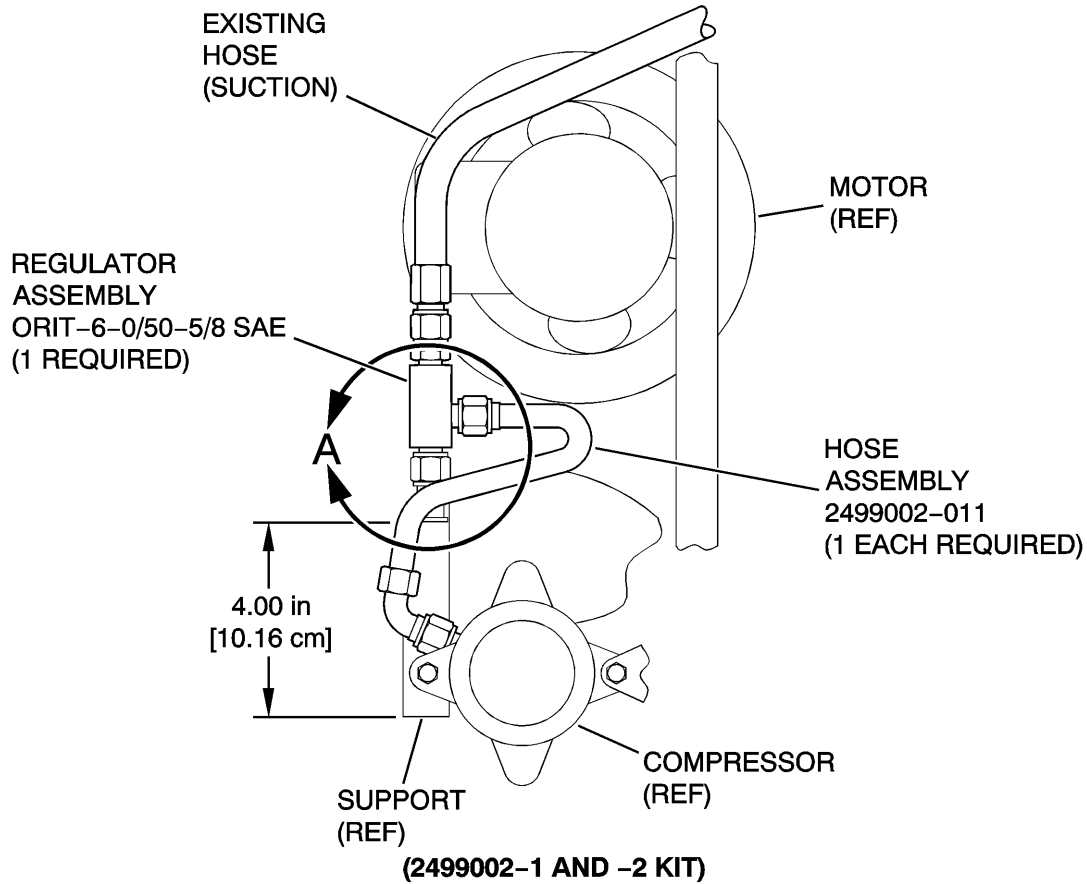
NOTE
2 Slot holes as required.

View A-A

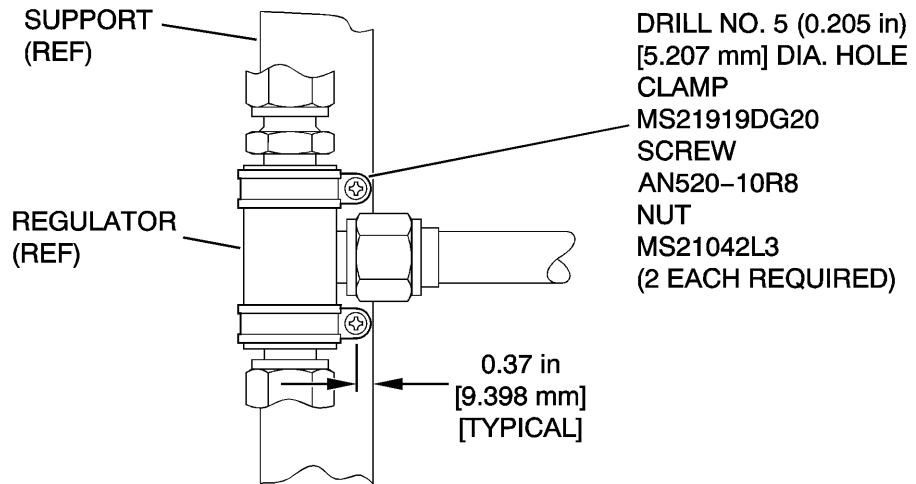
K23-239800-002-02

Replacement of Air Conditioner Evaporator Assembly
Figure 2 (Sheet 2 of 2)

**LEARJET 23/24/25, 28/29, 35/36
Special Spares Kit**



(VIEW LOOKING AFT AT MOTOR COMPRESSOR INSTALLATION)



Detail A

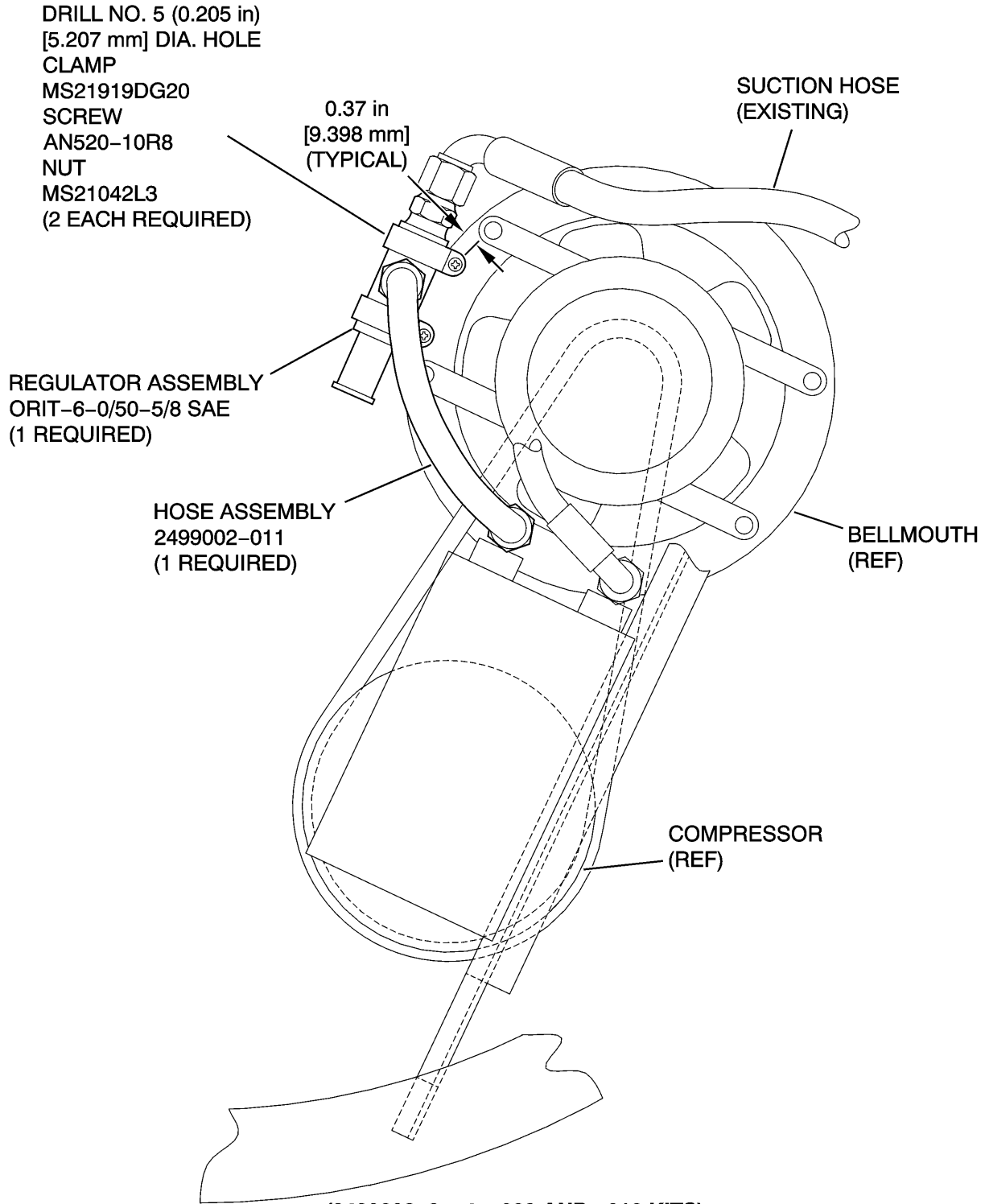
NOTE

1. View typical for regulator installation. Regulator may be mounted on compressor motor mounting panel.

K23-239800-003-01

Installation of Refrigeration Pressure Regulator
Figure 3 (Sheet 1 of 2)

**LEARJET 23/24/25, 28/29, 35/36
Special Spares Kit**



**(2499002-3, -4, -009 AND -010 KITS)
(VIEW LOOKING AFT AT MOTOR COMPRESSOR INSTALLATION)**

K23-239800-003-02

Installation of Refrigeration Pressure Regulator
Figure 3 (Sheet 2 of 2)

SERVICE BULLETIN EVALUATION SHEET

BOMBARDIER

Submit by Email

**YOUR COMMENTS WILL HELP US IMPROVE OUR
SERVICE BULLETINS**

*An email will be opened addressed to the
SB Group and this form will be attached.

SERVICE BULLETIN: SSK 980 REVISION: 1 DATED: June 8, 2009

TITLE: Replacement of Air Conditioning Evaporator Assembly

LEARJET CONTACT INFORMATION

TELEPHONE: (316) 946-2421

FACSIMILE: (316) 946-8876

	POOR	FAIR	GOOD	VERY GOOD	EXCELLENT
HOW EASY IS THE BULLETIN TO UNDERSTAND? COMMENTS <hr/>	<input type="checkbox"/>	<input type="checkbox"/>	<input type="checkbox"/>	<input type="checkbox"/>	<input type="checkbox"/>
DOES THE BULLETIN TELL YOU ALL YOU NEED TO KNOW ABOUT THE JOB? COMMENTS <hr/>	<input type="checkbox"/>	<input type="checkbox"/>	<input type="checkbox"/>	<input type="checkbox"/>	<input type="checkbox"/>
DO YOU THINK THE BULLETIN CONVEYS THE BEST WAY TO DO THE JOB? COMMENTS <hr/>	<input type="checkbox"/>	<input type="checkbox"/>	<input type="checkbox"/>	<input type="checkbox"/>	<input type="checkbox"/>
HOW REALISTIC ARE THE LABOR-HOUR ESTIMATES? COMMENTS <hr/>	<input type="checkbox"/>	<input type="checkbox"/>	<input type="checkbox"/>	<input type="checkbox"/>	<input type="checkbox"/>
WHAT IS YOUR APPRECIATION OF THE ILLUSTRATION(S), FIGURE(S) AND/OR KIT DRAWING(S)? COMMENTS <hr/>	<input type="checkbox"/>	<input type="checkbox"/>	<input type="checkbox"/>	<input type="checkbox"/>	<input type="checkbox"/>

Actual hours to accomplish Service Bulletin: **Access:** _____ **Modify:** _____ **Test(s):** _____ **Restore:** _____

PLEASE SUPPLY THE FOLLOWING NAME: _____

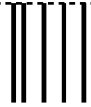
OPERATOR: _____ FACSIMILE: _____

AIRCRAFT: _____ TELEPHONE: _____

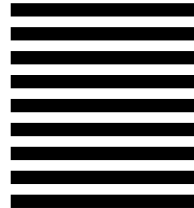
UPON COMPLETION OF THE EVALUATION FORM, YOU MAY FAX TO (316) 946-8876 OR FOLD AND RETURN TO ADDRESS ON THE REVERSE SIDE OR USE THE SUBMIT BUTTON AT THE TOP TO EMAIL IT.

▼ FOLD HERE FIRST ▼

BOMBARDIER



NO POSTAGE
NECESSARY
IF MAILED
IN THE
UNITED STATES



BUSINESS REPLY MAIL
FIRST-CLASS MAIL PERMIT NO. 2928 WICHITA, KS
POSTAGE WILL BE PAID BY ADDRESSEE

ATTN: TECHNICAL PUBLICATIONS (MS #35)
LEARJET INC
PO BOX 7707
WICHITA, KS 67277-9801



▲ FOLD HERE LAST. SEAL WITH TAPE. DO NOT STAPLE ▲

SERVICE BULLETIN COMPLIANCE RESPONSE

BOMBARDIER

It is necessary that Bombardier Learjet record aircraft having complied with this Service Bulletin. Please fill in the Service Bulletin and aircraft information below, sign and date the form in the space provided, fold on dotted lines, seal with tape, and mail completed form to Bombardier Learjet Maintenance Engineering. If mailed within the United States, this form may be mailed to Bombardier Learjet Maintenance Engineering using business reply mail (see reverse). This form may be faxed or e-mailed if preferred. (See mailing information provided.)

***Submit by Email**

*An email will be opened addressed to Fracas and this form will be attached.

Mailing Information:

Bombardier Learjet
Maintenance Engineering
(MS #78) (FAX 316 946-2305)
fracas_usa@aero.bombardier.com
Customer Support
Learjet, Inc.

WARRANTY - Completion of this response form is required in order to process the warranty claim. Therefore, if a warranty allowance is provided in the Service Bulletin, return a copy of this form with the warranty claim.

SMART PARTS - Completion of this response form is required in order to remain, enroll, or re-enroll in the Smart Parts Program.

Service Bulletin Information

SB Title: Replacement of Air Conditioning Evaporator Assembly

Service Bulletin No. SSK 980 Rev No. 1 Date June 8, 2009

Aircraft Information

Model _____ Serial No. _____ Flight Hours _____ Landings _____

Service Facility Information

Facility Incorporating Bulletin _____

Compliance Information

The above referenced Service Bulletin was complied with on the referenced serial number aircraft at the listed aircraft flight hours/landings:

Actual hours to accomplish Service Bulletin: Access _____ Modify _____ Test(s) _____ Restore _____

Name: (Please Print) _____ Date _____

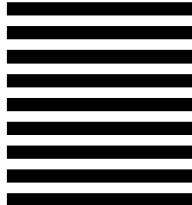
Comments

▼ FOLD HERE FIRST ▼

BOMBARDIER



NO POSTAGE
NECESSARY
IF MAILED
IN THE
UNITED STATES



BUSINESS REPLY MAIL
FIRST-CLASS MAIL PERMIT NO. 2928 WICHITA KS
POSTAGE WILL BE PAID BY ADDRESSEE

ATTN: MAINTENANCE ENGINEERING (MS #78)
LEARJET INC
PO BOX 7707
WICHITA KS 67277-9801



▲ FOLD HERE LAST, SEAL WITH TAPE. DO NOT STAPLE ▲