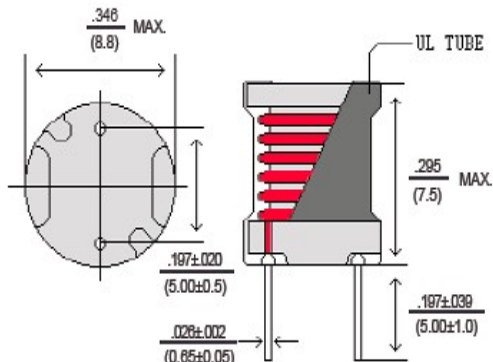




# Radial Bobbin Inductors UBR0807



Dimensions:  $\frac{\text{Inches}}{\text{(mm)}}$



Wilco Part Number	Inductance (uh)	DCR Max	SRF Min (MHz)	Isat (mAmps)	Irms (mAmps)	
					20 C Rise	40 C Rise
UBR0807-2R2K-LF	2.2	0.012	80	6000	5000	7500
UBR0807-2R7K-LF	2.7	0.014	40	5500	4600	6540
UBR0807-3R3K-LF	3.3	0.017	40	5000	4200	5970
UBR0807-3R9K-LF	3.9	0.020	40	4500	3700	5260
UBR0807-4R7K-LF	4.7	0.024	40	4200	3500	4980
UBR0807-5R6K-LF	5.6	0.028	40	4000	3400	4830
UBR0807-6R8K-LF	6.8	0.033	30	3600	3200	4550
UBR0807-8R2K-LF	8.2	0.035	30	3300	3000	4270
UBR0807-100K-LF	10	0.040	30	3100	3000	4200
UBR0807-120K-LF	12	0.050	30	2800	2500	3560
UBR0807-150K-LF	15	0.065	25	2500	2250	3200
UBR0807-180K-LF	18	0.078	20	2300	2070	2940
UBR0807-220K-LF	22	0.100	20	2100	1900	2700
UBR0807-270K-LF	27	0.110	17	1900	1700	2420
UBR0807-330K-LF	33	0.120	15	1700	1500	2130
UBR0807-390K-LF	39	0.160	13	1600	1450	2060
UBR0807-470K-LF	47	0.190	12	1450	1300	1850
UBR0807-560K-LF	56	0.210	11	1300	1200	1710
UBR0807-680K-LF	68	0.280	10	1200	1100	1560
UBR0807-820K-LF	82	0.330	9.0	1100	1000	1420
UBR0807-101K-LF	100	0.400	8.0	1000	900	1300
UBR0807-121K-LF	120	0.450	7.0	900	800	1140
UBR0807-151K-LF	150	0.510	6.0	800	720	1020
UBR0807-181K-LF	180	0.700	5.0	700	630	900
UBR0807-221K-LF	220	0.800	5.0	650	600	850
UBR0807-271K-LF	270	0.900	4.5	600	550	780
UBR0807-331K-LF	330	1.16	4.5	550	500	710
UBR0807-391K-LF	390	1.31	3.5	450	400	570
UBR0807-471K-LF	470	1.75	2.9	400	360	510
UBR0807-561K-LF	560	1.95	2.7	380	350	500
UBR0807-681K-LF	680	2.20	2.6	350	310	440
UBR0807-821K-LF	820	3.00	2.6	320	290	410
UBR0807-102K-LF	1000	3.40	2.6	300	250	400
UBR0807-122K-LF	1200	4.50	2.3	280	240	340
UBR0807-152K-LF	1500	5.20	2.1	250	210	300
UBR0807-222K-LF	2200	8.00	1.5	200	180	260
UBR0807-272K-LF	2700	8.90	1.2	180	170	240
UBR0807-332K-LF	3300	11.8	1.1	150	140	190
UBR0807-392K-LF	3900	13.1	1.0	120	110	160
UBR0807-472K-LF	4700	17.6	1.0	100	100	150
UBR0807-562K-LF	5600	19.6	0.9	100	100	150
UBR0807-682K-LF	6800	27.0	0.8	100	100	140
UBR0807-822K-LF	8200	30.0	0.7	100	100	140
UBR0807-103K-LF	10000	34.0	0.7	100	100	130
UBR0807-123K-LF	12000	46.0	0.6	80	100	130
UBR0807-153K-LF	15000	53.0	0.5	60	80	110
UBR0807-183K-LF	18000	56.0	0.5	50	80	100

**Features:** radial leads small foot print extensive inductance range

**Physical:** packaging 600 pieces per bag marking EIA inductance code

**Electrical:** operating temp. -55C to 115C under no circumstances should the temperature of the part increase to more than 125C Isat based on inductance change by no more than 10% of initial value Irms current at which the temperature of the part will increase by 20 and 40 degrees

Tolerance of inductance 10% over entire range

Wilco Corporation 5352 West 79<sup>th</sup> Street Indianapolis IN 46268

800-611-2343 Fax 317-228-9340 [wilcosales@wilcocorp.com](mailto:wilcosales@wilcocorp.com)

[www.wilcocorp.com](http://www.wilcocorp.com)