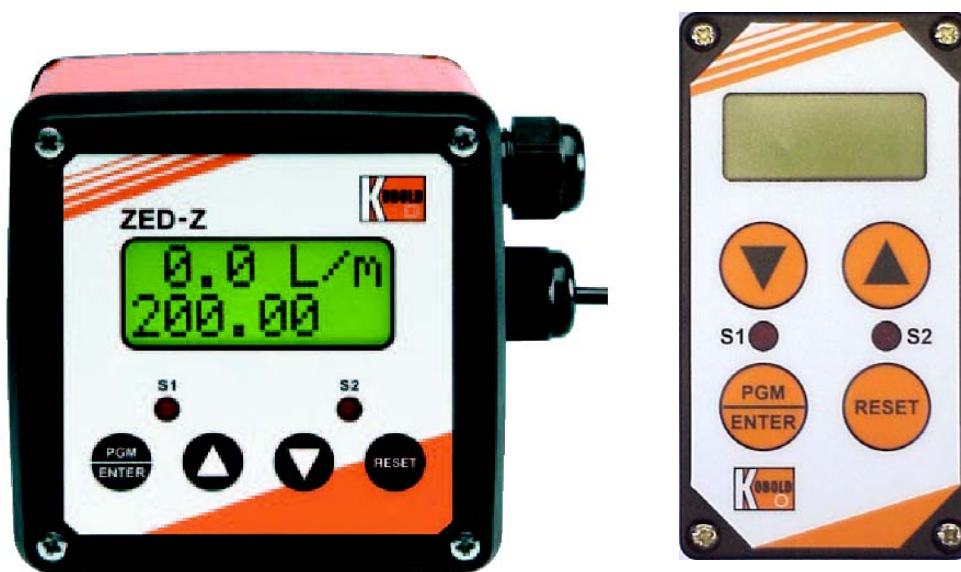


Operating Instructions
for
Counter Electronic
Model: ZED-Z
or DF-...ZLxxx
or *Model-...ExxR*



1. Contents

1. Contents.....	2
2. Note	3
3. Instrument Inspection.....	3
4. Regulation Use.....	3
5. Operating Principle.....	4
6. Electrical Connection	5
6.1 ZED-Z, DRB-...ExxR, DPE-...ExxR field housing and control panel installation.....	5
6.2 DF-...ZLxxx, Model-...ExxR cable connection.....	5
6.3 Model-...ExxR cable connection + plug connection.....	6
6.4 Connection example	6
7. Operation / Configuration / Adjustments	7
7.1 General.....	7
7.2 Function of the control keys.....	8
7.3 Character explanation for main menu.....	9
7.4 General Settings.....	10
7.5 Flow, analogue output and relay 1.....	12
7.6 Relay 2 and volume counter	15
7.7 User alignment and Service-Settings.....	17
7.8 Error report	20
8. Relay Functions	21
8.1 Switching characteristic limit value	21
8.2 Switching characteristic window	21
9. Technical Information.....	22
10. Order Codes	23
11. Dimensions	23
12. EU Declaration of Conformance.....	24

Manufactured and sold by:

Kobold Messring GmbH
Nordring 22-24
D-65719 Hofheim
Tel.: +49(0)6192-2990
Fax: +49(0)6192-23398
E-Mail: info.de@kobold.com
Internet: www.kobold.com

2. Note

Please read these operating instructions before unpacking and putting the unit into operation. Follow the instructions precisely as described herein.

The devices are only to be used, maintained and serviced by persons familiar with these operating instructions and in accordance with local regulations applying to Health & Safety and prevention of accidents.

When used in machines, the measuring unit should be used only when the machines fulfil the EC-machine guidelines.

3. Instrument Inspection

Instruments are inspected before shipping and sent out in perfect condition. Should damage to a device be visible, we recommend a thorough inspection of the delivery packaging. In case of damage, please inform your parcel service / forwarding agent immediately, since they are responsible for damages during transit.

Scope of delivery:

The standard delivery includes:

- Counter Electronic model: ZED-Z or flowmeter incl. Counter Electronic
- Operating Instructions

4. Regulation Use

Any use of the Counter Electronic, model: ZED-Z, which exceeds the manufacturer's specification, may invalidate its warranty. Therefore, any resulting damage is not the responsibility of the manufacturer. The user assumes all risk for such usage.

5. Operating Principle

The evaluation unit changes the frequency signal of the pickup into a 3(4)-digit flow reading with selectable measurement unit (top display line), and into a scalable analogue signal. The flow quantity is added up in a part quantity meter and a total quantity meter and then displayed in the bottom line of the screen. The quantity meter's units of measurement are selectable.

The two relays with floating output changeover contacts continuously monitor if the freely adjustable limits are exceeded or fallen short of. Here, it is possible to choose between threshold value and window monitoring.

Switching point, hysteresis, a window point, and switch on or off delay can be set separately for each relay. The switching points can also be set directly by using the control keys without having to change over into the menu. Alternatively, it is also possible to monitor the quantity meter to see if it is exceeded. A red LED indicates with the switching status.

The analogue output is optionally available as current output with 0(4)...20 mA or as voltage output with 0...10 V. The Parameter names can be shown in the menu in German or English. If used where the flow readings change rapidly, the display can be pacified and the analogue reading averaged by switching on some software. When using analogue output 0 – 10 V the customer must put a jumper between the terminals 7 and 8.

A MIN/MAX reading memory determines the extreme readings of the flow. The display of the readings and the resetting are achieved by using the keys without having to change into the menu. Resetting by using the keys can also be blocked. If the maximum set flow (exceeded range) is exceeded, it will be shown on the display.

The set parameters can be protected against unauthorized alteration by using a password function.

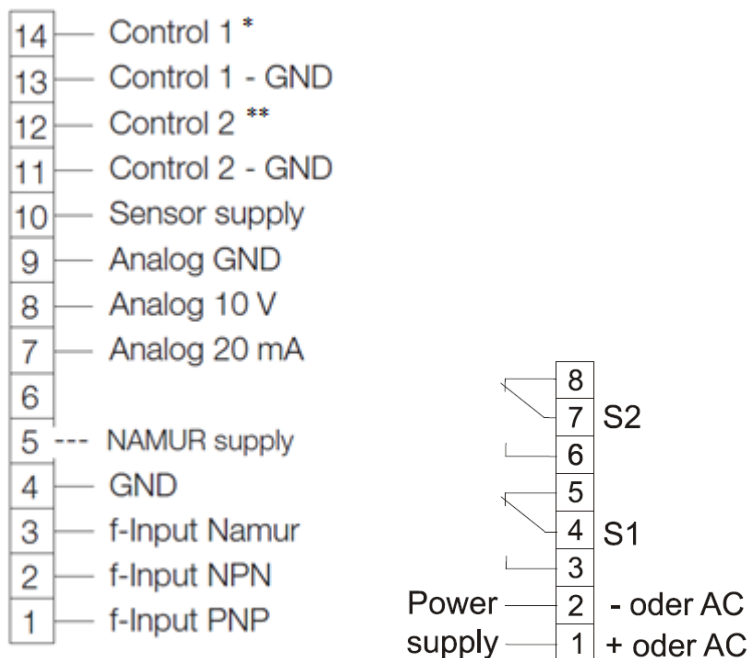
Range of functions

Quantity meter and flow meter with digital display, switch and analogue output:

- Measurement and display total, part and flow quantities
- Free scaling using input of frequency and measured value
- Control input for part quantity reset
- 2 switching outputs, freely programmable as flow monitor or for monitoring the part and total quantity
- Analogue output 0(4)-20 mA oder 0-10 V
- MIN/MAX memory

6. Electrical Connection

6.1 ZED-Z, DRB-...ExxR, DPE-...ExxR field housing and control panel installation



*) Don't connect terminal!

***) Reset TM – GND => reset part quantity counter

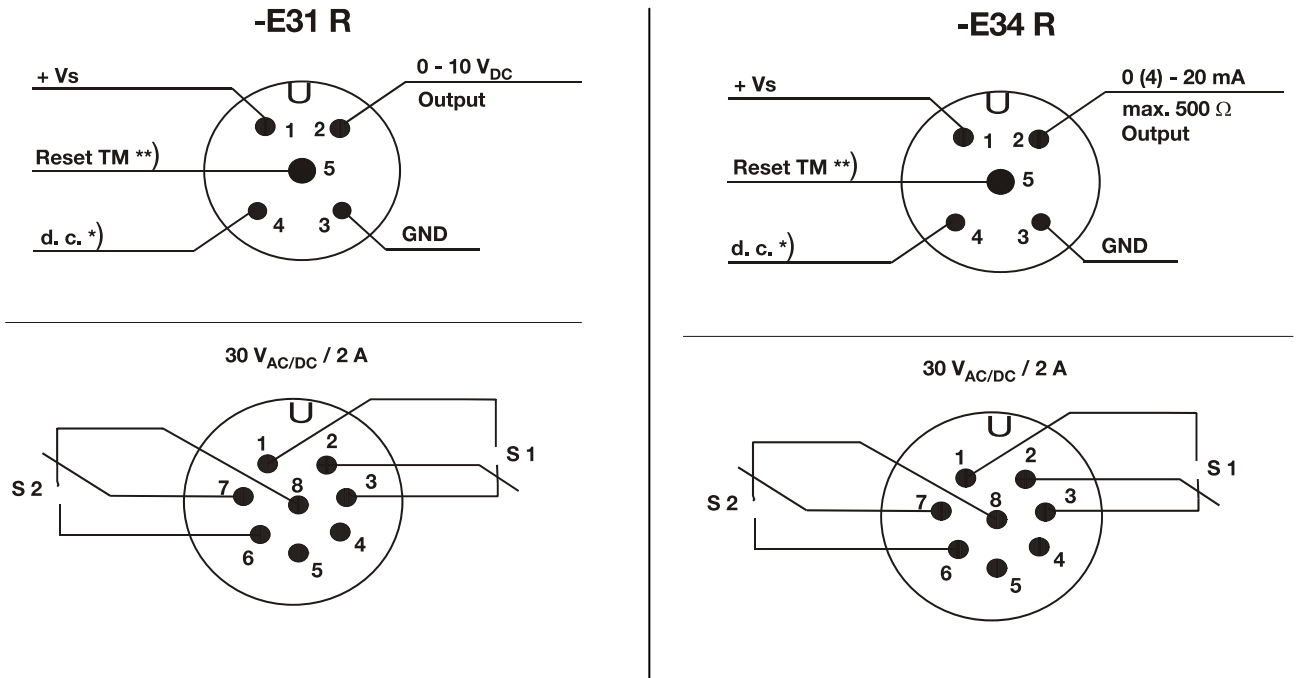
6.2 DF-...ZLxxx, Model-...ExxR cable connection

Wire number	ZED-Counter electronics
1	+24 V _{DC}
2	GND
3	4-20 mA / 0-10 V
4	GND
5	d.c. *)
6	Reset TM
7	Relay S1 N/O
8	Relay S1 COM
9	Relay S2 N/O
10	Relay S2 COM

*) Don't connect terminal!

***) Reset TM – GND => reset part quantity counter

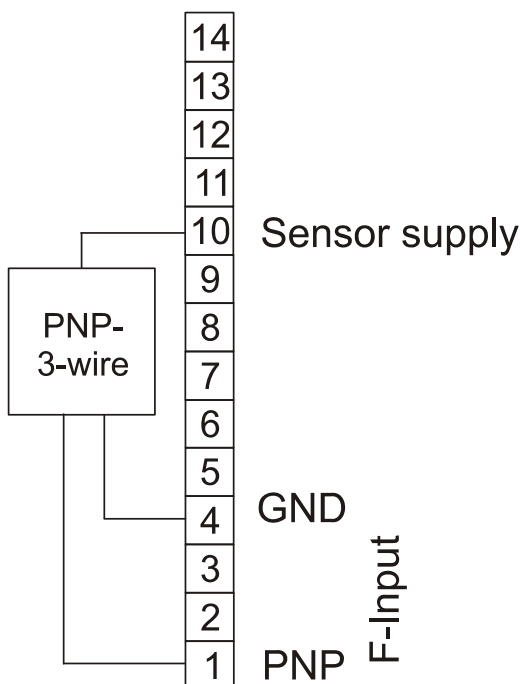
6.3 Model-...ExxR cable connection + plug connection



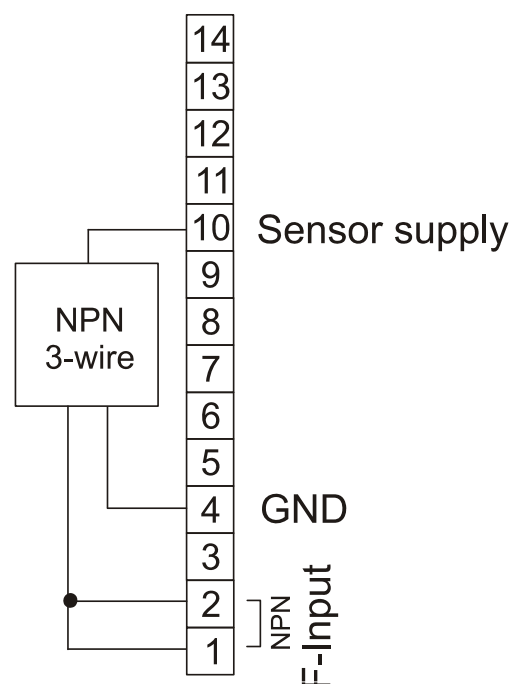
- *) Don't connect contact !
- ***) Reset TM – GND => reset part quantity counter

6.4 Connection example

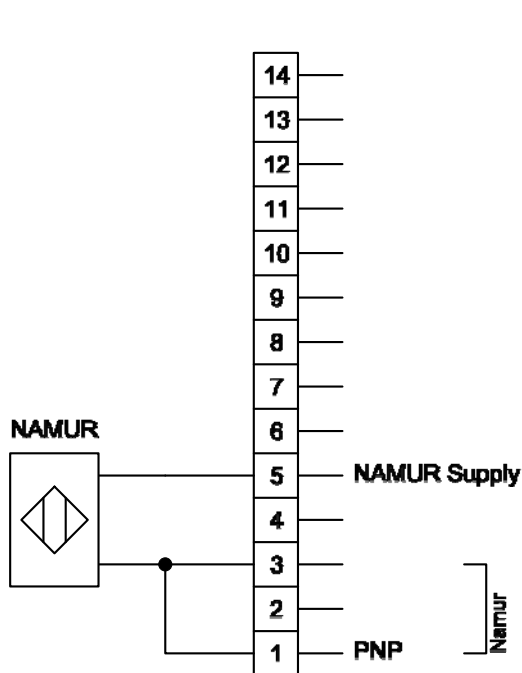
PNP-Sensor



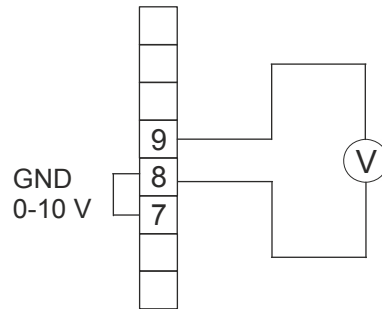
NPN-Sensor



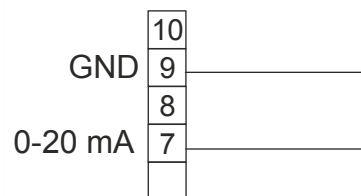
NAMUR-Sensor



analogue output 0-10 V



analogue output 0-20 mA



7. Operation / Configuration / Adjustments

7.1 General

Only the menu items which lines are marked in the selection matrix in grey colour, are available in the respective instrument version.

Italic written values are blinking in the display, if they have been chosen for any input.



The parameter can only be changed, if the security code has been entered correctly! The message „locked“ will appear if the input has not been activated.

7.2 Function of the control keys

Operating mode >Measure< :

PGM/ENTER

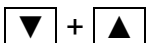
- Press briefly: → a) Display total quantity, then
Display corresponding scale unit or
→ b) Reset status reports.
- Press for 3 sec: → Switch to operating mode >Parameterize<.



- - Press briefly: → Display min. flow value.
- Press for 3 sec: → Enter switching point for Relay S1 **s1SPPoint**
(only if parameter **SPdirect** is set to “yes”).
- .



- - Press briefly: → Display max. flow value.
- Press for 3 sec: → Enter switching point for Relay S2 **s2SPPoint**
(only when parameter **SPdirect** is switched to “yes”).



- Press for 3 sec: → Sets min. and max. value memory to flow value
(only when parameter **fMMReDir** is switched to “yes”).

RESET

- Press for 3 sec: → Sets the part quantity counter to 0.

Operating mode >Parameterize<:**PGM/ENTER**

- Press briefly: → a) Open parameter group or
 → b) Change parameter (go lower in menu level) or
 → c) Adopt value input.
- Press for 3 sec: → Abort input (ESC) and go back one
 menu level.



- Press briefly: → a) Select parameter group or parameter or
 → b) Reduce selected number by 1 or
 → c) Select list value (e.g.... L/m, L/h, m³/m, ...).



- Press briefly: → a) Select parameter group or parameter or
 → b) Increase selected number by 1 or
 → c) Select list value (e.g.... m³/m, L/h, L/m, ...).

RESET

- No function in this mode.



Note: If no button is pressed for 20 seconds during parameterising, the instrument automatically switches back into >measuring< mode.

7.3 Character explanation for main menu

- (e) - Button **PGM/ENTER** press shortly.
- (E) - Button **PGM/ENTER** press and hold for approx. 3 seconds.
- (▼) - Button press shortly.
- (▲) - Button press shortly.

7.4 General Settings

	Level 1 Choose parameter-groups	Level 2 Display parameter, choose functions	Level 3 Enter/change values, carry out functions	DF-...ZLxxx / Model-...ExxR ZED-Z Configurationlevel ZED-Devices Activation with PW = 6571
Operating Mode > MEASURING <	(E) → ← (E) GENERAL ADJUSTM. (▼) ↓	(e) → ← (E) Language german (▼) ↓ (▲) ↑	(e) → ← (E) Language english (▲) → ← (▼) german	<input type="checkbox"/>
		← (E) fUnitFS m3/h (▼) ↓ (▲) ↑	(e) → ← (E) FUnitFS mL/m... (▲) → ← (▼) ...GPH	<input type="checkbox"/>
		← (E) fValueFS 2700m3/h (▼) ↓ (▲) ↑	(e) → ← (E) VALUE INPUT	<input type="checkbox"/>
		← (E) fMinVal 100.0 L/m (▼) ↓ (▲) ↑	(e) → ← (E) VALUE INPUT	<input type="checkbox"/>
		← (E) fPls/rev 3 (▼) ↓ (▲) ↑	(e) → ← (E) fPls/rev 0... (▲) → ← (▼) ...10	<input type="checkbox"/>
		← (E) fJumpVD 5 % (▼) ↓ (▲) ↑	(e) → ← (E) fJumpVD ? % ... (▲) → ← (▼) ... 20 %	<input type="checkbox"/>
		← (E) fOverfV 100 % (▼) ↓ (▲) ↑	(e) → ← (E) fOverfV 100 % ... (▲) → ← (▼) ... 200 %	<input type="checkbox"/>
		← (E) fFactor factory (▼) ↓ (▲) ↑	(e) → ← (E) fFactor customer (▲) → ← (▼) factory	<input type="checkbox"/>
		← (E) UserUnit 115.6271 (▼) ↓ (▲) ↑	(e) → ← (E) VALUE INPUT	<input type="checkbox"/>
		← (E) SPdirect yes (▼) ↓ (▲) ↑	(e) → ← (E) SPdirect no (▲) → ← (▼) yes	<input type="checkbox"/>

GENERAL SETTINGS		
Menu Item	Parameter / Function	Explanation / Values / Other
Language	Select menu language	German or English
fUnitFS *	Measuring unit for flow measurement	mL/s, mL/m, L/s, L/m, L/h, m ³ /m, m ³ /h, GPM, GPH, UU/s, UU/m, UU/h
fValueFS *	Maximum measuring range value for flow measurement	Range = 0,00...99,9..._100...9999
fMinVal *	Minimum measuring range value for flow measurement	Basis is fValueFS and fUnitFS If the level drops below this, the flow indicator goes to 0.
fPIs/rev*	Impulse per sensor wheel revolution	Number of impulses per revolution of the sensor wheel or the like Necessary for long-term period averaging if the readings per revolution vary. The function is switched off when the input value is 1.
fJumpVD*	Flow switch value for attenuation cut-off	Value in %, basis is fValueFS and fUnitFS. Attenuation does not function if the switch value is 0%.
fOverfIV *	Flow overflow value (overflow)	Value in %, basis is fValueFS and fUnitFS. If exceeded, an M100 report is generated and faded in, alternating with the flow indicator. The report is saved and can be reset by briefly pressing the PGM key.
fFactor	Select pulse ration	Selection of works calibration or user calibration. (only for devices Model DF-...ZLxx and Model-...ExxR)
UserUnit.	Special volume unit	Customer-specific special unit UU. The value entered corresponds to the number of litres of the special unit, e.g. in the case of the unit <i>Barrel</i> the factor would for example be 115.6271.
SPdirect	Activation of direct input switching point	yes: Direct input of switching points s1SPoint and s2SPoint is possible using the keys (default). no: The switching points can only be set in the menu .

*) Only for ZED devices: Device-specific parameter, is only visible after activation in the **SecCode** menu item in the **SERVICE** menu group, and can be changed.

7.5 Flow, analogue output and relay 1

	Level 1 Choose parameter-groups	Level 2 Display parameter, choose functions	Level 3 Enter/change values, carry out functions		DF-...ZLxxx / Model-...ExxR	ZED-Z	Configuration level ZED-Devices Activation with PW = 6571
Operating Mode > MEASURING <	(▲) ↑ ← (E) FLOW (▼) ↓	(e) → fUnit ← (E) L/h	(e) → fUnit ← (E) mL/m...	(▲) → fUnit ← (▼) ...GPH			
		(e) → fDamping ← (E) 3 sec	(e) → fDamping ← (E) 0 sec...	(▲) → fDamping ← (▼) ...10 sec			
		(e) → fMMReDir ← (E) yes	(e) → fMMReDir ← (E) no	(▲) → fMMReDir ← (▼) yes			
		(e) → fMMRST ← (E) no	(e) → fMMRST ← (E) yes	(▲) → fMMRST ← (▼) no			
	(▲) ↑ ← (E) ANALOGUE OUTPUT (▼) ↓	(e) → aLIFE 0 ← (E) 4mA	(e) → aLIFE 0 ← (E) 0mA	(▲) → aLIFE 0 ← (▼) 4mA	(if Ana. Output = current)		
		(e) → aLIFE 0 ← (E) 2V	(e) → aLIFE 0 ← (E) 2V	(▲) → aLIFE 0 ← (▼) 2V	(if Ana. Output = voltage)		
		(e) → aLowFlow ← (E) 50,0 L/h	(e) → VALUE INPUT ← (E)				
		(e) → aHighFlo ← (E) _150 L/h	(e) → VALUE INPUT ← (E)				
	(▲) ↑ ← (E) RELAY S1 (▼) ↓	(e) → s1Funct. ← (E) Flow	(e) → s1Funct. ← (E) PA-Limit...	(▲) → s1Funct. ← (▼) ...TA-Limit			
		(e) → s1Char. ← (E) Limit	(e) → s1Char. ← (E) Window...	(▲) → s1Char. ← (▼) ...Limit	(only if s1Funct. = Flow)		
		(e) → s1Logic ← (E) normal	(e) → s1Logic ← (E) inverse	(▲) → s1Logic ← (▼) normal			
		(e) → s1SPoint ← (E) 8,0 L/h	(e) → VALUE INPUT ← (E)		(only if s1Funct. = Flow)		
(e) → s1Hyste ← (E) _2,0 L/h		(e) → VALUE INPUT ← (E)		(only if s1Funct. = Flow)			
(e) → s1WPoint ← (E) 18,0 L/h		(e) → VALUE INPUT ← (E)		(only if s1Funct. = Flow und s1Char. = Window)			
(e) → s1SDelay ← (E) _1,0 sec		(e) → VALUE INPUT ← (E)		(only if s1Funct. = Flow)			
(e) → s1RDelay ← (E) 20,0 sec		(e) → VALUE INPUT ← (E)		(only if s1Funct. = Flow)			
(e) → s1PA-Lim ← (E) 100,0		(e) → VALUE INPUT ← (E)		(only if s1Funct. = PA-Lim)			
(e) → s1TA-Lim ← (E) 2000,0		(e) → VALUE INPUT ← (E)		(only if s1Funct. = TA-Lim)			

FLOW		
Menu Item	Parameter / Function	Explanation / Values / Other
fUnit	Unit of flow indicator	mL/s, mL/m, L/s, L/m, L/h, m ³ /m, m ³ /h, GPM, GPH, UU/s, UU/m, UU/h
fDamping	Attenuation of reading fluctuations in the flow indicator	The attenuation pacifies the flow indicator. The attenuation value is the approximate equivalent of the setting time of the display value to c. 90% of a measured value jump in seconds. (Parameter is blocked at DF-...ZLxxx devices).
fMMReDir	Resets the Min/Max flow value directly using the keys, without using the menu	yes: direct resetting of the Min/Max value memory by simultaneously pressing (3 sec) the (+) and (-) keys (default). no: memory reset only possible with fMMRST.
fMMRST	Resets the Min/Max flow value memory of the flow indicator	yes: Resets Min / Max value memory for the flow no: No action.

ANALOGUE OUTPUT		
Menu Item	Parameter / Function	Explanation / Values / Other
aLIFE 0	Select Life Zero	Offset at power output: 0 mA or 4 mA at 0-10 V Δ 0 mA \rightarrow 0 V and 4 mA \rightarrow 2 V
aLowFlow	Flow reading at 0/4 mA or 0/2 V	Lower flow reading of gauged output range, value has the same unit as the flow indicator
aHighFlo	Flow reading at 20 mA or 10 V	Upper flow reading of gauged output range, value has the same unit as the flow indicator

RELAY S1		
Menu Item	Parameter / Function	Explanation / Values / Other
s1Funct.	Relay1 Function selection	Flow.: Monitoring of an adjustable flow value (s1SPoint). TA Limit: Monitoring of an adjustable total volume (s1TA-Lim). PA-Limit: Monitoring of an adjustable part volume (s1PA-Lim). see → 8.0 Relay functions
s1Char.	Relay1 Switch characteristic	Limit: Monitoring a reading (s1SPoint). Window: Monitoring an adjustable measuring range (s1SPoint...s1Fpunkt). (only if s1Funct. is set to Flow)
s1Logic	Relay1 Switch logic	normal: Relay 1 activated when the limit value is exceeded. invers: Relay 1 drops out when the limit value is exceeded.
s1SPoint	Relay1 Switchpoint	Reading is in the same units as the flow indicator. (only if s1Funct. is set to Flow)
s1Hyste	Relay1 Hysteresis	Reading is in the same units as the flow indicator. (only if s1Funct. is set to Flow)
s1FPoint	Relay1 Windowpoint	Reading is in the same units as the flow indicator. (only if s1Funct. is set to Flow und s1Char. auf Window)
s1SDelay	Relay1 Switch delay	Delays the switching of the relay when the limit value is exceeded. Range: 0,0...99,9 sec (only if s1Funct. is set to Flow)
s1RDelay	Relay1 Reset delay	Delays the switching of the relay when the limit value is undershot. Range: 0,0...99,9 sec (only if s1Funct. is set to Flow)
s1PA-Lim	Relay1 Part volume limit value	Limit value for monitoring the part volume counter. Reading is in the same units as the part volume unit (PA-Unit.) in counter menu group. (only if s1Funct. Is set to GM Limit)
s1TA-Lim	Relay1 Total volume limit value	Limit value for monitoring the total volume counter. Reading is in the same units as the total volume unit (TA-Unit) in counter menu group. (only if s1Funct. Is set to TA Limit)

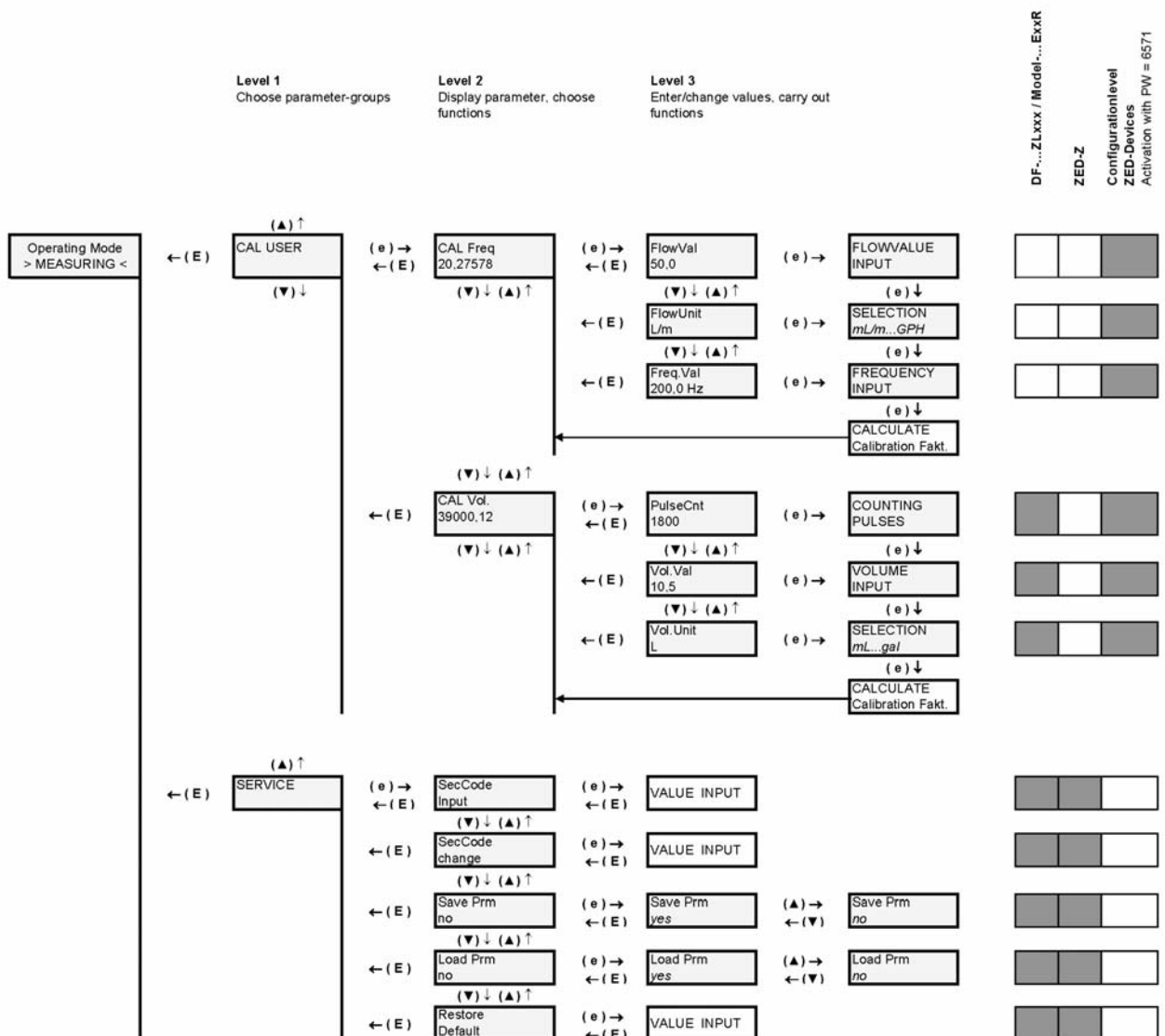
7.6 Relay 2 and volume counter

	Level 1 Choose parameter-groups	Level 2 Display parameter, choose functions	Level 3 Enter/change values, carry out functions		DF...ZLxxx / Model...Extr	ZED-Z	Configurationlevel ZED-Devices Activation with PW = 6571
Operating Mode > MEASURING <	RELAY S2	(e) → s2Funct. Flow	(e) → s2Funct. PA-Limit...	(▲) → s2Funct. ...TA-Limit			
		← (E) s2Char. Limit	(e) → s2Char. Window	(▲) → s2Char. Limit	(only if s2Funct. = Flow)		
		← (E) s2Logic normal	(e) → s2Logik inverse	(▲) → s2Logik normal			
		← (E) s2SPoint 8,0 L/h	(e) → VALUE INPUT		(only if s2Funct. = Flow)		
		← (E) s2Hyste 2,0 L/h	(e) → VALUE INPUT		(only if s2Funct. = Flow)		
		← (E) s2WPoint 12,0 L/h	(e) → VALUE INPUT		(only if s2Funct. = Flow and s2Char. = Window)		
		← (E) s2SDelay 10,0 sec	(e) → VALUE INPUT		(only if s2Funct. = Flow)		
		← (E) s2RDelay 20,0 sec	(e) → VALUE INPUT		(only if s2Funct. = Flow)		
		← (E) s2PA-Lim 100,0	(e) → VALUE INPUT		(only if s2Funct. = PA-Lim)		
		← (E) s2TA-Lim 2000,0	(e) → VALUE INPUT		(only if s2Funct. = TA-Lim)		
	VOLUME COUNTER	(e) → PA-Unit L	(e) → PA-Unit mL...	(▲) → PA-Unit ...gal			
		← (E) PA =0? no	(e) → PA =0? yes	(▲) → PA =0? no			
		← (E) PA0Dirct yes	(e) → PA0dirct no	(▲) → PA0dirct yes			
		← (E) TA-Unit m³	(e) → TA-Unit mL...	(▲) → TA-Unit ...gal			
		← (E) TA =0? no	(e) → TA =0? yes	(▲) → TA =0? no			

RELAY S2		
Menu Item	Parameter / Function	Explanation / Values / Other
s2Funct.	Relay2 Function selection	Flow : Monitoring of an adjustable flow value (s2SPoint). TA-Limit: Monitoring of an adjustable total volume (s2TA-Lim). PA-Limit: Monitoring of an adjustable part volume (s2PA-Lim). see → 8.0 Relay functions
s2Char.	Relay2 Switch characteristic	Limit: Monitoring a reading (s2SPoint). Window: Monitoring an adjustable measuring range (s2SPoint...s12punkt). (only if s2Funct. is set to Flow)
s2Logic	Relay2 Switch logic	normal: Relay 2 activated when the limit value is exceeded. invers: Relay 2 drops out when the limit value is exceeded.
s2SPoint	Relay2 Switchpoint	Reading is in the same units as the flow indicator. (only if s2Funct. is set to Flow)
s2Hyste	Relay2 Hysteresis	Reading is in the same units as the flow indicator. (only if s2Funct. is set to Flow)
s2FPoint	Relay2 Windowpoint	Reading is in the same units as the flow indicator. (only if s2Funct. is set to Flow) and s2Char. is set to Window)
s2SDelay	Relay2 Switch delay	Delays the switching of the relay when the limit value is exceeded. Range: 0,0...99,9 sec (only if s2Funct. is set to Flow)
s2RDelay	Relay2 Reset delay	Delays the switching of the relay when the limit value is undershot. Range: 0,0...99,9 sec (only if s2Funct. is set to Flow)
s2PA-Lim	Relay2 Part volume limit value	Limit for monitoring the part volume counter. Reading is in the same units as the part volume units (PA-Unit.) in the counter menu group. (only if s2Funct. is set to PA-Limit)
s2TA-Lim	Relay2 Total volume limit value	Limit for monitoring the total volume counter. Reading is in the same units as the total volume units (TA-Unit) in the counter menu group. (only if s2Funct. is set to TA-Limit)

VOLUME COUNTER		
Menu Item	Parameter / Function	Explanation / Values / Other
PA-Unit.	Units on the part volume indicator	mL, L, m ³ , gal, mgal, UU
PA =0?	Set part volume counter to 0	yes: Part volume counter is set to 0 no: No action
PA0direct	0-setting option of the part volume counter released using the reset key	yes: Released (default) no: Blocked
TA-Unit	Measuring units on the total volume indicator	mL, L, m ³ , gal, mgal, UU
TA =0?	Set total volume counter to 0	yes: Total volume counter is set to 0 no: No action

7.7 User alignment and Service-Settings



USER CALIBRATION	
Menu Item	Function / Description
CAL Freq*	<p>Calibrate by entering frequency and flow.</p> <p>In the menu item CAL Freq the bottom line always shows the current pulse value of the User calibration.</p> <p>Calibration process:</p> <ol style="list-style-type: none"> FlowVal Enter nominal flow value of the sensor. > (e) press > FlowUnit Enter unit for flow value. > (e) press > Freq.Val. Enter nominal frequency > finish with (e). <p>The new pulse value of the User calibration is calculated from these three values and saved as user calibration for the flow measurement, e.g. 20.2757 pls./litre.</p>
CAL Vol.	<p>Calibration process using impulse counting and volume input (cc procedure).</p> <p>In the menu item CAL Vol. the bottom line always shows the current pulse value of the User calibration.</p> <p>Calibration process:</p> <ol style="list-style-type: none"> PulseCnt measures number of impulses (e) press > start counter (impulses are counted) > (e) press > stops counter. Vol.Val Enter measured volume value > (e) press. Vol.Unit Enter unit for volume value > finish with (e). <p>The pulse value of the User calibration is calculated from these three values and is saved as the user calibration for the flow measurement, e.g. 3900,5 pls./L.</p>

*) CAL Freq – Only possible with ZED devices.



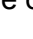
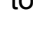
Note: With ZED devices it is necessary to enable the device-specific parameter input in the menu item **SecCode in the menu **SERVICE** in order to activate the **USER-ABGLEICH** function.**



Note: If the new pulse ratio will be used for measurement, than the menu item **fFaktor in the menu group **General Settings** must be setted to **USER** calibration.**

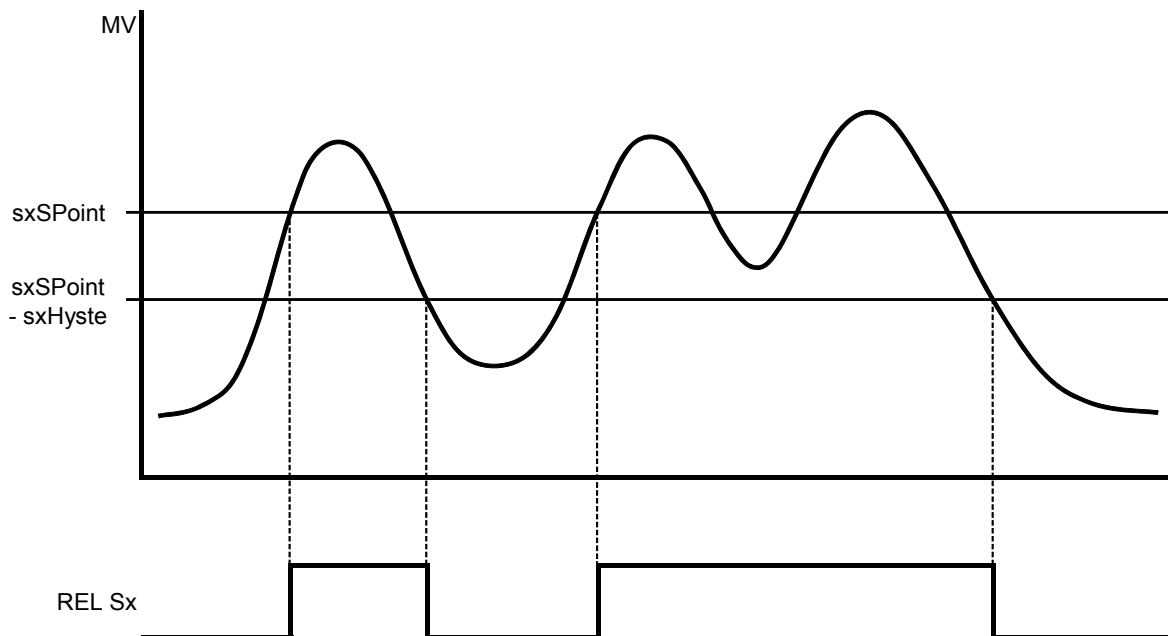
SERVICE		
Menu Item	Function	Explanation / Values / Other
SecCode Input	Enter security code	Input of 4-digit security code and enablement of the parameter change. The following passwords have been defined: 3461 – General menu release 6571 – Activates the device-specific parameters (only ZED und Model-devices)
SecCode change	Change security code	Define or change security code for the first time or change. If no code (= 0000) has been set, then the parameter values set are unsecured!
Save Prm	Save parameter record	Save current settings
Load Prm	Load parameter record	Restore saved settings (reload).
Restore Default	Reset to works default settings	Load initial setting with password 2541. The function is blocked when the sensor has been factory-calibrated (only Model-devices).

7.8 Error report

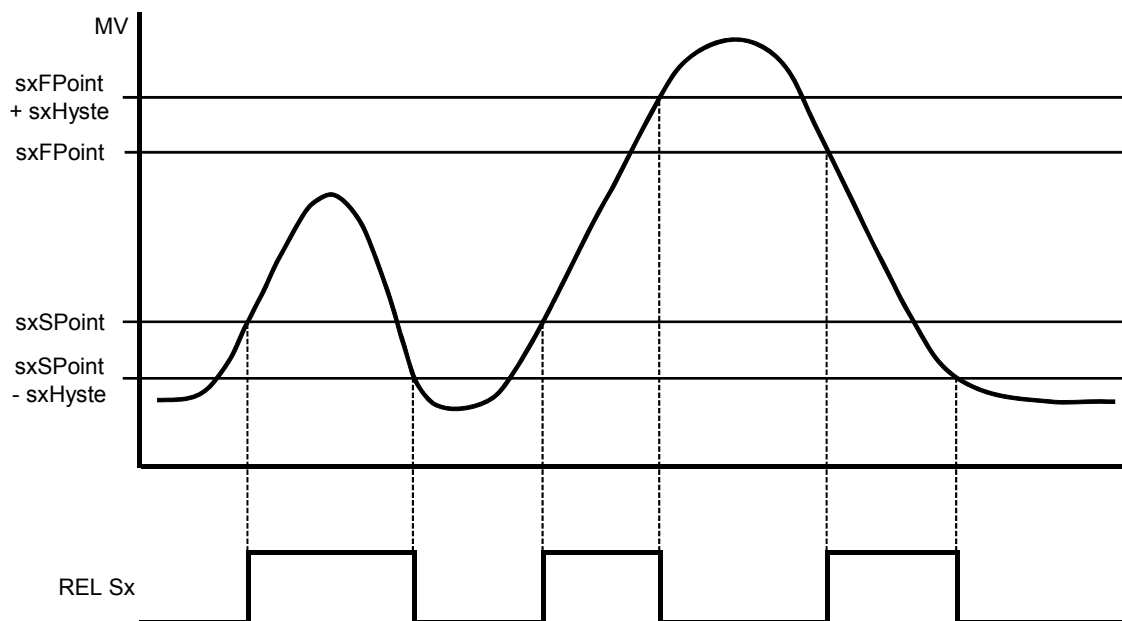
Error code	Reason	Reset
E102	UU User unit may not be ≤ 0	Correct parameter
E142	Distance between upper and lower analogue value too small (based on the actual flow)	Correct parameter
E143	Distance between upper and lower analogue value too small (based on the dosing amount)	Correct parameter
E 161	Value is greater than maximum measuring range value.	Correct parameter
E162	Hysteresis too large	Correct parameter
E 163	Window point is lower than switching point.	Correct parameter
E242	Frequency must be between 0,2 and 2000 Hz	Correct parameter
E245	Calculated pulse value out of valid range	Correct parameter
E300	Error memory value of totalising/part counter	Keep  +  pressed about 20 seconds
M100	Overflow	Acknowledge with PGM button
####	Value does not fit in the display	Choose suitable measuring unit

8. Relay Functions

8.1 Switching characteristic limit value



8.2 Switching characteristic window



9. Technical Information

Display:	2 x 8-digit alphanumeric, LCD module, illuminated
Display rate:	1 s ⁻¹
Flow display:	3- or 4-digit (XX.X, X.XX or XXXX)
Flow units:	mL/s, mL/m, L/s, L/m, L/h, m ³ /m, m ³ /h, GPM, GPH, user unit per h/min/s selectable
Quantity meter:	8-digit
Quantity units:	mL, L, m ³ , gal, mgal, user unit selectable
Measurement input:	0.2...2000 Hz (5...24 V _{DC}), TTL, PNP, NPN, Namur
Parameter input:	menu controlled, German or English
Parameter protection:	4-digit password
Control elements:	4 keys
Custom. comparison:	by entering the frequency and measured value Or in the Teach-In procedure (level calibration)
Control input:	reset function
Relay outputs:	2 x changer max. 250 V _{AC/DC} max. 5 A / 1000 VA
Voltage supply:	24 V _{DC} ± 20 %, approx. 80 mA or 90...250 V _{AC} / max. 3 VA
Analogue output:	0(4)-20 mA Load: max. 500 Ω (300 Ω at AC-Supply) or 0-10 V (Load: > 100kΩ)
Sensor supply:	23 V (at 24 V _{DC}) / max. 50 mA 24 V (AC-supply) / max. 50 mA
NAMUR supply:	8.2 V _{DC}
Ambient temp.:	-20...+70 °C
Dimensions:	96 x 96 x 109 mm (LxWxD) incl. screw clamp (control panel installation) 117 x 117 x 127 mm (LxWxD) (field casing)
Aperture size:	92 ^{+0.8} x 92 ^{+0.8} mm (control panel installation)
Casing material:	fibreglass reinforced Noryl, (control panel installation) powder coated aluminium/PA 66 (field casing)
Protection type:	IP 40 on front clamp IP 00 (control panel installation) IP 65 (field casing)
Mounting:	mounting clip Form B (DIN 43 835) (control panel installation) wall and pipe mounting (field casing)
Connection:	plug-in terminal strip (control panel installation) cable connection (field casing)
Weight:	approx. 360 g (control panel installat.) approx. 1240 g (field casing)

10. Order Codes

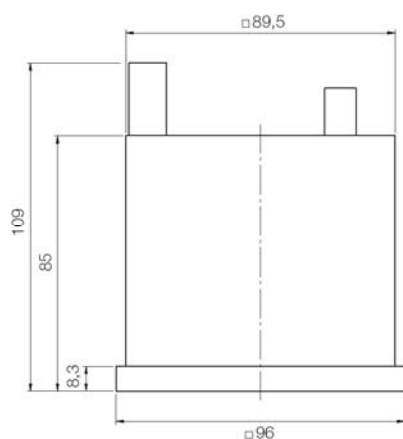
(Order example: ZED-ZF10 KS 4R P)

Supply	Model	Electrical connection	Analogue output	Casing
90-250 V _{AC}	ZED-ZF10	KS = terminal strip (control panel installation) MS = cable connection M 18 (Feldgehäuse)	4R = 0(A)-20 mA 1 R = 0-10 V	P = control panel installation 96x96 mm F = field casing 116 x116 mm S = field casing with wall mount, infinitely variable pivotable R = field casing with pipe mounting
24 V _{DC}	ZED-ZF13			

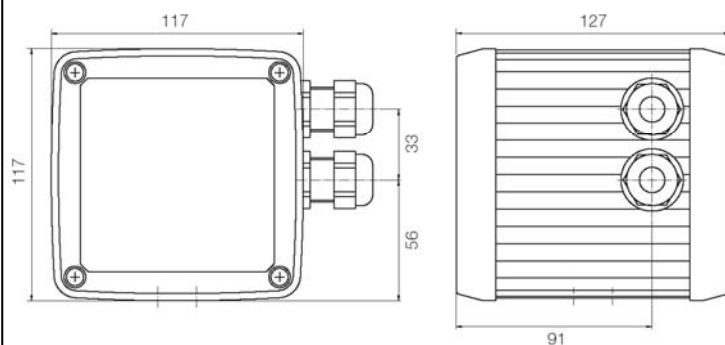
The order details of a ZED electronic in combination with a flow sensor can be found in the data sheet of the measuring device.

11. Dimensions

ZED-Z Control panel installation (casing P)



ZED-Z field housing



12. EU Declaration of Conformance

We, KOBOLD Messring GmbH, Hofheim-Ts, Germany, declare under our sole responsibility that the product:

Counter Electronic Model: ZED-Z

to which this declaration relates is in conformity with the standards noted below:

EN 61326-1:2013

Electrical equipment for control and instrumentation technology and laboratory use – EMC-requirements (industrial area)

EN 61010-1:2011

Safety requirements for electrical measuring-, control- and laboratory instruments.

EN 60529:2014

Protection type housing (IP-Code)

Also the following EC guidelines are fulfilled:

2014/30/EU

EMC Directive

2014/35/EU

Low Voltage Directive

2011/65/EU

RoHS (category 9) industrial monitoring and control instruments, compliant, no CE-marking for the transitional period until 2017

Hofheim, 17. May 2016



H. Peters
General Manager



M. Wenzel
Proxy Holder