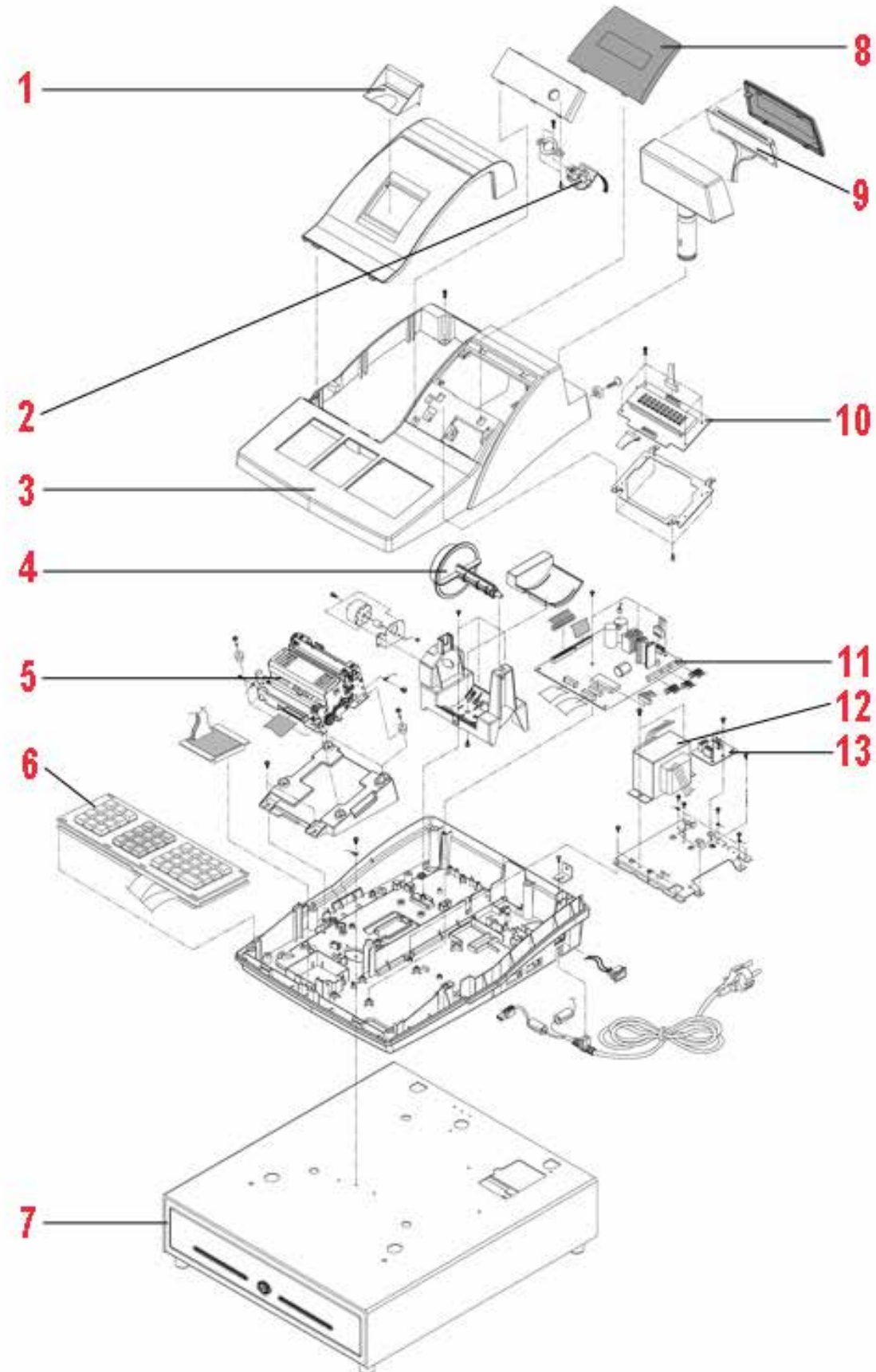


## ER-350II Replacement Parts



Ref. No.	CRS Item No.	Description
01	102006	Journal Window ER-350/350li
02	300537	Samsung Control Lock
03	102000	Upper Case Samsung ER-350/380
04	102020	Take-Up Spool ER-350-II
05	531000	Printer Assy - SDM-310
06	500999	Keyboard Assy ER-350-II N/S
07	160257	Drawer Model 57 ECR Ivory 24V

Ref. No.	CRS Item No.	Description
08	102002	Display Window ER-350
09	501039	Display Turret ER-290
10	501354	Pba Display ER-380
11	501428	Logic Board ER-350-II
12	202999	Transformer 655/350-II/650-II/51
13	501349	PBA Sub-Power SW ER-5200,15,40