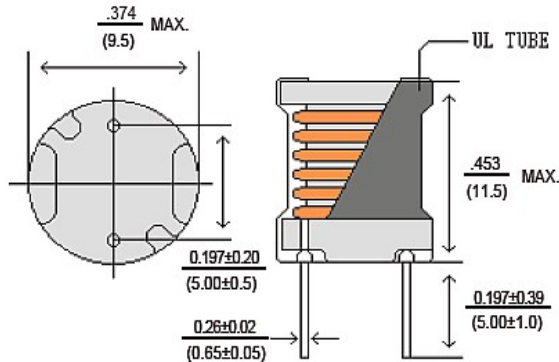




Radial Bobbin Inductors UBR0810



Dimensions: $\frac{\text{Inches}}{\text{(mm)}}$



Wilco Part Number	Inductance (uh)	DCR Max	SRF Min (MHz)	Isat (mAmps)	I _{rms} (mAmps)	
					20 C Rise	40 C Rise
UBR0810-100K-LF	10	0.03	22	4200	4000	5300
UBR0810-120K-LF	12	0.035	20	3900	3750	5100
UBR0810-150K-LF	15	0.04	17	3600	3520	4800
UBR0810-180K-LF	18	0.04	15	3300	3300	4500
UBR0810-220K-LF	22	0.05	12	2900	3200	4200
UBR0810-270K-LF	27	0.055	12	2600	2870	3900
UBR0810-330K-LF	33	0.075	11	2400	2650	3600
UBR0810-390K-LF	39	0.085	10.3	2200	2440	3300
UBR0810-470K-LF	47	0.1	9.5	2000	2220	3000
UBR0810-560K-LF	56	0.12	8.6	1800	2000	2700
UBR0810-680K-LF	68	0.15	7.5	1600	1770	2400
UBR0810-820K-LF	82	0.19	6.6	1500	1540	2100
UBR0810-101K-LF	100	0.2	5.5	1400	1300	1800
UBR0810-121K-LF	120	0.24	5.3	1200	1220	1700
UBR0810-151K-LF	150	0.34	4.5	1100	1140	1600
UBR0810-181K-LF	180	0.36	4.4	1000	1060	1500
UBR0810-221K-LF	220	0.48	4.4	920	980	1400
UBR0810-271K-LF	270	0.55	4.0	840	900	1300
UBR0810-331K-LF	330	0.65	3.5	750	820	1100
UBR0810-391K-LF	390	0.85	3.0	700	850	1000
UBR0810-471K-LF	470	1	2.5	630	670	900
UBR0810-561K-LF	560	1.1	2.3	580	590	800
UBR0810-681K-LF	680	1.4	2.0	520	510	700
UBR0810-821K-LF	820	1.9	2.0	480	430	600
UBR0810-102K-LF	1000	2.2	2.0	430	350	500
UBR0810-122K-LF	1200	2.8	1.6	400	330	470
UBR0810-152K-LF	1500	3.2	1.3	350	310	450
UBR0810-182K-LF	1800	3.6	1.3	320	290	420
UBR0810-222K-LF	2200	4.8	1.3	290	270	390
UBR0810-272K-LF	2700	5.6	1.2	260	250	360
UBR0810-332K-LF	3300	7.6	1.0	240	230	330
UBR0810-392K-LF	3900	8.9	0.9	220	210	310
UBR0810-472K-LF	4700	9.6	0.9	200	220	280
UBR0810-562K-LF	5600	12	0.8	180	180	250
UBR0810-682K-LF	6800	14	0.7	160	160	230
UBR0810-822K-LF	8200	17.5	0.6	150	140	200
UBR0810-103K-LF	10000	21	0.6	130	120	170
UBR0810-123K-LF	12000	28	0.5	120	110	140
UBR0810-153K-LF	15000	32	0.5	110	100	140
UBR0810-183K-LF	18000	36	0.4	100	90	120

Features: radial leads small foot print extensive inductance range

Physical: packaging 600 pieces per bag marking EIA inductance code

Electrical: operating temp. -55C to 115C under no circumstances should the temperature of the part increase to more than 125C Isat based on inductance change by no more than 10% of initial value I_{rms} current at which the temperature of the part will increase by 20 and 40 degrees

Test Frequency: 100KHz, .01V Tolerance of inductance 10% over entire range

Wilco Corporation 5352 West 79th Street Indianapolis IN 46268

800-611-2343 Fax 317-228-9340 wilcosales@wilcocorp.com

www.wilcocorp.com