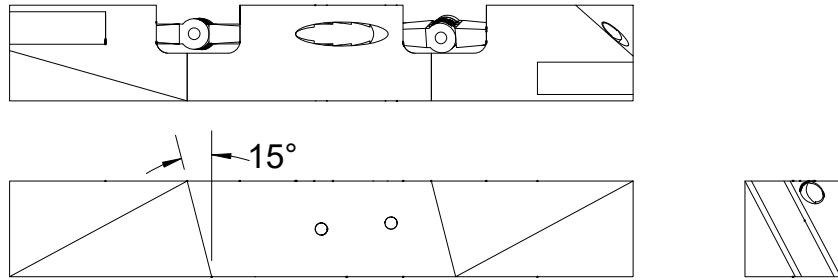
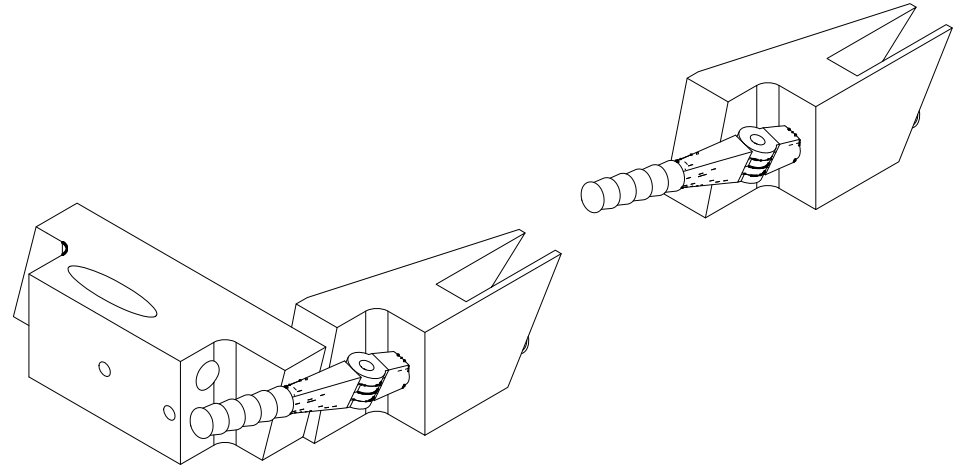


# GENERAL NOTES

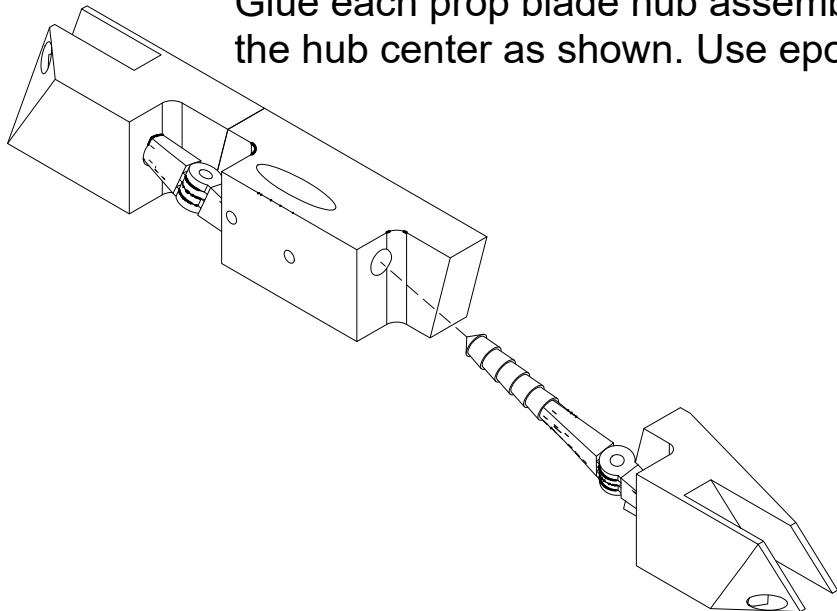
## Part Arrangement



Insert the Robart hinge point into the prop blade retaining hubs. Glue the hinge points into the prop blade hubs. Use the center hub to set the forward slant angle of the hinge point as shown. Use epoxy.



Glue each prop blade hub assembly to the hub center as shown. Use epoxy.



Trim excess hinge point arm lengths.

