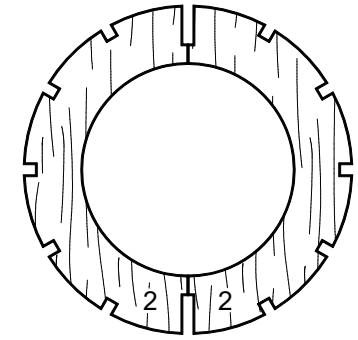
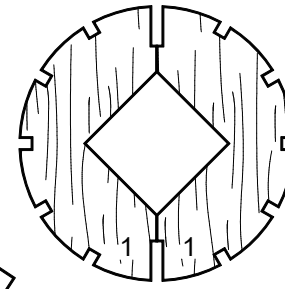
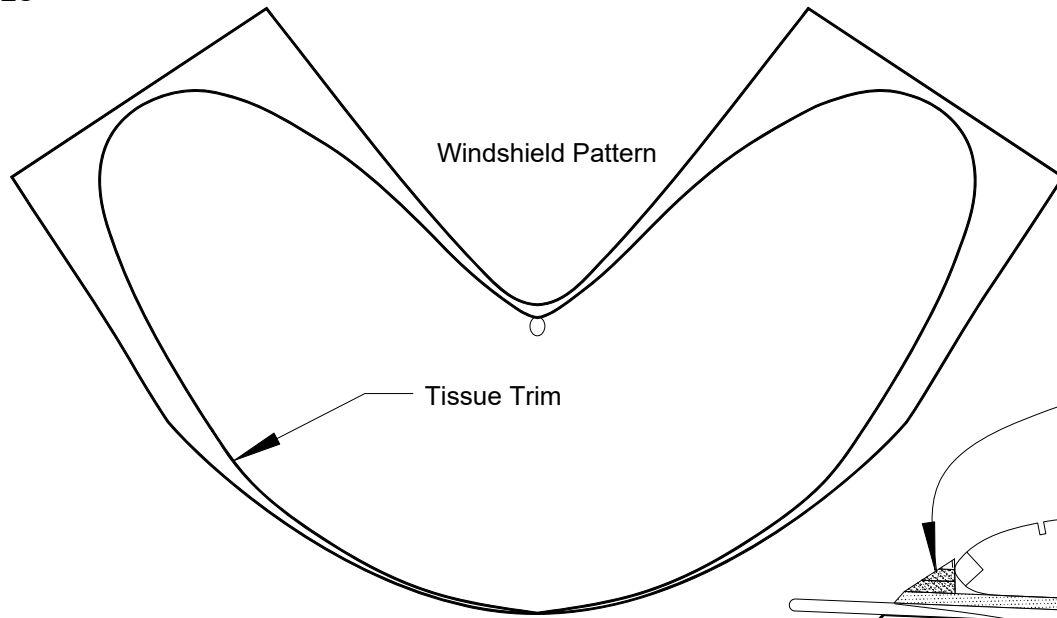


# Skipper - 24

Wingspan - 24"

CAD Drawing by Paul Bradley

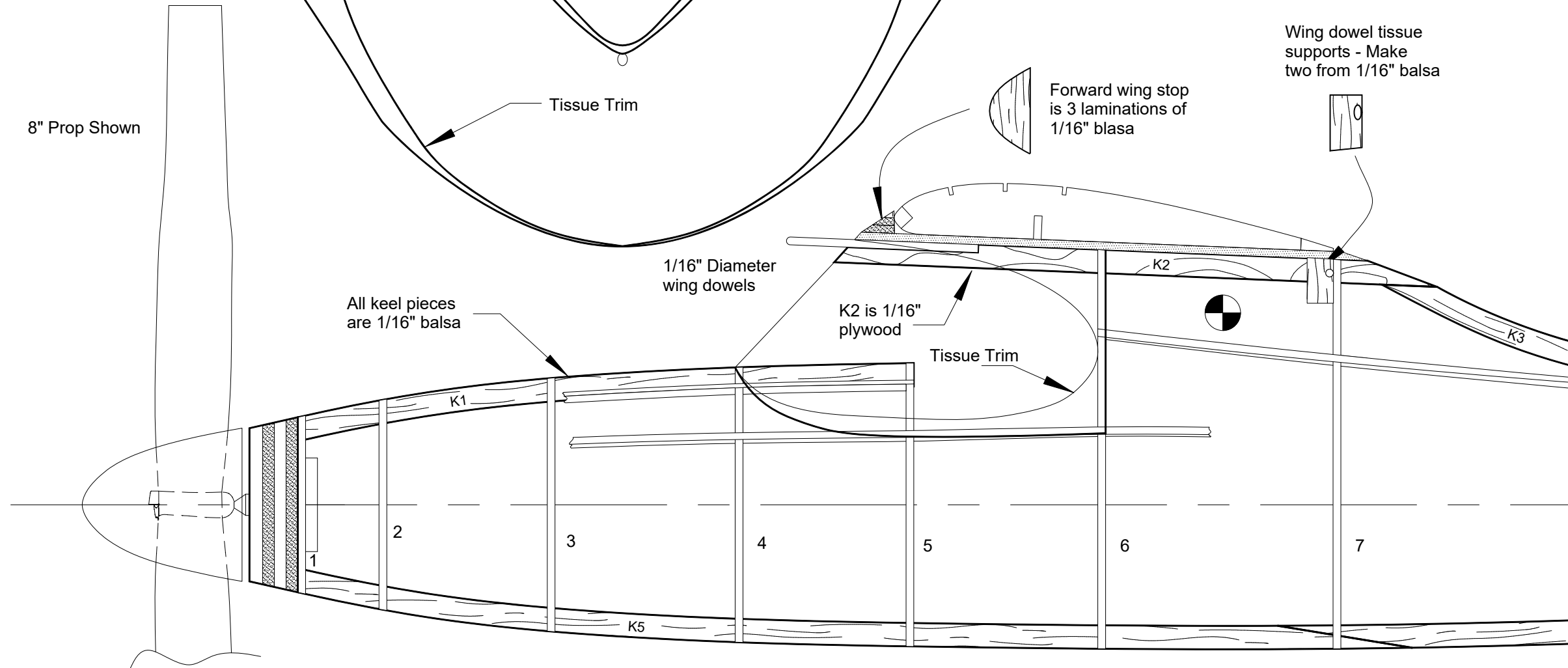
Sheet 1 of 6



8" Prop Shown

Forward wing stop is 3 laminations of 1/16" balsa

Wing dowel tissue supports - Make two from 1/16" balsa

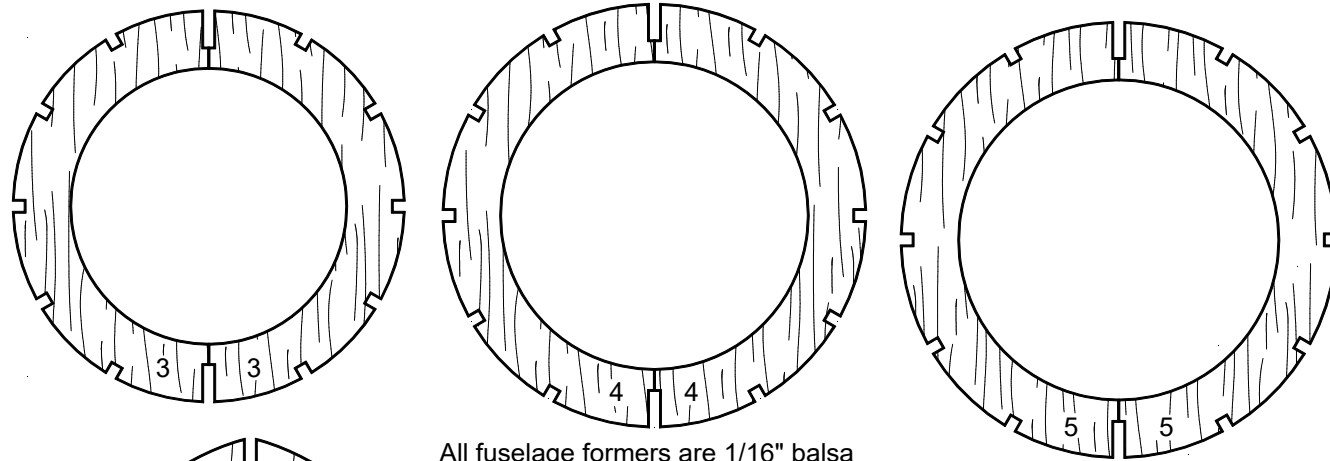


# Skipper - 24

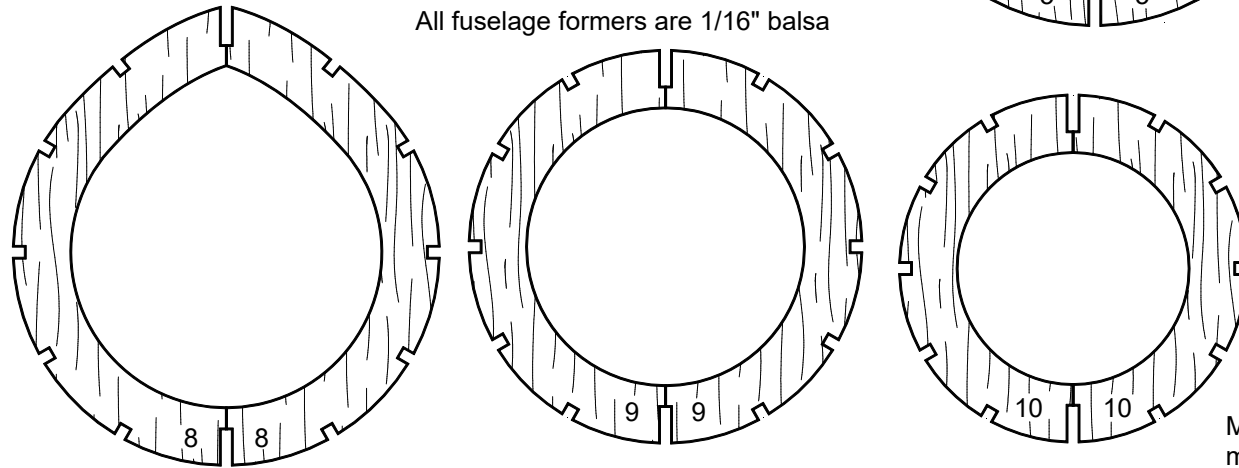
Wingspan - 24"

CAD Drawing by Paul Bradley

Sheet 2 of 6

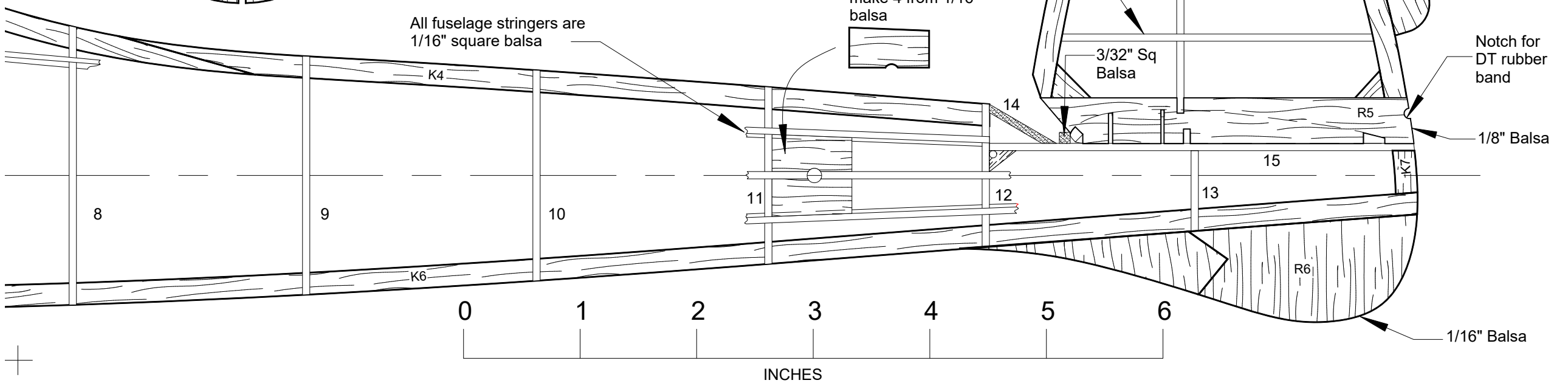


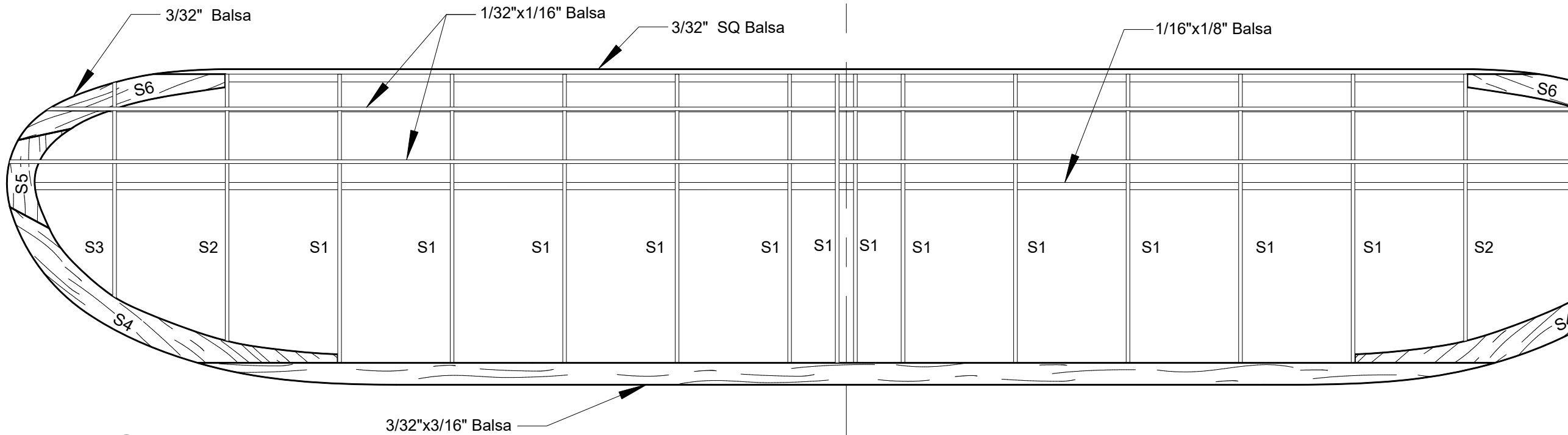
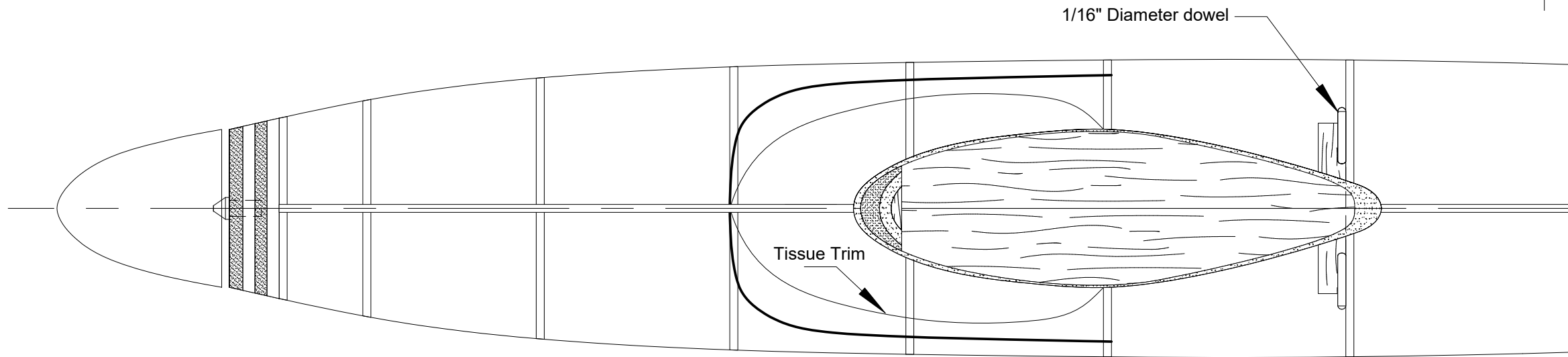
All fuselage formers are 1/16" balsa



All fuselage stringers are 1/16" square balsa

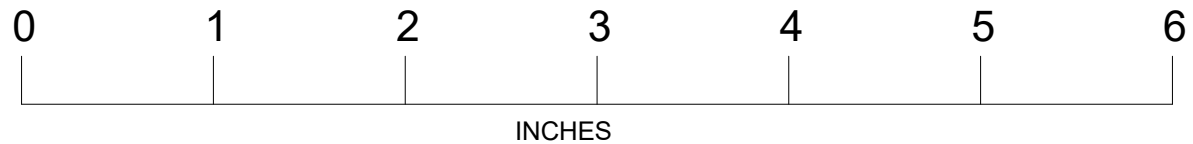
Motor peg supports  
make 4 from 1/16"  
balsa

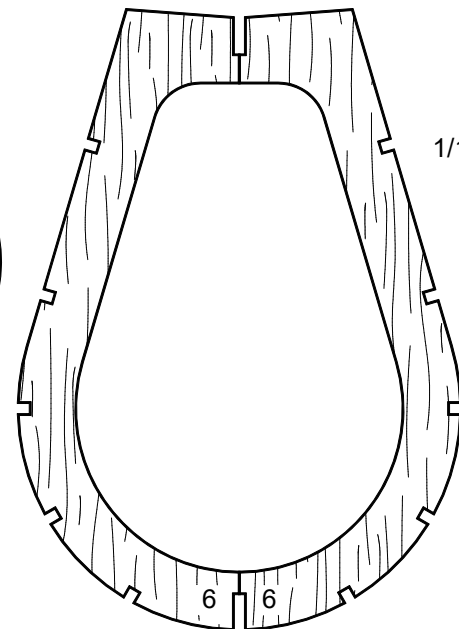
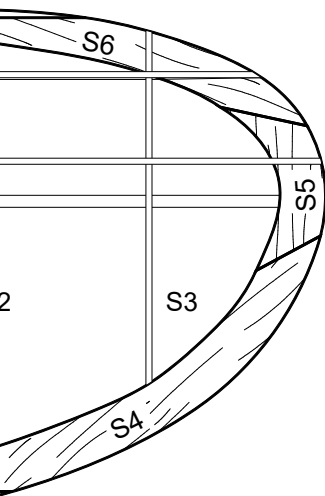
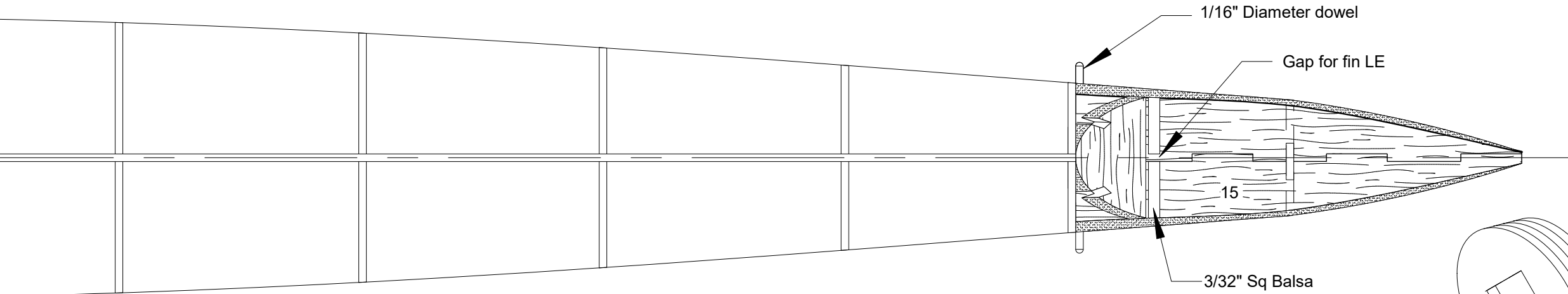




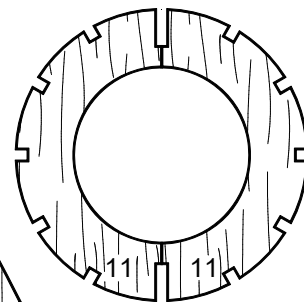
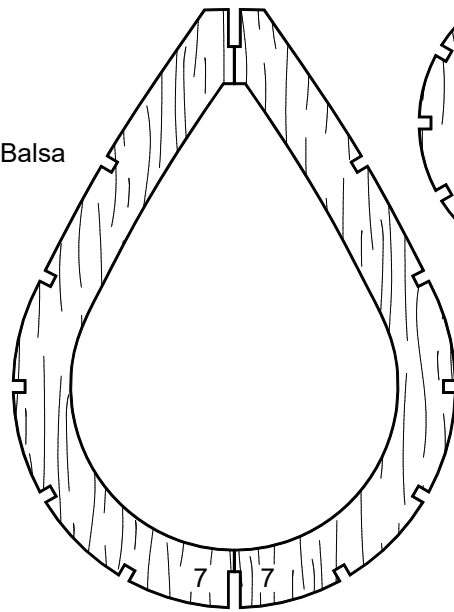
# Skipper - 24

Wingspan - 24"

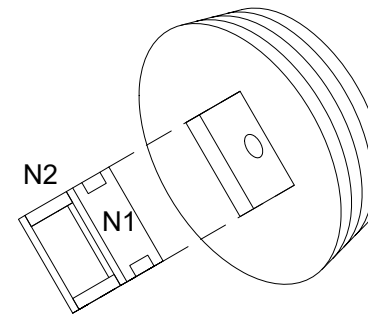
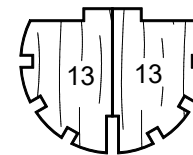
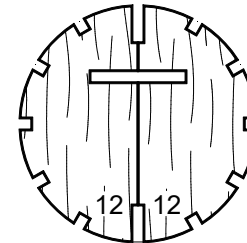




1/16" Balsa



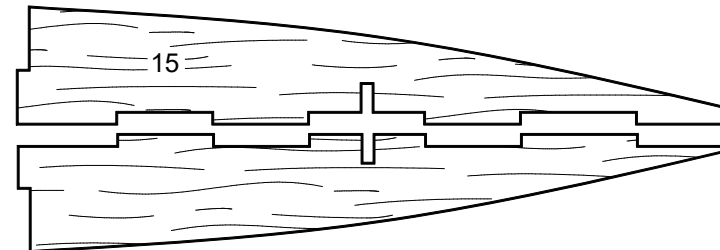
1/16" Balsa



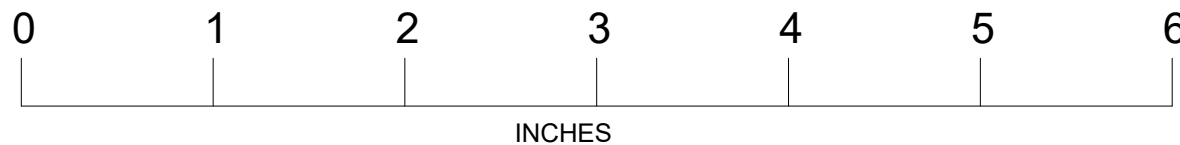
Nose block arrangement



1/32" Balsa



1/16" Balsa



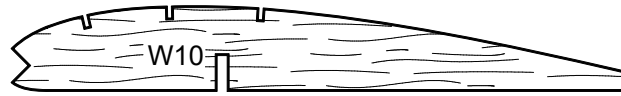
# Skipper - 24

Wingspan - 24"

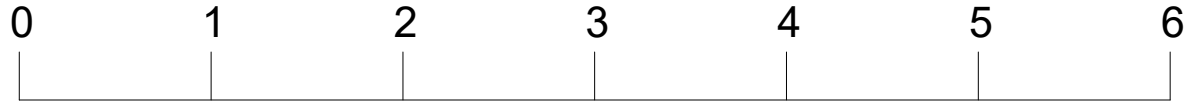




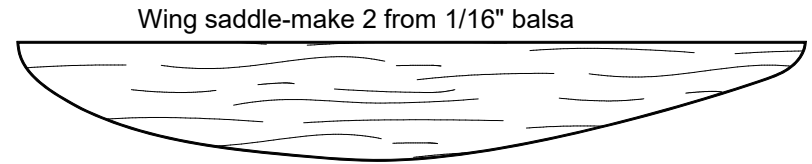
1/32" Balsa



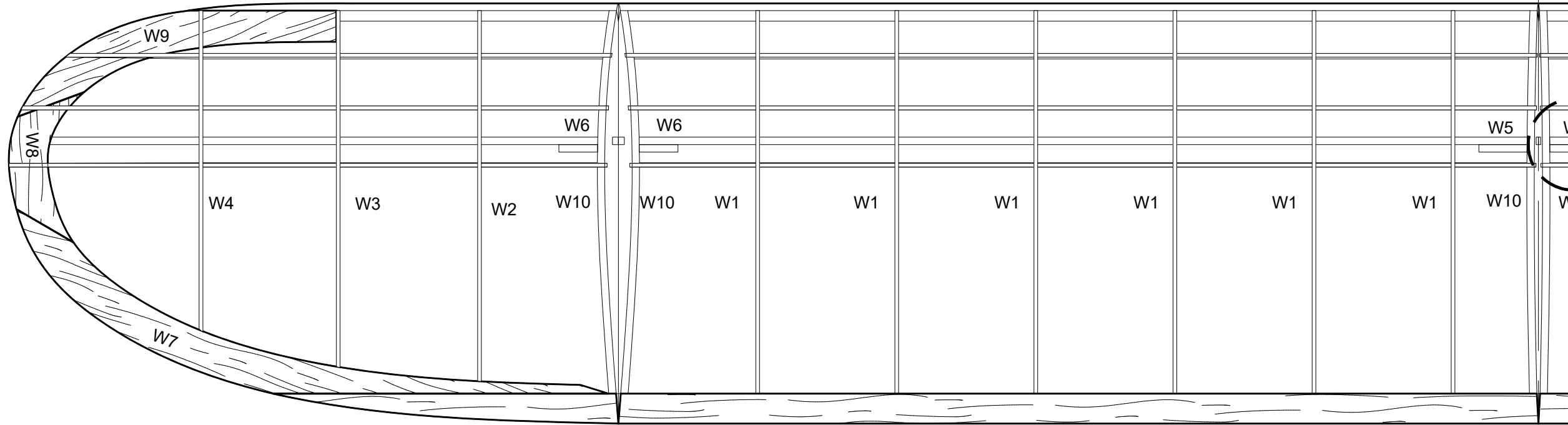
1/16" Balsa



INCHES

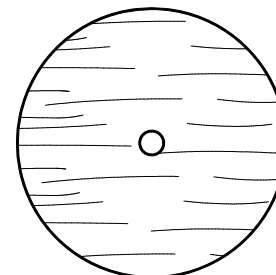
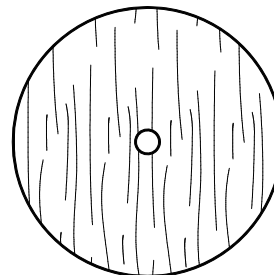
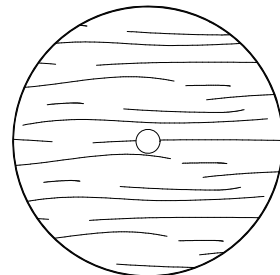
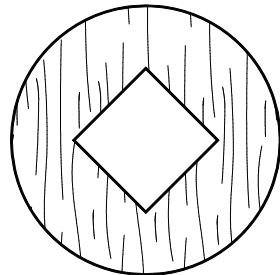


Wing saddle-make 2 from 1/16" balsa

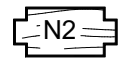
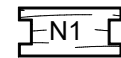


# Skipper - 24

Wingspan - 24"



Nose block disks  
3/32" balsa



Nose block key parts  
Make two each from  
1/16" balsa



View A-A



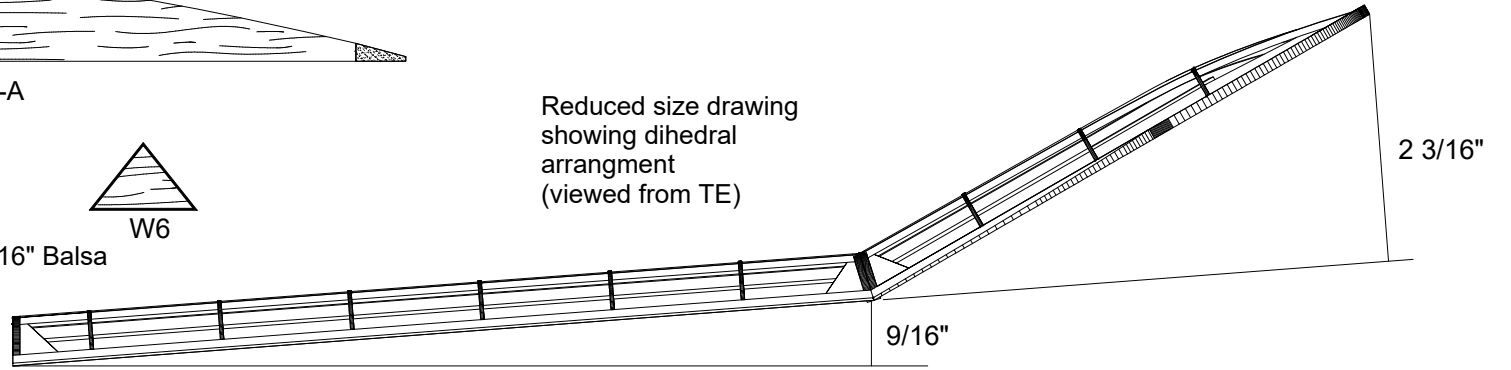
W5



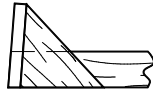
W6

1/16" Balsa

Reduced size drawing showing dihedral arrangement (viewed from TE)



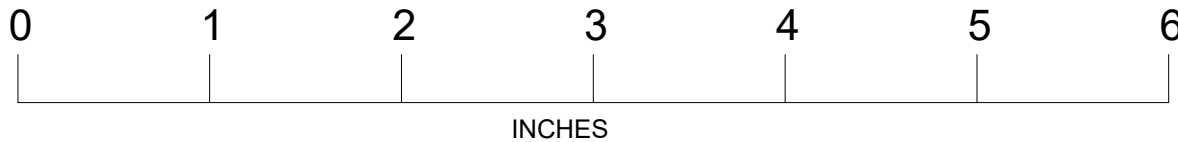
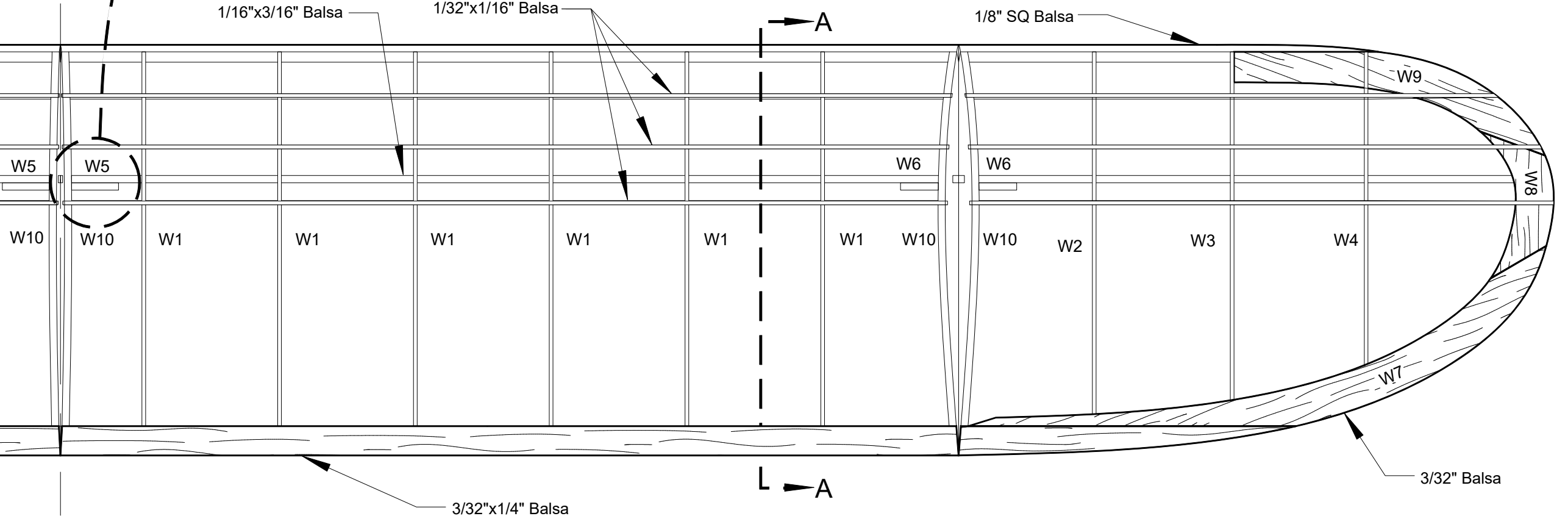
How W5 and W6 parts are used



1/16"x3/16" Balsa

1/32"x1/16" Balsa

1/8" SQ Balsa



# Skipper - 24

Wingspan - 24"

