



BlueKeeper

WIRELESS AUDIO GATEWAY



FEATURES

- Bluetooth Wireless Technology
- XLR input (mic / line switch)
- XLR Caller Output
- 3.5 mm stereo line input
- 3.5 mm stereo line output
- 3.5 mm mono mic level output
- Headphone jack, 3.5mm stereo, mixed send and caller.
- Send and Caller signal level LEDs

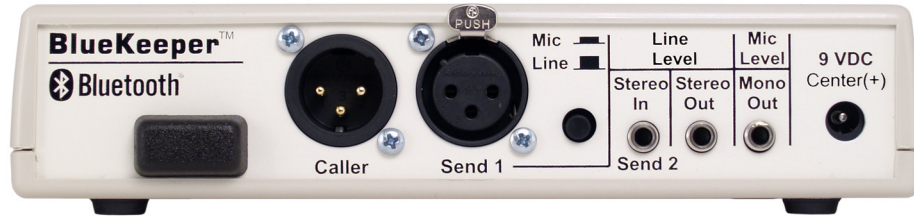
JK Audio combines Bluetooth Wireless Technology with professional audio electronics in a convenient desktop design. BlueKeeper allows you to send mic and line level signals into your wireless phone while maintaining excellent separation between your voice and the caller. The stereo output jack on the back of the unit provides your voice on one channel and only the caller's voice on the other channel. The balanced XLR output jack contains only the caller's voice.

BlueKeeper pairs to your cell phone like a Bluetooth wireless headset. This professional microphone preamplifier provides a dramatic improvement in sound quality. BlueKeeper also pairs to Bluetooth equipped sound cards and music players in full bandwidth stereo A2DP mode.

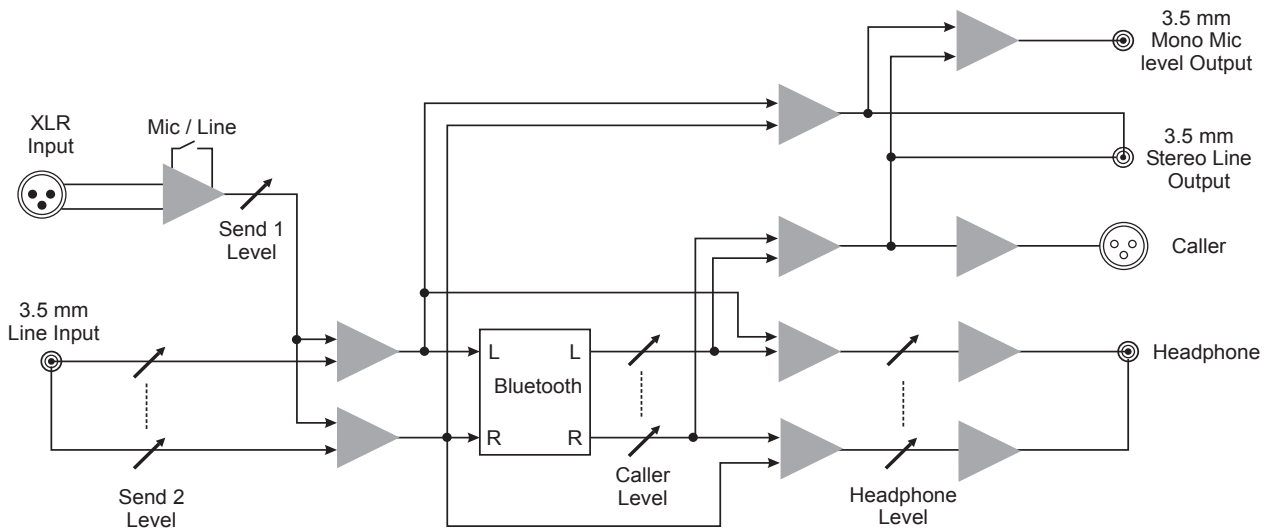
The 3.5 mm stereo line input jack allows recordings to be sent into the Bluetooth device. The 3.5 mm stereo line output jack provides your full bandwidth send mix on the left channel and Bluetooth caller audio on the right channel. The headphone output gives you a mix of the XLR input, 3.5 mm input, and Bluetooth audio. This same overall mix is also provided on a 3.5 mm mono mic level output jack. This output is perfect for connection to the mic input jack on voice recorders or notebook computers. Your voice will remain in full bandwidth high fidelity while the caller's voice, well... it sounds as good as it can over a mobile phone.

BlueKeeper

WIRELESS AUDIO GATEWAY



Rear View



Specifications

	Input		Output			
	Balanced Female XLR	1/8" (3.5mm) Stereo	Balanced Male XLR	Unbalanced 1/8"(3.5mm) Mono	Unbalanced 1/8" (3.5mm) Stereo	Headphone 1/8" (3.5mm) Stereo
Impedance:	1 k ohms	20k ohms	200 ohms	50 ohms	50 ohms	8 ohms
Level:	15 mV RMS (-34 dBu) nom Mic/Line pad switch = +6 dBu max	250 mV RMS (-10 dBu nom) +6dBu max	500 mV RMS (-4 dBu) nom +14 dBu max Caller Only	15mv RMS (-34dBu nom.) Mixed Send and Caller	250 mV RMS (-10dBu nom.) +6 dBu max Left = Send Right = Caller	½ watt Mixed Send and Caller

Bluetooth

Standard:	Bluetooth 2.0	Frequency Response:	Headset mode (phone): 300 Hz - 3400 Hz Headphone mode: 30Hz - 17 kHz
Distance:	25 feet (8 meters)		
Power:	120-240 VAC power supply	Size:	7" x 6" x 1.6" (18 x 15 x 4.2 cm)
Weight:	2.2 lbs. (1kg)		

The *Bluetooth* word mark and logos are owned by the *Bluetooth* SIG, Inc. and any use of such marks by JK Audio, Inc. is under license. Other trademarks and trade names are those of their respective owners.