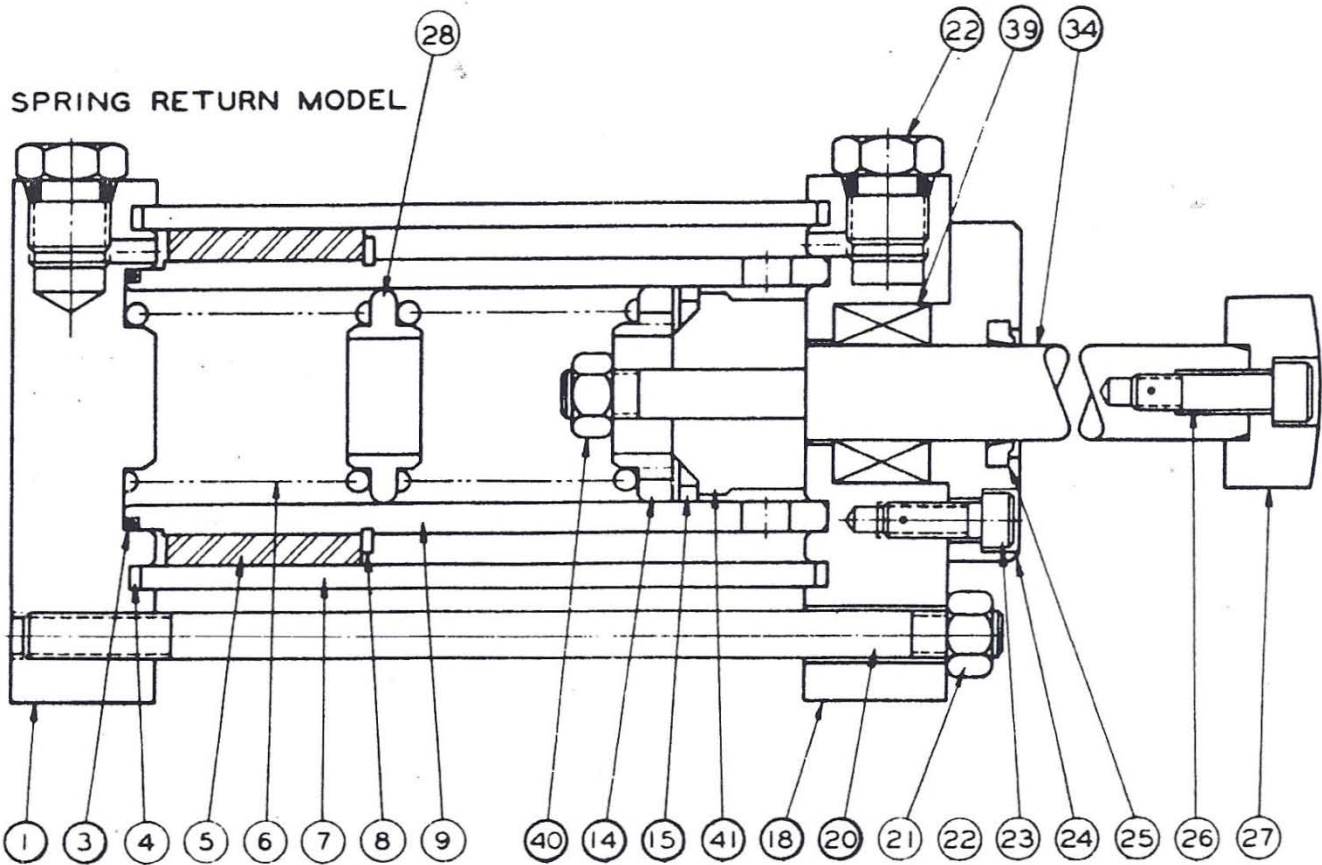


EGD MFG INC  
2320 Kishwaukee Street  
Rockford IL 61104

Parts List and Maintenance Instructions  
1-1/8 Inch Bore model "S"  
EGD MFG INC Shock Absorbers

www.egdmfg.com  
sales\_desk@egdmfg.com



No.	Part Name	Req.
1	BACK HEAD	1
3	"O" RING	1
4	HEAD SEAL	2
5	COMPRESSIBLE RESERVE	1
6	RETURN SPRING	*
7	RESERVOIR TUBE	1
8	RETAINER	1
9	METERING TUBE	1
14	PISTON	1
15	PISTON RING	1
18	FRONT HEAD	1
20	TIE ROD	4
21	TIE ROD NUT	4
22	PORT PLUG	2
23	RETAINER SCREWS	4

No.	Part Name	Req.
24	PACKING RETAINER	1
25	ROD SCRAPER	1
26	BUMPER SCREW	1
27	BUMPER	1
28	SPRING GUIDE	*
34	PISTON ROD	1
39	ROD PACKING	1
40	PISTON ROD NUT	1
41	FOLLOWER	1

\*Springs and Guides required for spring returned shock absorbers

Stroke	1"	2"	3"	4"
# of springs	1	2	3	4
# of guides	0	1	2	3

EGD MFG INC  
2320 Kishwaukee Street  
Rockford IL 61104

Parts List and Maintenance Instructions  
1-1/8 Inch Bore model "S"  
EGD MFG INC Shock Absorbers

www.egdmfg.com  
sales\_desk@egdmfg.com

**MOUNTING**

Mount the Shock Absorber securely making certain that the shock load will strike the piston rod bumper squarely at all positions throughout its full stroke. At least one of the port plugs must be uppermost to permit bleeding air from the unit.

Attach the make-up reservoir, if used, preferably in the uppermost part of the Shock Absorber to permit air bleeding and replacement of lost fluid.

If an external accumulator is used, connect it at an elevation higher than the Shock Absorber to permit air bleeding. Accumulator bleeder parts should be on top.

**FILLING**

Fill the Shock Absorber, and make-up reservoir or external accumulator if used, with the fluid specified on the nameplate. Fill the system slowly, loosening the bleeder parts to allow air to bleed out. It helps to move the Shock Absorber piston rod in and out by hand or jack during the air bleeding and filling process. If an external accumulator is used, it should be nearly full when the piston rod is fully depressed. On spring return Shock Absorbers, be sure the rod is fully extended when filling. (Spring return units are filled at the factory, but check the fluid level before operating.)

**INSPECTION AND TESTING**

Periodically inspect the E.G.D. Adjustable Shock Absorber system to make sure that:

- It is completely filled with fluid and has no air trapped inside (see filling instructions.)
- The piston rod fully returns to the "ready" position after each stroke.
- The piston rod moves and can rotate freely throughout its entire stroke.
- All mounting bolts are tight.

**OPERATION**

The Shock Absorber does work in bringing a load to stop. It converts this work into heat and dissipates this heat into the surroundings. A spring returns the piston rod to its starting position, ready for the next working stroke. It is extremely important that that piston rod return promptly, otherwise the Shock Absorber cannot do its job.

Each Shock Absorber is custom designed to do a specific job at a specific frequency of operation. Using the Shock Absorber for the purpose for which it was designed and maintaining it properly will give long and satisfactory service.

**PARTS REPLACEMENT**

Very few parts of the Shock Absorber are subject to wear. The rate of this normal wear depends on the frequency of use and the environment. A glance at the parts list will show how simple it is to replace the wearing parts. On spring return models, always block the rod end before loosening the rod gland.

This is necessary because the springs are preloaded at assembly. Use the parts list to identify the name of the part when ordering and state the model and serial number as it appears on the nameplate.

**REASSEMBLY**

When assembling standard Model "s" Shock Absorbers, apply torque as follows.

**TORQUE IN FOOT POUNDS**

Bore size	Tie rod nuts	Gland screws	Bumper cap screws	Piston nut and rod clevis	Port Plugs
1-1/8	10	5	8	10	8
2	38	10	17	38	18
4	110	38	60	150	45

Torques of 10 foot pounds and less should be applied with a torque wrench reading in inch-pounds to obtain more accurate results.

After installing the replacement parts, always inspect the system as described above before putting it back in service.

**TYPICAL SHOCK ABSORBER INSTALLATIONS**