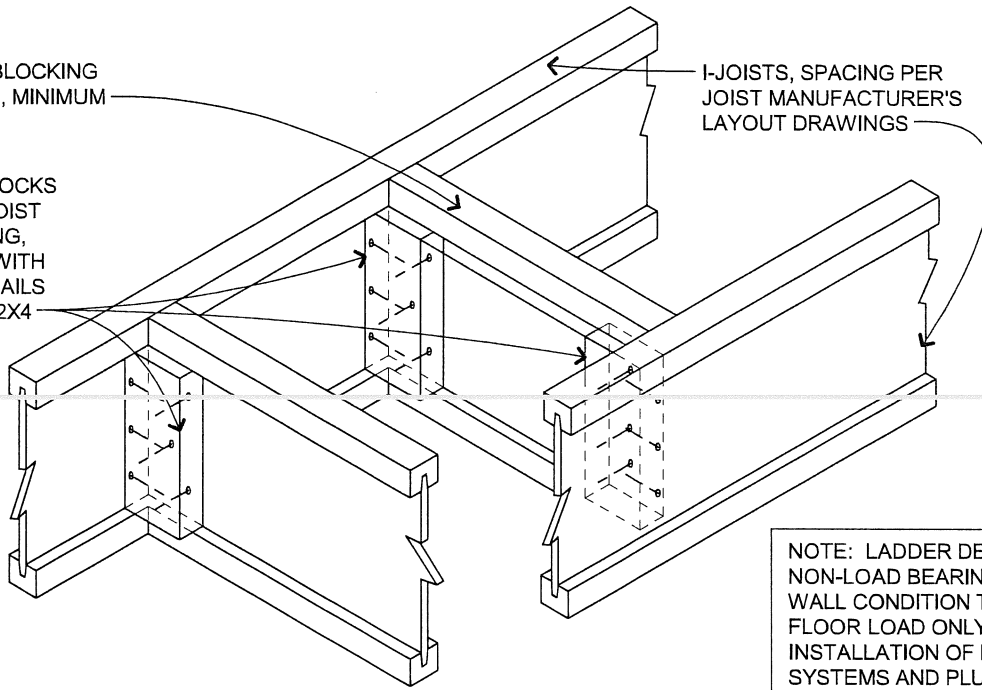


I-JOIST LADDER BLOCKING
16" O.C. SPACING, MINIMUM

2X4 VERTICAL BLOCKS
EACH END OF I-JOIST
LADDER BLOCKING,
NAIL EACH WAY WITH
(3) 8d COMMON NAILS
THRU WEB INTO 2X4

I-JOISTS, SPACING PER
JOIST MANUFACTURER'S
LAYOUT DRAWINGS



NOTE: LADDER DESIGN IS FOR
NON-LOAD BEARING INTERIOR
WALL CONDITION TO SUPPORT
FLOOR LOAD ONLY & FACILITATE
INSTALLATION OF MECHANICAL
SYSTEMS AND PLUMBING

04
A-501

I-JOIST LADDER DETAIL

NOT TO SCALE