

DH-HAC-HDW1200MN

2Megapixel 1080P Water-proof IR HDCVI Mini Dome Camera



Features

- 1/2.7" 2Megapixel CMOS
- 30fps@1080P
- High speed, long distance real-time transmission
- Day/Night(ICR), AWB, AGC, BLC, 2D-DNR
- 3.6mm fixed lens (6mm optional)
- Max. IR LEDs length 20m, Smart IR
- IP66, DC12V

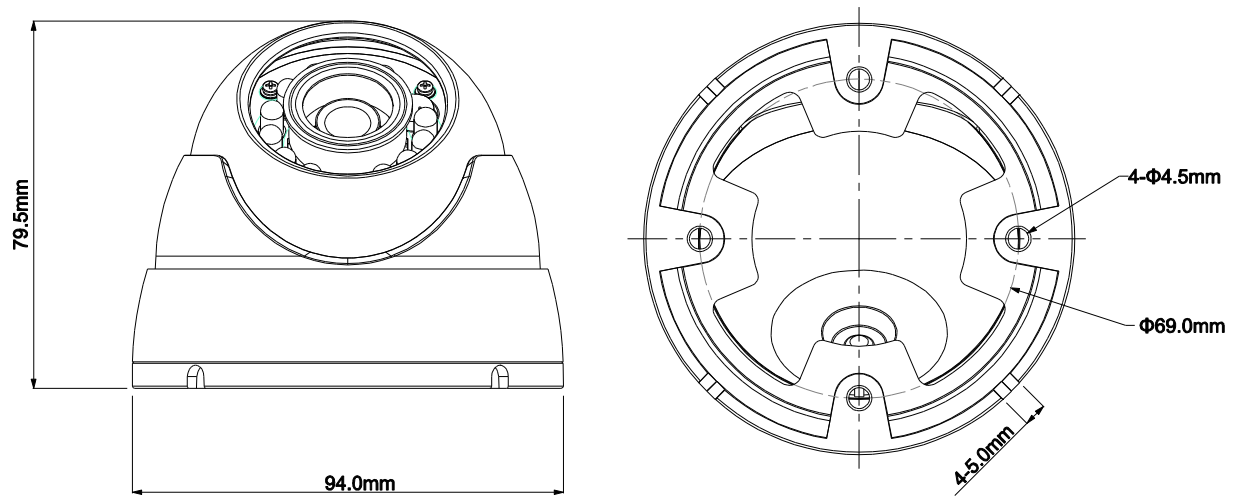
DH-HAC-HDW1200MN

Technical Specifications




Model	DH-HAC-HDW1200MN
Camera	
Image Sensor	1/2.7" 2Megapixel CMOS
Effective Pixels	1930(H)×1088(V)
Electronic Shutter	1/60s~1/100,000s
Video Frame Rate	30fps@1080P
Synchronization	Internal
Min. Illumination	0.01Lux@F1.2(AGC ON), 0Lux IR on
Video Output	1-channel BNC HDCVI high definition video output
Camera Features	
Max. IR LEDs Length	20m, Smart IR
Day/Night	Auto(ICR) / Color / B/W
Noise Reduction	2D
Lens	
Focal Length	3.6mm (6mm optional)
Angle of View	H: 80.6° (57.55°)
Mount Type	M12
General	
Power Supply	DC12V±20%
Power Consumption	Max 2.5W
Working Environment	-30°C~+60°C / Less than 95%RH (no condensation)
Transmission Distance	Over 300m via 75-3 coaxial cable
Ingress Protection	IP66
Dimensions	Φ94.0mm×79.5mm
Weight	0.35kg
Material	Metal

DH-HAC-HDW1200MN

Dimensions (mm)



Accessories (optional)

		
PFA121	PFA151	PFA152

Dahua Technology USA Inc.

23 Hubble, Irvine Spectrum, CA92618, USA

Tel: +001-949 679 7777

Fax: +001-949 679 5760

Email: support.usa@dahuatech.com

www.dahuatech.us

*Design and specifications are subject to change without notice.

© 2013 Dahua Technology