

AMG-2000

Series



Entry Station
with optional Barcode
Matrix Scanner

FlexScan™ QR400



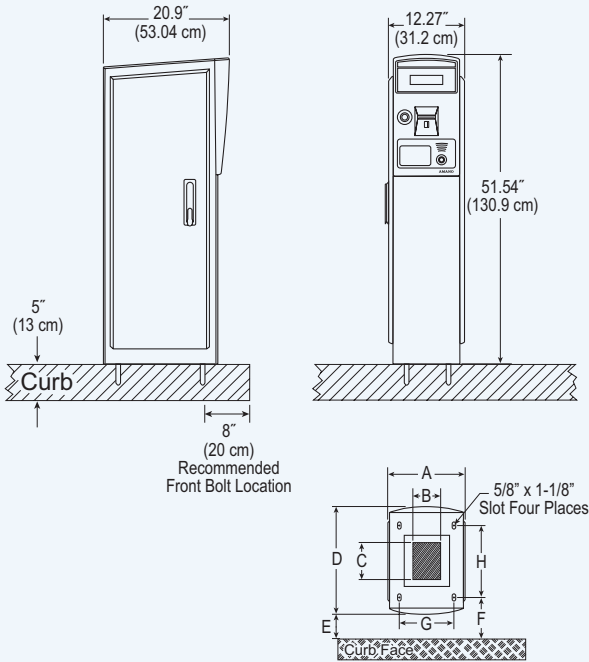
The AMG-2000 Series Entry Station is designed for multiple uses, typically at the unattended entrances of a parking facility. The entry station dispenses magstripe tickets, accepts access and credit cards for ticket in/card out and card in/card out functionality.

The integrated FlexScan™ QR400 extends the functionality of the standard entry station adding the capability to scan linear and QR barcodes. Credentials can be scanned from various printed and electronic media formats including paper, event tickets, ID badges and smartphones.

Utilize the iConnect® Interface tool for custom integration with your IT operation. Control the process all the way to the lane.



Series
AMG-2000



CONFINE RIGID CONDUIT NO MORE THAN 2" (5 cm) HIGH IN THIS AREA.

A = 12.27" (31.2 cm) C = 8" (20.32 cm) *E = 5" (13 cm) G = 7.48" (19 cm)
 B = 4" (10.16 cm) D = 20.9" (53.04 cm) *F = 8" (20 cm) H = 11.75" (29.8 cm)

*Recommendation only. Installation requirements may vary.

FEATURES

- ▶ **Standalone (AMG-2070 series) or on-line (AMG-2570 series)**
- ▶ **Uses common hardware components (RWPV-based) for fewer inventoried parts and reduced service training**
- ▶ **Field programmable operation utilizing handheld wireless remote control**
- ▶ **Accommodates credit card size magstripe media**
- ▶ **Magstripe access card / credit card acceptance (AMG-2570 series) models optional**
- ▶ **Proximity Technology Reader Integration optional**
- ▶ **Barcode matrix scanner (FlexScan QR400) optional**
- ▶ **Custom IT integration available utilizing iConnect**
- ▶ **Integrated intercom**
- ▶ **Personalized panel option, std. panel – no text**
- ▶ **Dual powder coat finish**

REPRESENTED BY:

SPECIFICATIONS

COMPLIANCE

PCI PA-DSS (Payment Application Data Security Standard) Compliant

AMG-2570 Series lane equipment does not store credit card data
 Meets ADA (Americans with Disabilities Act) and
 ANSI (American National Standards Institute) requirements

ELECTRICAL

120V AC, 60 Hz
 220/240V AC, 50/60 Hz
 10 amp max. (120V) 5 amp max. (240V)
 Multiple I/O capability for ticket tracking, counts and monitoring

MECHANICAL

Automatic dual ticket feed; dot matrix printer; cartridge ribbon; exclusive RWPV™ (read, write, print and vault) magstripe mechanism

TIME CONTROL

Real-time clock synchronization with host computer
 Built-in crystal controlled perpetual calendar
 Programmable Daylight Saving Time adjustment

ENVIRONMENT

Temperature: -20°F ~ 120°F (-29°C ~ 49°C)
 Automatic thermostat-controlled heater included
Humidity: 10% ~ 90% (non-condensing)

HOUSING

Heavy-duty, 14 gauge steel construction, weather gasketing, lockable door.
Dimensions: 51.54"H x 12.27"W x 20.9"D (130.9 cm x 31.2 cm x 53.04 cm)
Ticket throat: 41" (104 cm)
Weight: 135 lbs. (61 kg)
Finish (Standard): Argento Silver (#305) cabinet / Classic Grey (#314) side panels; White (RAL#9003); custom color available

BARCODE MATRIX SCANNER

Opening: 4"W x 3"H (10.16 cm x 7.62 cm)
Barcode Types: 1D (Linear) & 2D (QR)
Ambient Light: Total darkness to 9000 ft. candles (96.900 LUX)

PRINTER

Large (7 x 9 dot pattern) dot matrix printer
 Prints date and time (12 & 24-hour format), ticket number, machine number and rate
 Marks and voids retracted tickets
 Self sharpening cutter blade

TICKETS

Uses fanfold tickets: 5,000 tickets/carton. Holds two cartons.
 Credit card size tickets: 2-1/8" x 3-3/8" (5.41 cm x 8.59 cm)

OPTIONS

2nd I/O Rack (passcard readers lockout)
 Magstripe and proximity access card models optional

INTERCOM

Aiphone™ LEF series intercom system
 Standard user recordable voice announcement

Manufactured by Amano Cincinnati, Inc.'s Ohio factory, an ISO 9001:2000 registered facility. Specifications are approximate and are subject to change without notice. UL approval does not apply to 220/240V AC, 50/60 Hz



AMANO McGANN®

Corporate Headquarters 651 Taft Street NE, Minneapolis, MN 55413
 Tel: (612) 331-2020 www.amanomcgann.com