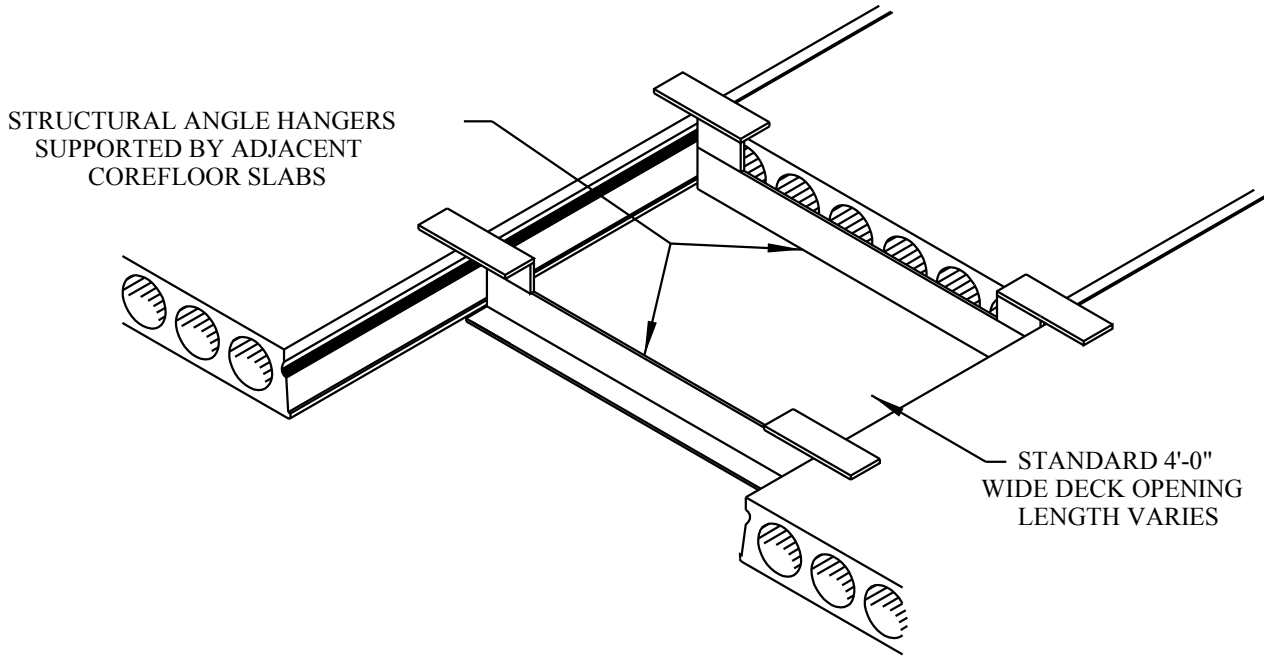


STRUCTURAL HANGER DETAIL



6" HANGER	
I.D.	DESCRIPTION
①	PLATE: 12"x 6"x ½"
②	PLATE: 6"x 2½" x ½"
③	ANGLE: 4"x 3"x ⅜" x 3'-11"

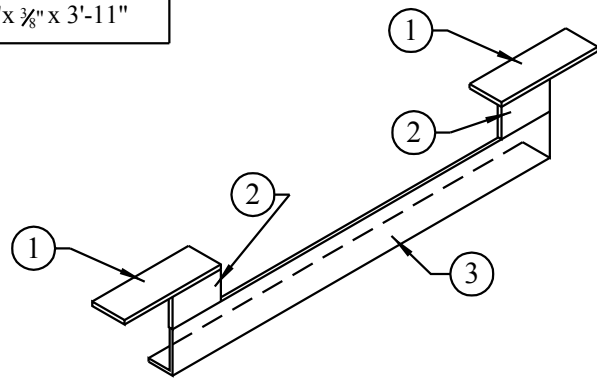
10" HANGER	
I.D.	DESCRIPTION
①	PLATE: 12"x 6"x ⅝"
②	PLATE: 6"x 4⅝" x ½"
③	ANGLE: 6"x 4"x ½" x 3'-11"

11" HANGER	
I.D.	DESCRIPTION
①	PLATE: 12"x 6"x ⅝"
②	PLATE: 6"x 5⅝" x ½"
③	ANGLE: 6"x 4"x ½" x 3'-11"

8" HANGER	
I.D.	DESCRIPTION
①	PLATE: 12"x 6"x ½"
②	PLATE: 6"x 3½" x ½"
③	ANGLE: 5"x 3"x ⅜" x 3'-11"

WELDS: FULL DEPTH PENETRATION
FINISH: PRIMER

12" HANGER	
I.D.	DESCRIPTION
①	PLATE: 12"x 6"x ⅝"
②	PLATE: 6"x 6⅝" x ½"
③	ANGLE: 6"x 4"x ½" x 3'-11"



- SPECIAL DESIGN REQUIRED FOR:
- 1.) UNUSUAL LOADS
 - 2.) SUPPORTED SPANS IN EXCESS OF 20'-0" FOR 6" & 8" HANGERS
 - 3.) SUPPORTED SPANS IN EXCESS OF 25'-0" FOR 10", 11" & 12" HANGERS

STANDARD HANGER MATERIALS LIST