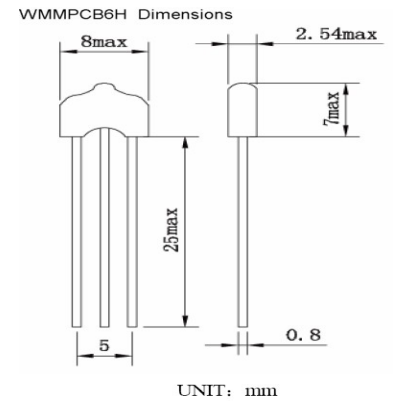
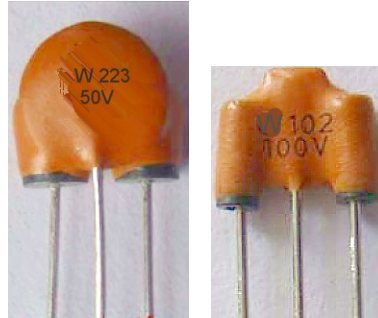
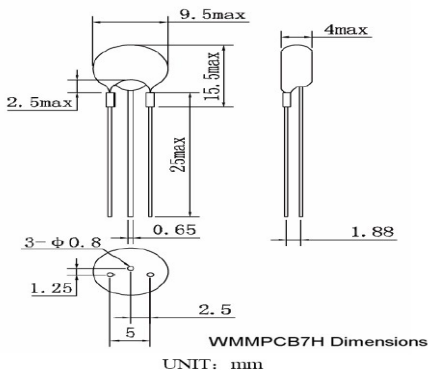
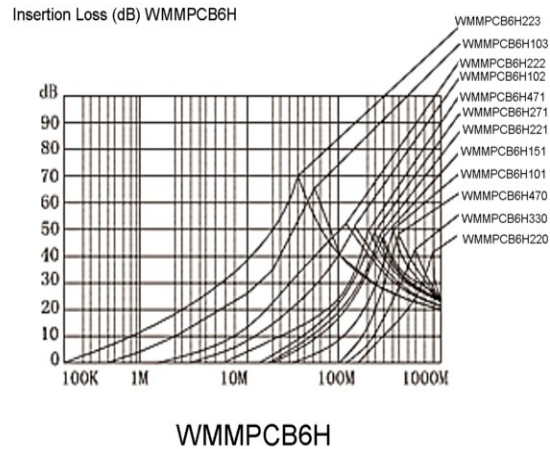
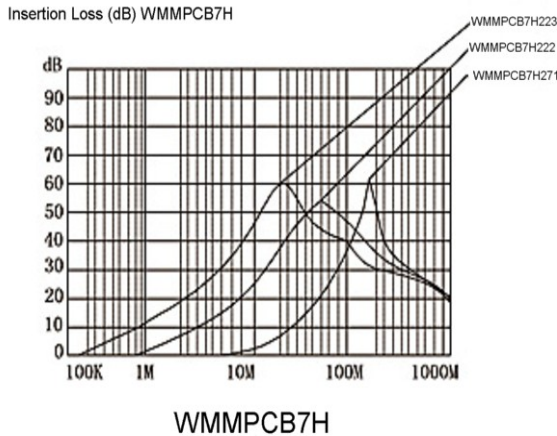
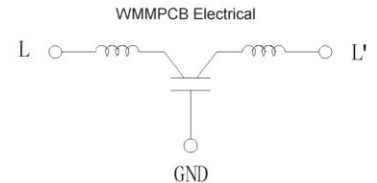




Micro Miniature PCB 3 Terminal Series DC Filter WMMPCB Series



Wilco Part Number	Capacity (PF)	Rated Voltage	Temperature Characteristics
WMMPCB6H220-LF	22 PF +/- 20%	100 Vdc	+/- 10%
WMMPCB6H470-LF	47 PF +/- 20%	100 Vdc	+/- 10%
WMMPCB6H101-LF	100 PF +/- 20%	100 Vdc	+/- 10%
WMMPCB6H221-LF	220 PF +/- 20%	100 Vdc	+/- 10%
WMMPCB6H471-LF	470 PF +/- 20%	100 Vdc	+/- 10%
WMMPCB6H102-LF	1000 PF +/- 20%	100 Vdc	+/-10 %
WMMPCB6H222-LF	2200 PF + 80% - 20%	100 Vdc	+20% -55%
WMMPCB6H103-LF	1000 PF +/- 30%	100 Vdc	+30% -85%
WMMPCB6H223-LF	22000 PF +80% -20%	16 Vdc	+30% -80%
WMMPCB7H223-LF	22000 PF +80% -20%	50 Vdc	+/- 10%
WMMPCB7H222-LF	2200 PF +/- 20%	250 Vdc	+/- 10%
WMMPCB7H271-LF	270 PF +/-20%	250 Vdc	+/- 10%



Micro miniature LCR DC filters with 3 out put terminals
Effectively suppress the interference at wide band ranging from 100Khz to 1Ghz
Maximum operating current 6 Amps
Suitable for all kinds of digital circuits and chip controlling
RoHs Compliant

Wilco Corporation 5352 West 79th Street Indianapolis IN 46268
800-611-2343 Fax 317-228-9340 wilcosales@wilco.com
www.wilco.com