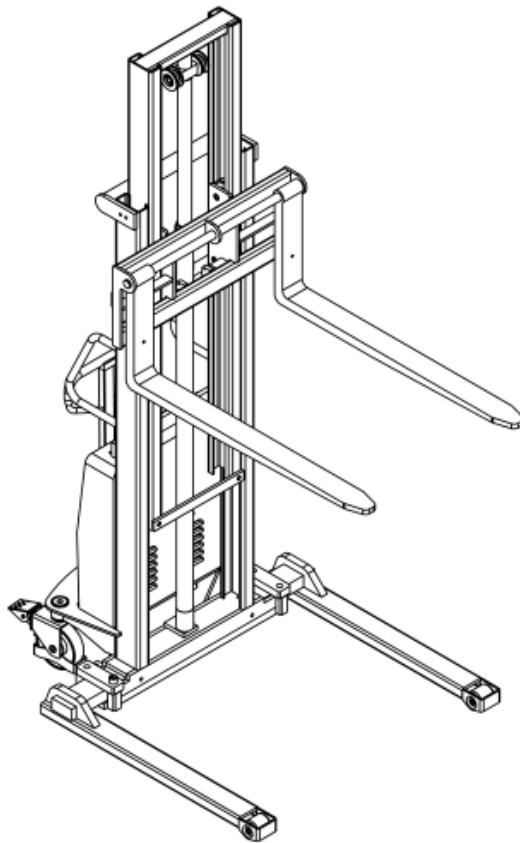
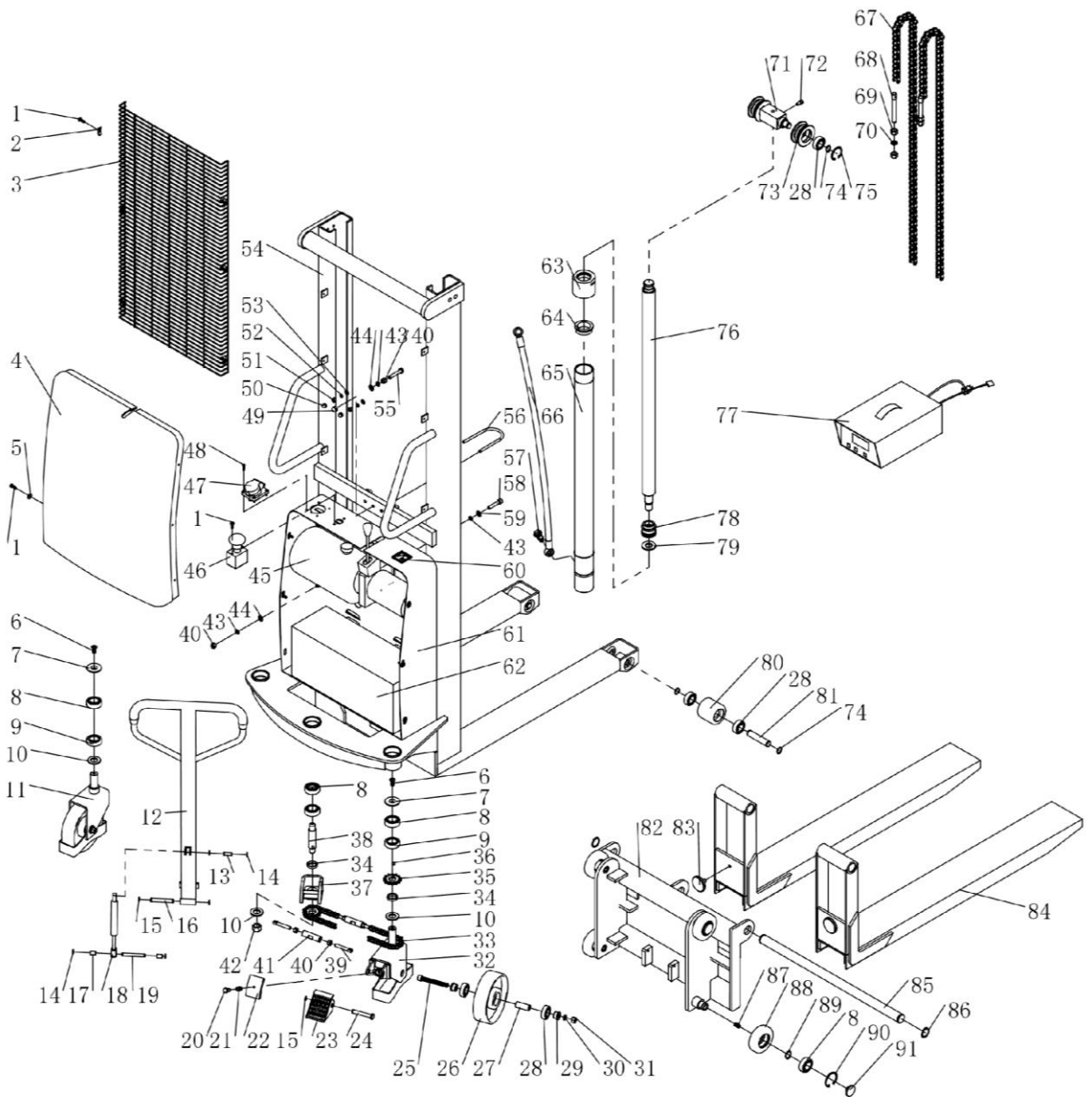


PART LIST

EA15(A/B) Series Semi-Electric Stacker





No.	Code	Name	Specification	Quantity
1	GB/T 818-2000	Cross recess pan head screw	M0.23×0.8	14
2	EA10.0-6	Guard clamp		6
3	EA1016.0-4	Protective cover		1
4	EA10.9-2	Electrical cover		1
5	GB/T 96.2-2002	Large (big) plain washer	Φ0.23	6
6	GB 2674-86	Socket button head screws	M0.39×1	2
7	EA10.4-3	Cover		2
8	GB/T 276-94	Deep groove ball bearing	6205	8
9	GB/T 297-94	Tapered roller bearing	30205	2
10	GB/T 97.1-2002	Plain washer	Φ0.94	3
11	EA10.6.1	Wheel frame welded parts of driven pulley		1
12	EA10.4.1	Steering handle		1
13	EA10.4-1	Pin roll		1
14	GB 894.1-86	External circlip	Φ0.39	4
15	GB 894.1-86	External circlip	Φ0.5	3
16	EA10.4-2	Connecting shaft		1
17	EA10.4-6	Spacer bush		2
18	EA10.4-7	Gas spring		1
19	EA10.4-4	Gas spring shaft		1
20	EA10.5-7	The push rod screw		1
21	GB_T 2084-94	Cylindroid helical-coil compression spring		1
22	EA10.5-4	Skate brake		1
23	EA10.5-8	CAM pedal		1
24	EA10.5-3	Pin roll		1
25	GB/T 70.1-2000	Hexagon socket cap screws	M0.5×3.93	2
26	EA10.5.2	Nylon wheel		2
27	EA10.5-1	Bushing		2
28	GB/T 276-94	Deep groove ball bearing	6204	10
29	EA10.5-2	Axle sleeve		4
30	GB/T 93-1987	Spring washer	Φ0.5	2
31	GB/T 6170-2000	Hex nut	M0.5	2
32	EA10.5.1	The brake wheel frame welded pieces		1
33	ISO08A	Chain		2
34	EA10.5-5	Shaft filler washer		2
35	EA10.4-8	Steering chain		2
36	GB/T 1096-2003	General flat key	0.23×0.3	1
37	EA10.4.2B	The handle base		1
38	EA10.4-5	Steering shaft.		1
39	EA10.4.3-1,4	Draw-in bolt		4
40	GB/T 41-2000	Hex nut	M0.39	9
41	EA10.4.3-2	Strainer		2
42	GB/T 6176-2000	Hex nut	M0.7×0.06	1
43	GB/T 93-1987	Spring washer	Φ0.39	7
44	GB/T 95-2002	Flat washer	Φ0.39	5

45	CMB1-VB1303060-120	pump station		1
46	TY-01.36	Emergency Stop Switch		1
47	TY-01.42	EA charging plug		1
48	GB/T 818-2000	cross recess pan head screw	M0.16×0.8	4
49	GB 923-88	acorn nut	M0.39	1
50	GB 923-88	acorn nut	M0.3	2
51	GB/T 41-2000	Hex nut	M0.3	2
52	GB/T 93-1987	Spring washer	Φ 0.3	2
53	GB/T 95-2002	Flat washer	Φ 0.3	2
54	EA10.16.1	The door frame component		1
55	GB/T 5781-2000	Hex bolt thread	M0.39×2.16	1
56	EA10.0-2	Oil cylinder hoop		1
57	EA10.8-6	Fuel pipe union		1
58	GB/T 70.1-2000	Hexagon socket cap screws	M0.39×1	2
59	GB/T 97.1-2002	Flat washer	Φ 0.39	2
60	TY-01.43	Coulombmeter		1
61	EA10.9.1	Distribution box		1
62	12V120Ah	Battery		1
63	EA10.8-2T	Block cover		1
64	EA10.8-3	Bushing		1
65	EA10.8-4	Oil cylinder		1
66	GB/T3683-92	High-pressure oil pipe		1
67	ISO12A	Chain		2
68	EA10.0-1	Chain pull rod		2
69	GB/T 6170-2000	Hex nut	M0.55	4
70	GB/T 93-1987	Spring washer	Φ 0.55	2
71	EA10.2.2-3	Footstock		1
72	GB/T 70.1-2000	Hexagon socket cap screws	M0.3×0.63	1
73	EA10.2-5(G)	Chain wheel		2
74	GB 894.1-86	Circlip for shaft	Φ 0.8	6
75	GB 893.1-86	Circlip for hole	Φ 1.85	2
76	EA10.8-1	Piston rod		1
77	12V20A	Charger		1
78	EA10.8-5	Piston rod		1
79	EA10.8-9	Detent ring		1
80	EA10.0-1	Front wheel		2
81	EA10.0-3	Small shaft		2
82	EA10.3.1	Fork frame welded		1
83	EA10.3.2-2	Adjust baffle plate		2
84	EA10.3.2	Fork		2
85	EA10.3-2	Major axis		1
86	GB 894.2-86	Circlip for shaft	Φ 1.26	2
87	GB/T 77-2000	Hexagon socket set screw with flat point	M0.5×0.8	4
88	EA10.3-1	Pallet rack roller		4
89	GB 894.2-86	Circlip for shaft	Φ 1	4
90	GB 893.2-86	Circlip for hole	Φ 2	4
91	EA10.3-3	Lateral pressure pad		4

