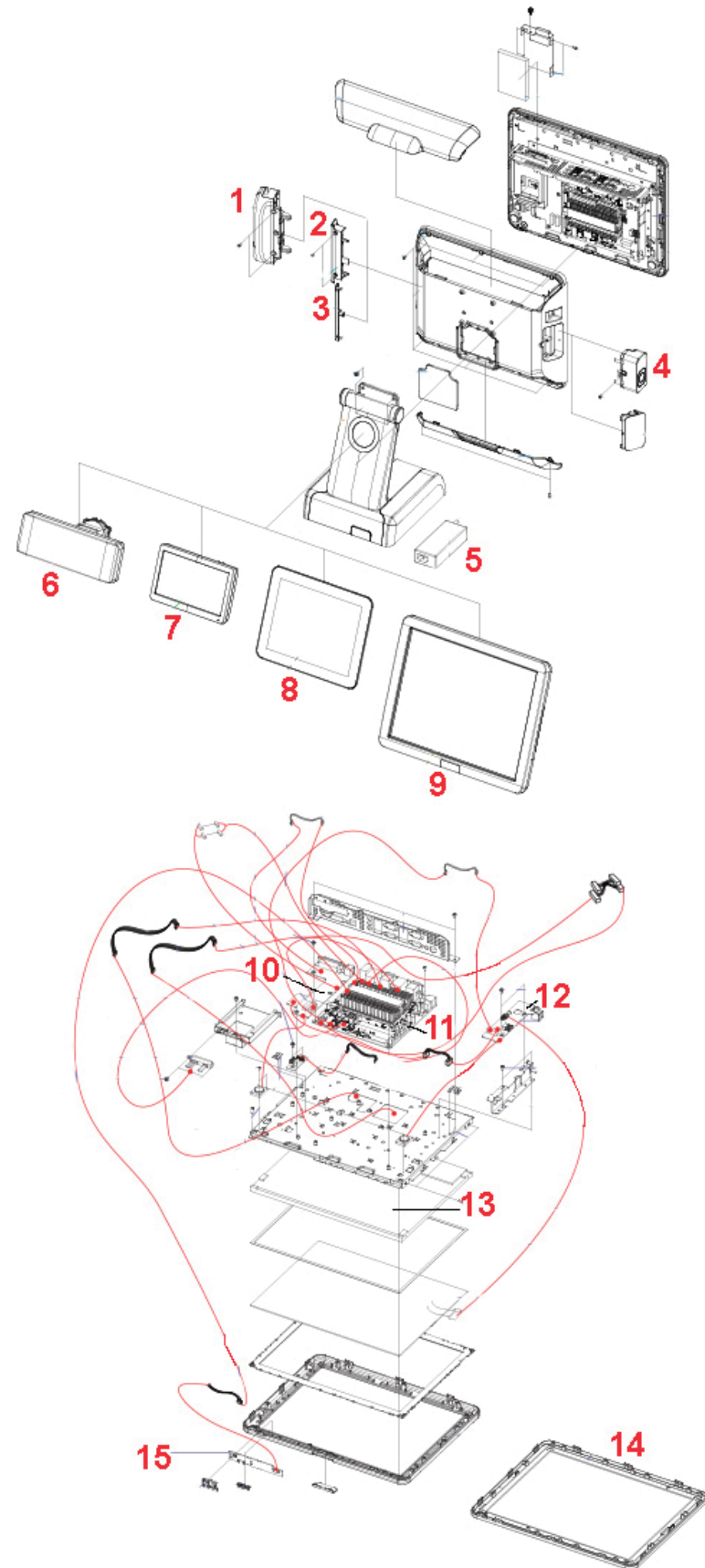


TITAN-150 Touch Terminal Replacement Parts



Ref. No.	CRS Item No.	SAM4s Ref. No.	SAM4s Parts Code	Description
1	503163	D	QMR-T480NW	MCR SPT Black
2	503133	E	QMR-T500NW	MCR TITAN Thin Silver
3	503134	A10	JK72-20903A	Cover, MCR Black
4	503136	F		Kti, Fingerprint Reader
5	503112	C3	JK95-70581A	Power Supply 60W
5	503082	C3		Power Supply 75W
6	503132	G	QCD-S50V202W	Rear VFD TITAN
7	503131	H	QCD-S50L7NWB	Rear 7" LCD TITAN
8	503130	I	SCD-100/D50NNWN	Rear 9.7" LCD TITAN
9	503129	J	QCD-S50L15NWB	Rear 15" LCD TITAN
10	503178	B24	JK92-10145E	Board, Parallel Drawer TITAN
11	503179	B20	JK95-70608A	Logic Board TITAN-150
12	503177	B17	JK92-10145D	Board, Touch AMT TITAN-150
13	503145	B10	JK95-70567A	LCD Panel AUO TITAN
14	503090	B1	JK95-70559B	Touch Panel