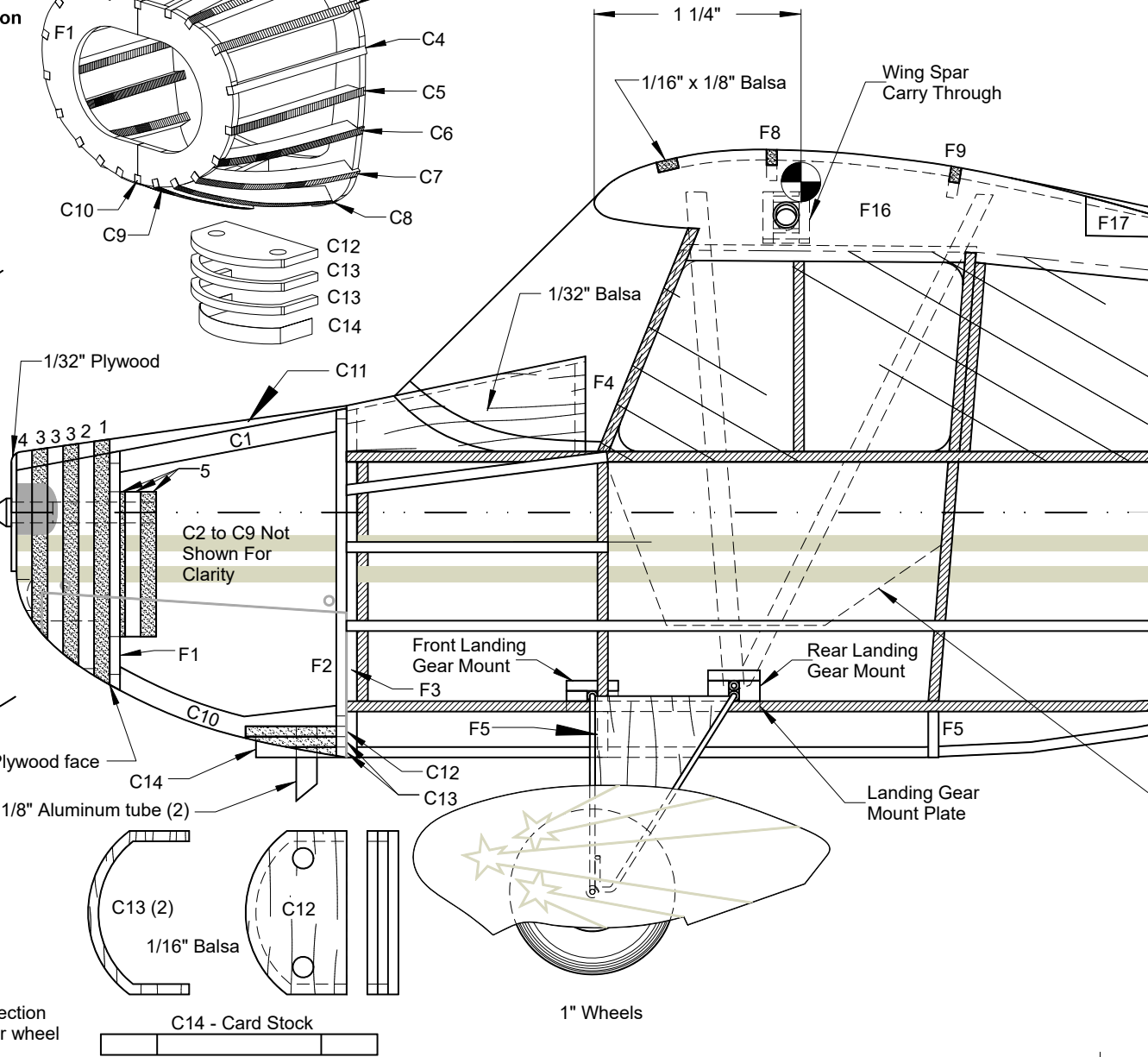
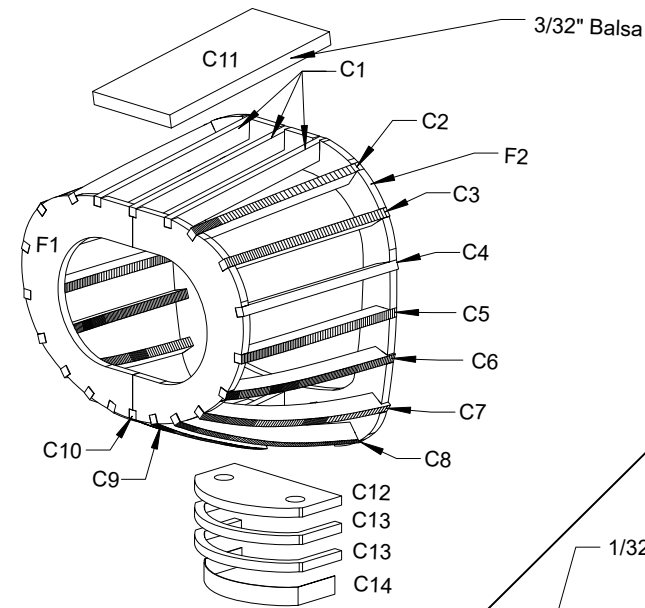
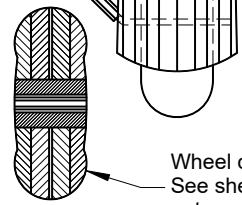


Cowl Construction

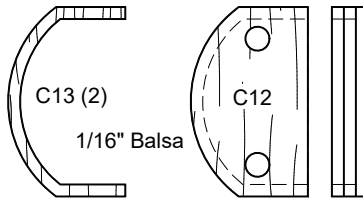


- 3/16" Diameter Disk made from .003" clear plastic
- 3/16" Diameter disk made from 1/32" balsa covered with aluminum foil

Landing Light

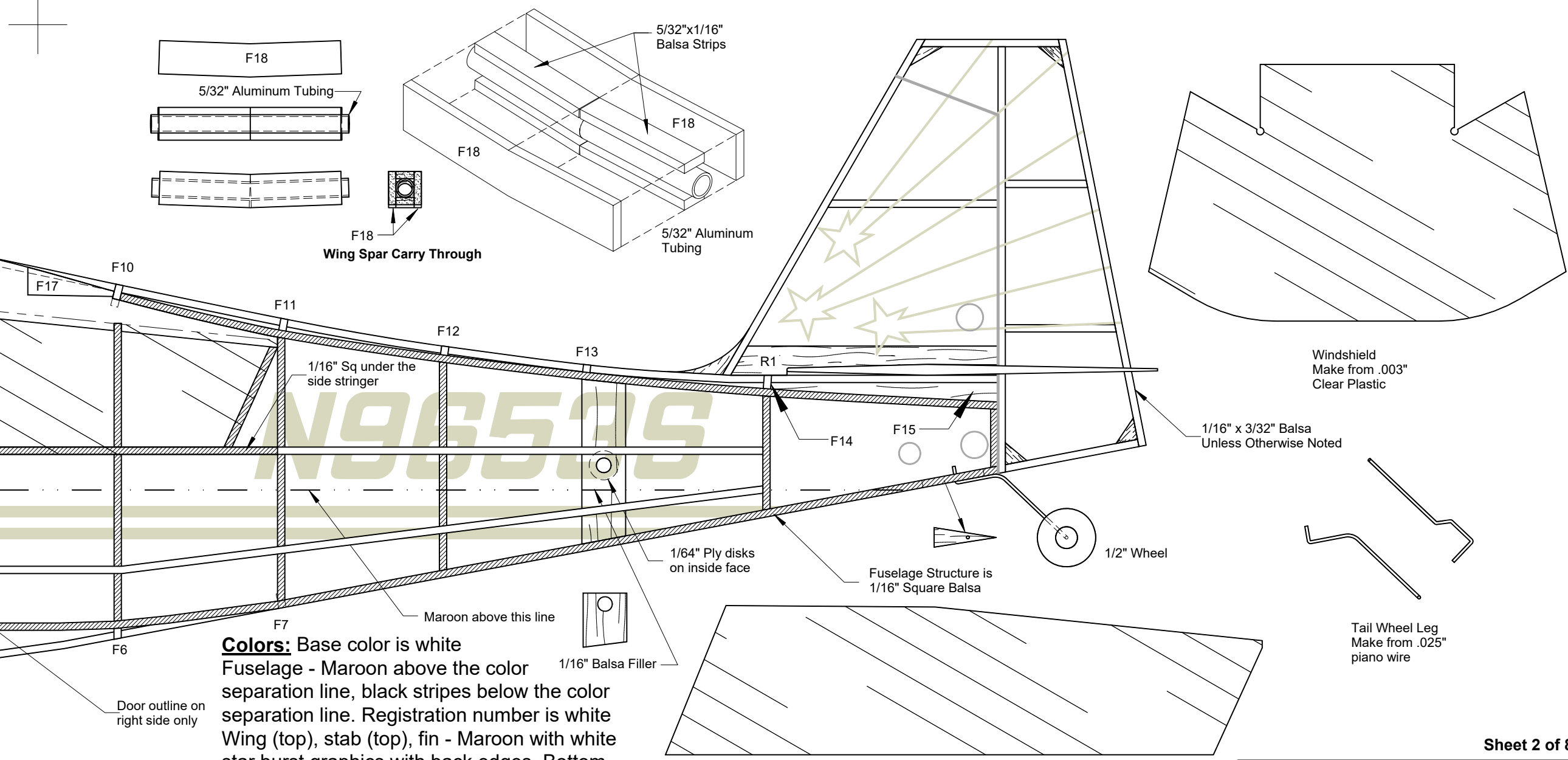
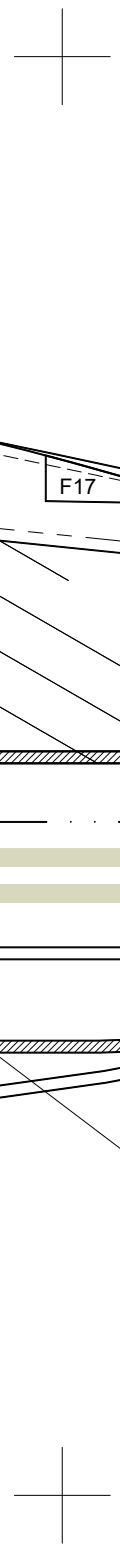


Wheel cross section
See sheet 7 for wheel notes

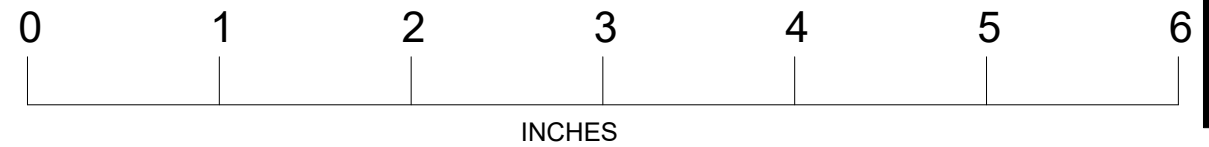


C14 - Card Stock

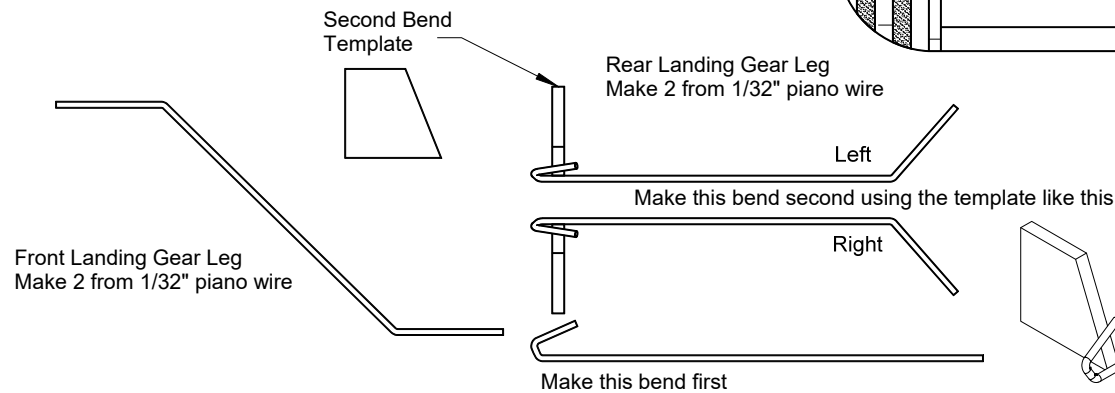
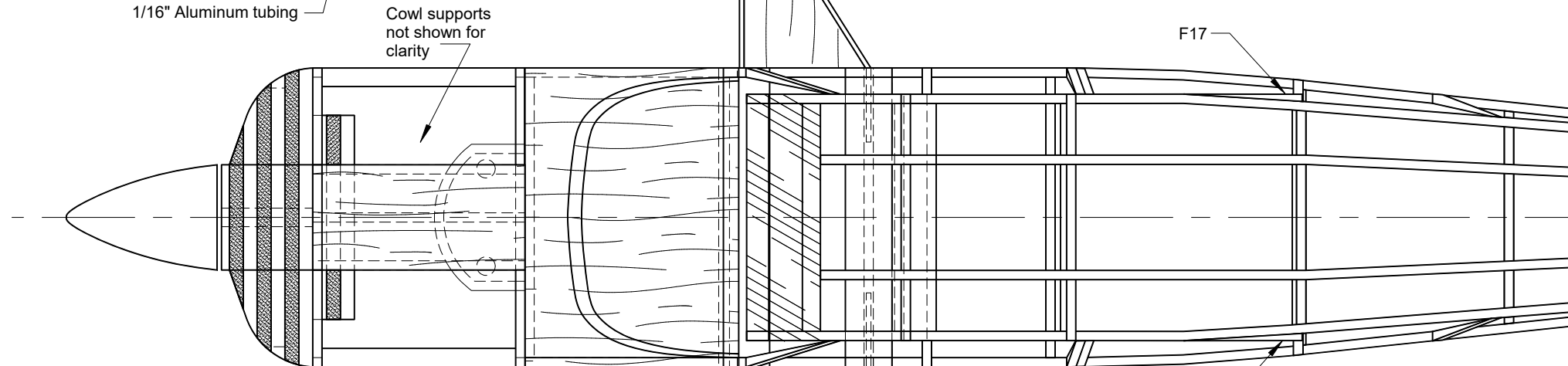
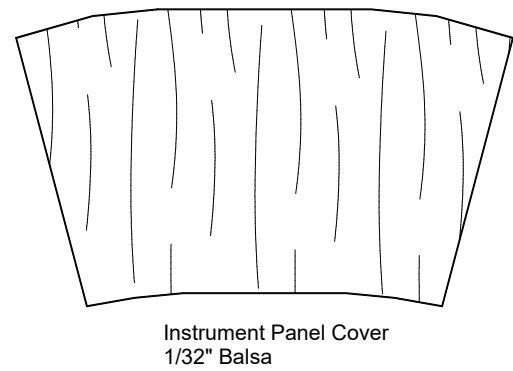
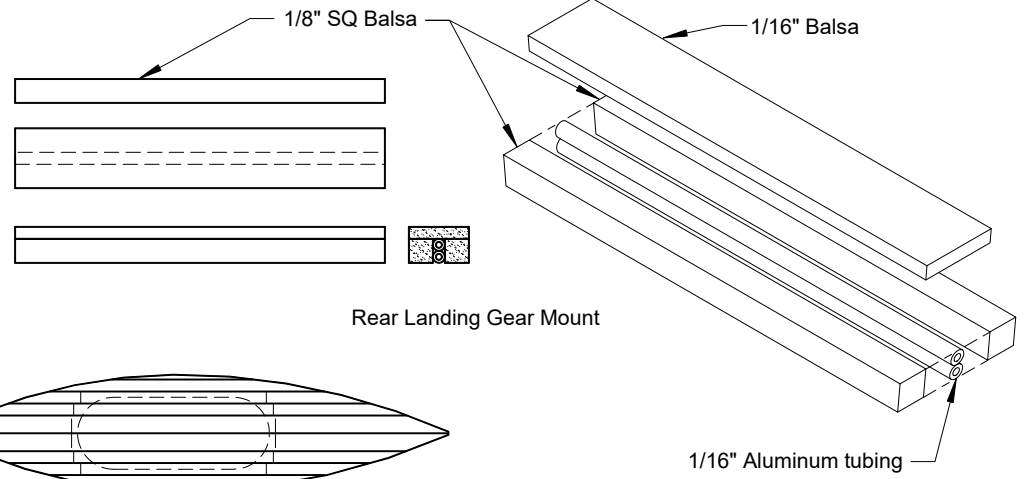
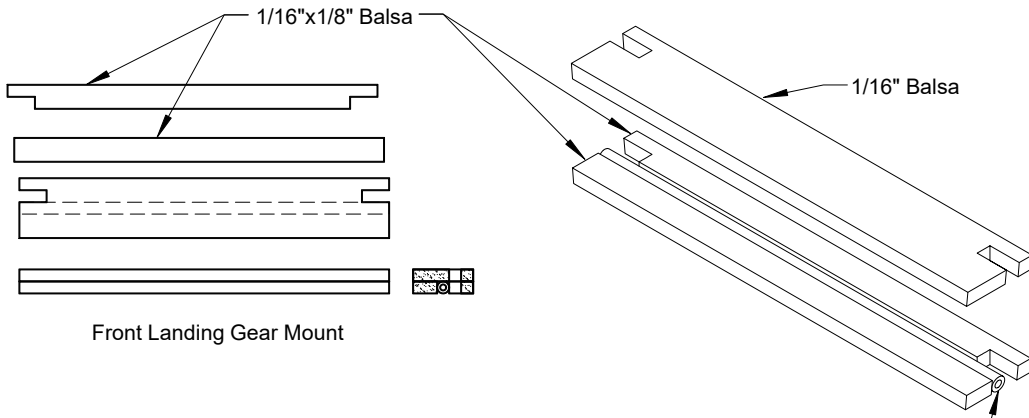
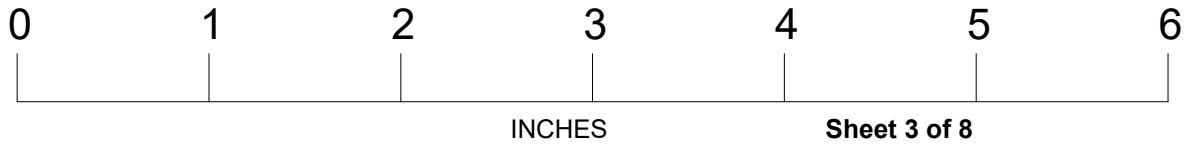
1" Wheels

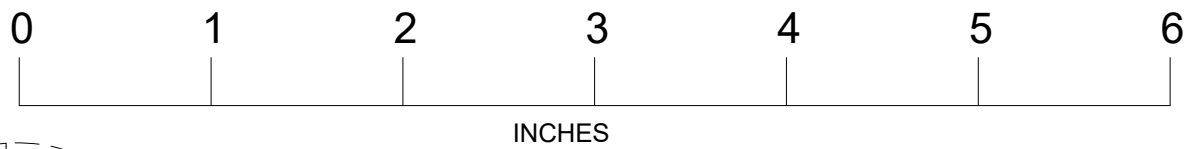


Colors: Base color is white
 Fuselage - Maroon above the color separation line, black stripes below the color separation line. Registration number is white
 Wing (top), stab (top), fin - Maroon with white star burst graphics with back edges. Bottom of wing and stab are Maroon with the wing having 5 stars on each side.
 Wheel pants are Maroon with star burst graphics on the outside face.

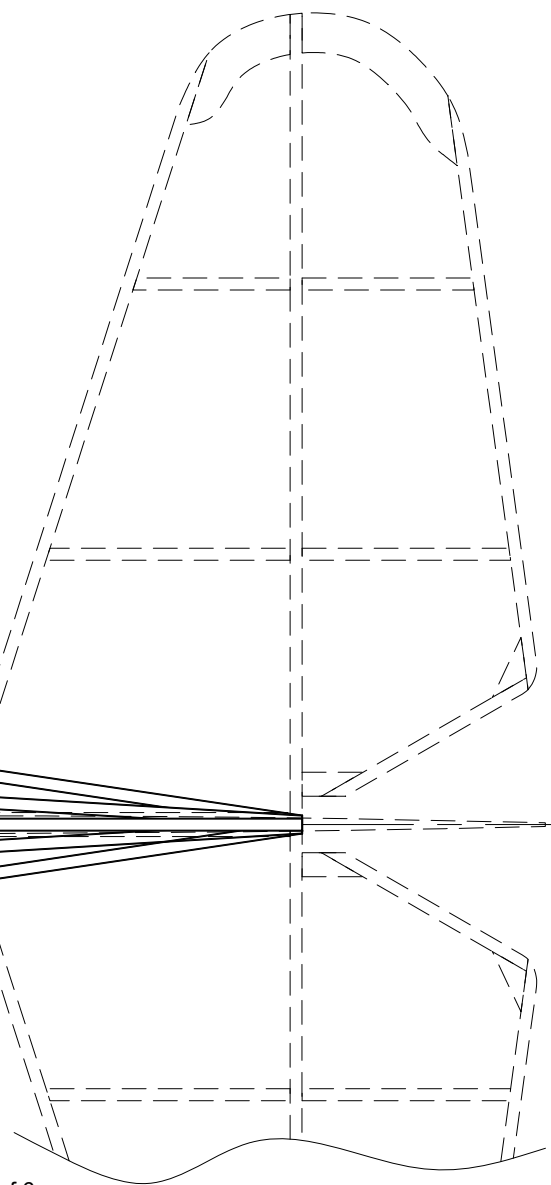
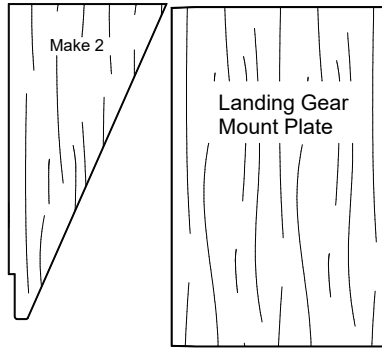
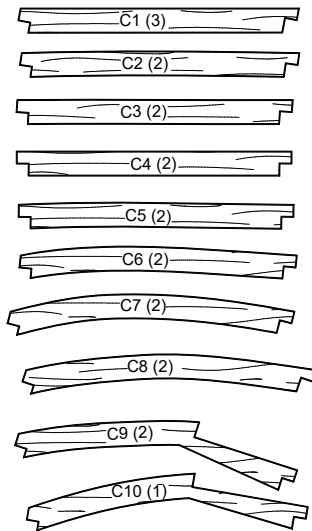


Champion Citabria For FAC Modern Civilian
25" Wing Span
Designed by Paul Bradley
September 2019

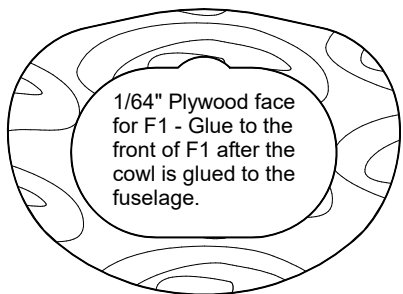
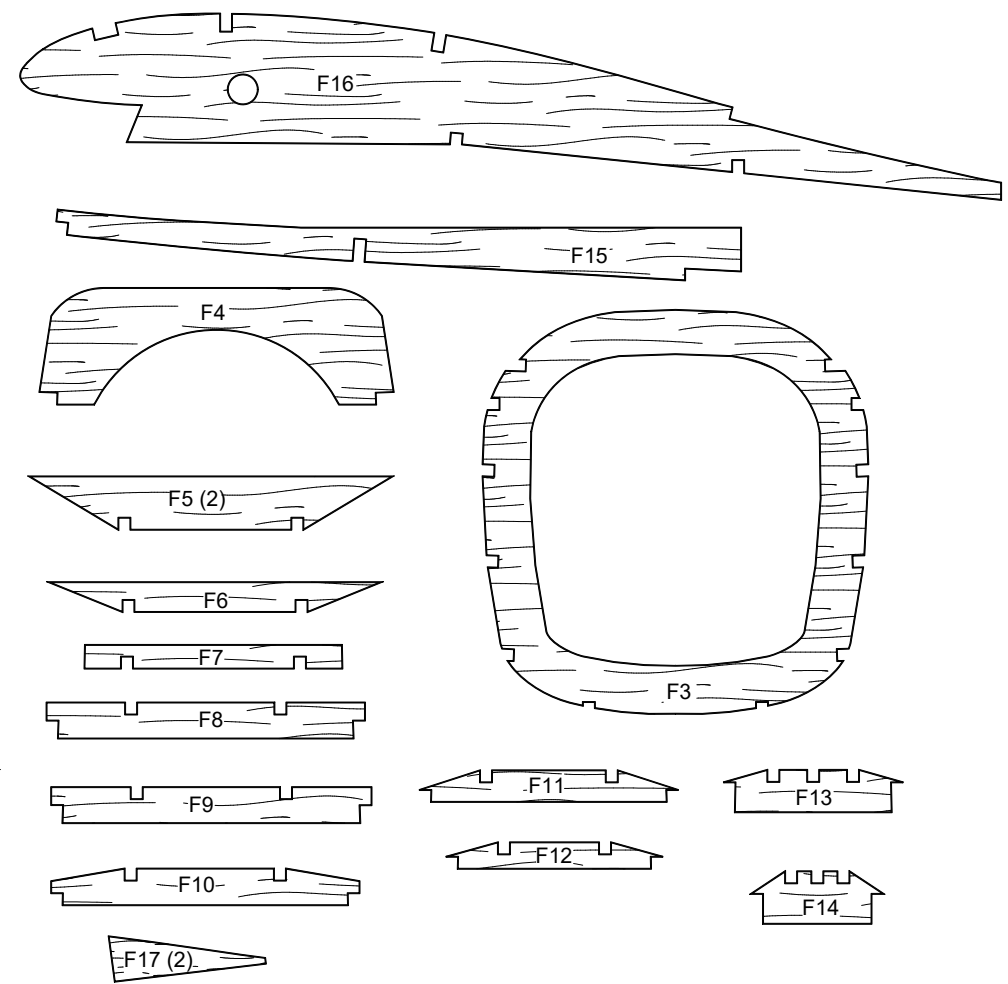




Make from 1/16" Balsa

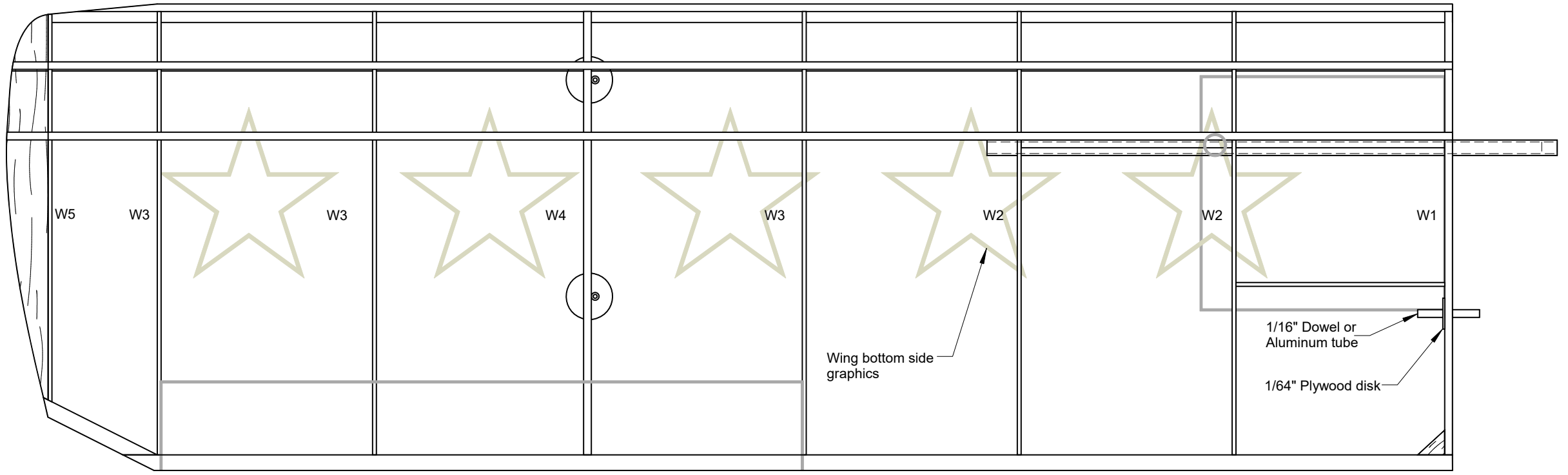


Make from 1/16" Balsa

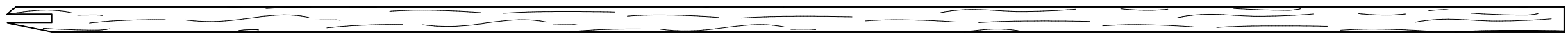


A braided motor is suggested for this model. The prototype used a motor of 6 strands of 3/32" rubber with 30" loops before braiding. Make up a motor and install it in the model. Wind it enough for the braiding to take effect when the motor unwinds. With the motor in the model and no slack between the prop hook and the rear motor peg, check the CG. The model should balance with CG located as shown. If necessary, add ballast to the nose or tail to get the model to balance at the designated CG location.

Champion Citabria For FAC Modern Civilian
25" Wing Span
Designed by Paul Bradley
September 2019



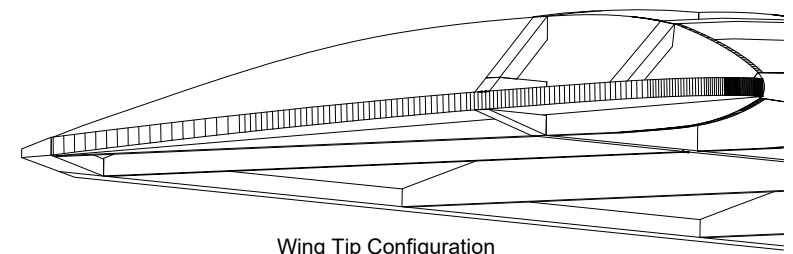
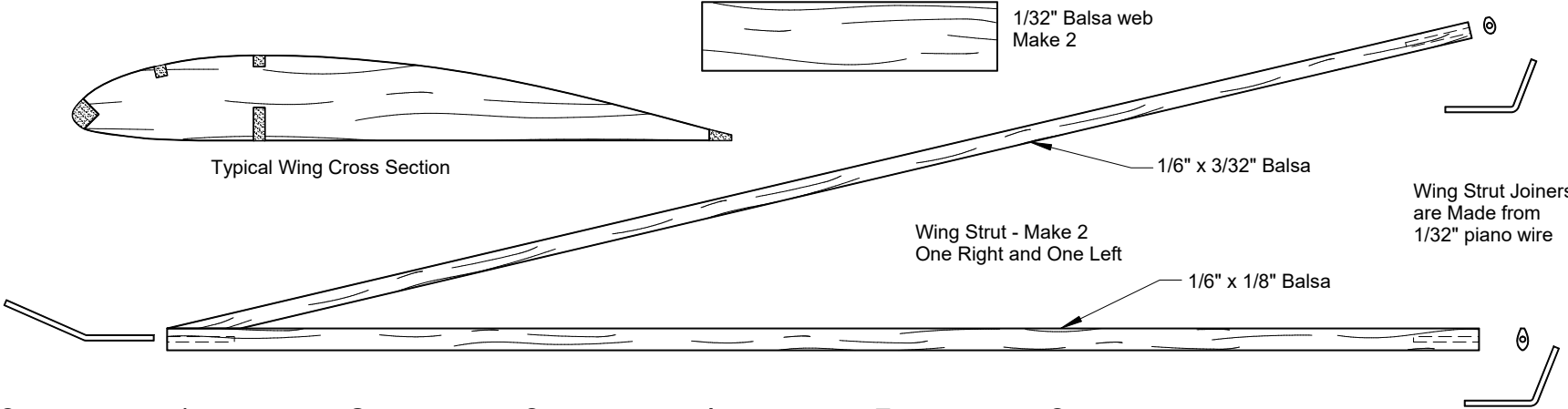
Main Wing Spar - 1/6" x 3/16" Balsa



Typical Wing Cross Section



1/32" Balsa web
Make 2

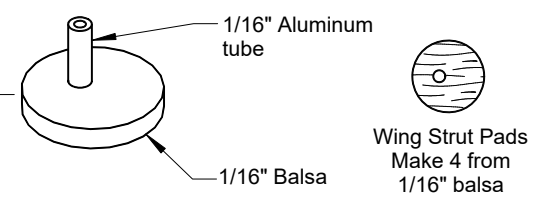
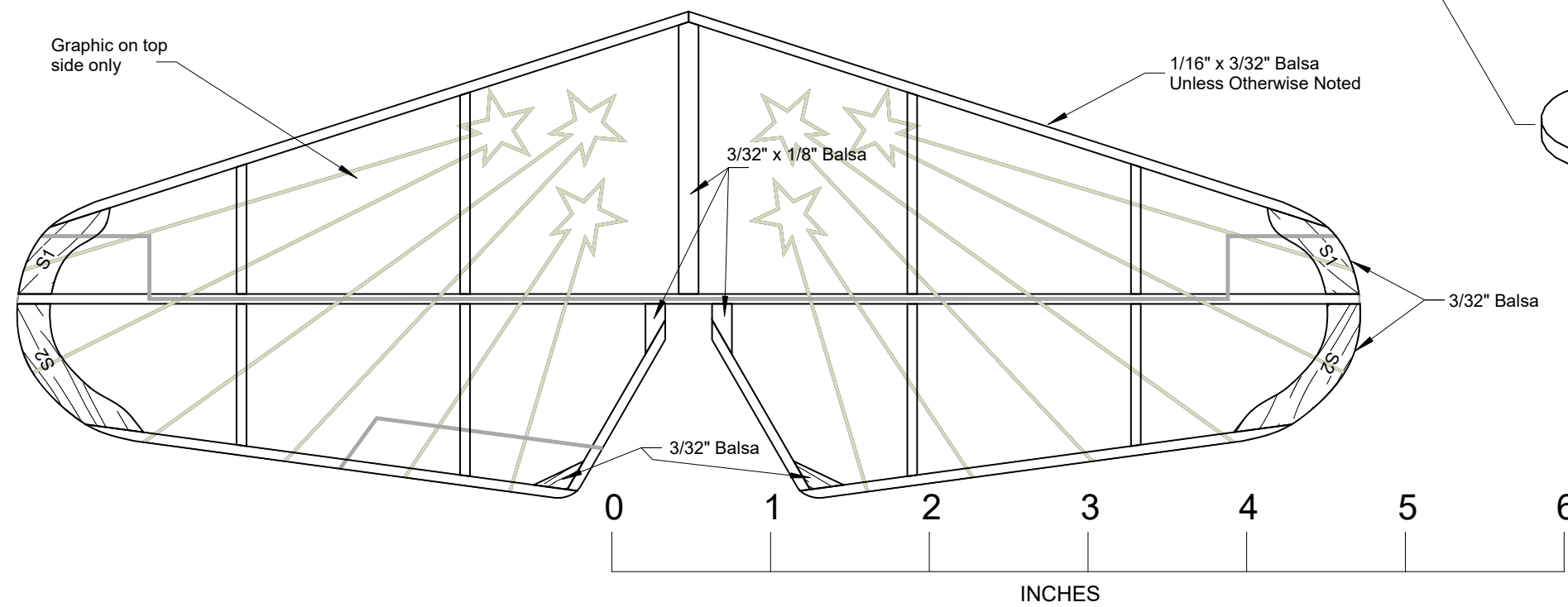
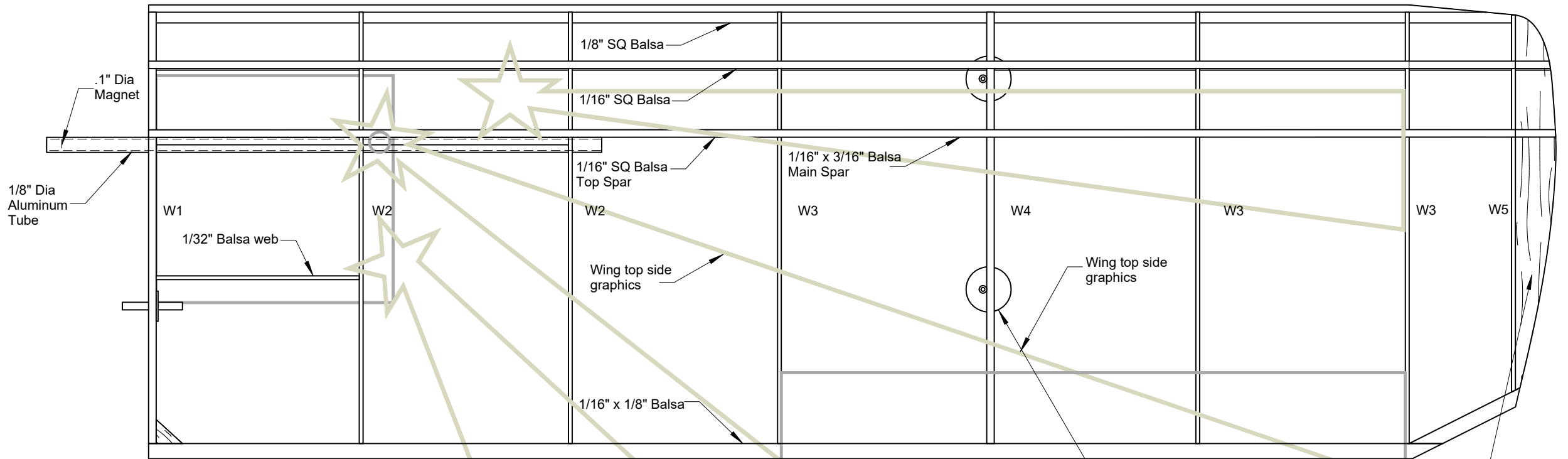


Wing Tip Configuration



INCHES

Champion Citabria For FAC Modern Civilian
25" Wing Span
Designed by Paul Bradley
September 2019



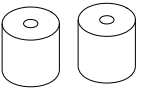
Wing Tip is 1/16" Balsa

Sheet 6 of 8

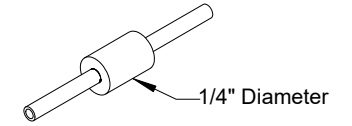
Champion Citabria For FAC Modern Civilian
25" Wing Span
Designed by Paul Bradley
September 2019

Balsa Wheel Assembly

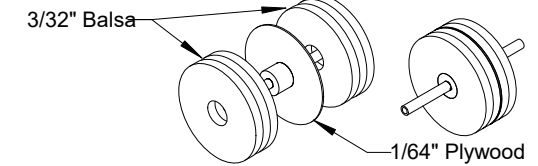
1. Drill a 3/32" hole through two 3/8" lengths of 3/8" dowel.



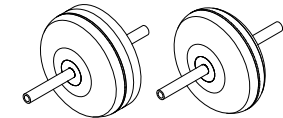
2. Glue a 1 1/2" length of 3/32" aluminum tubing in the dowel hole with the dowel centered on the tubing. For each assembly place one end of the aluminum tubing in an electric drill or drill press and turn the dowel diameter down to 1/4".



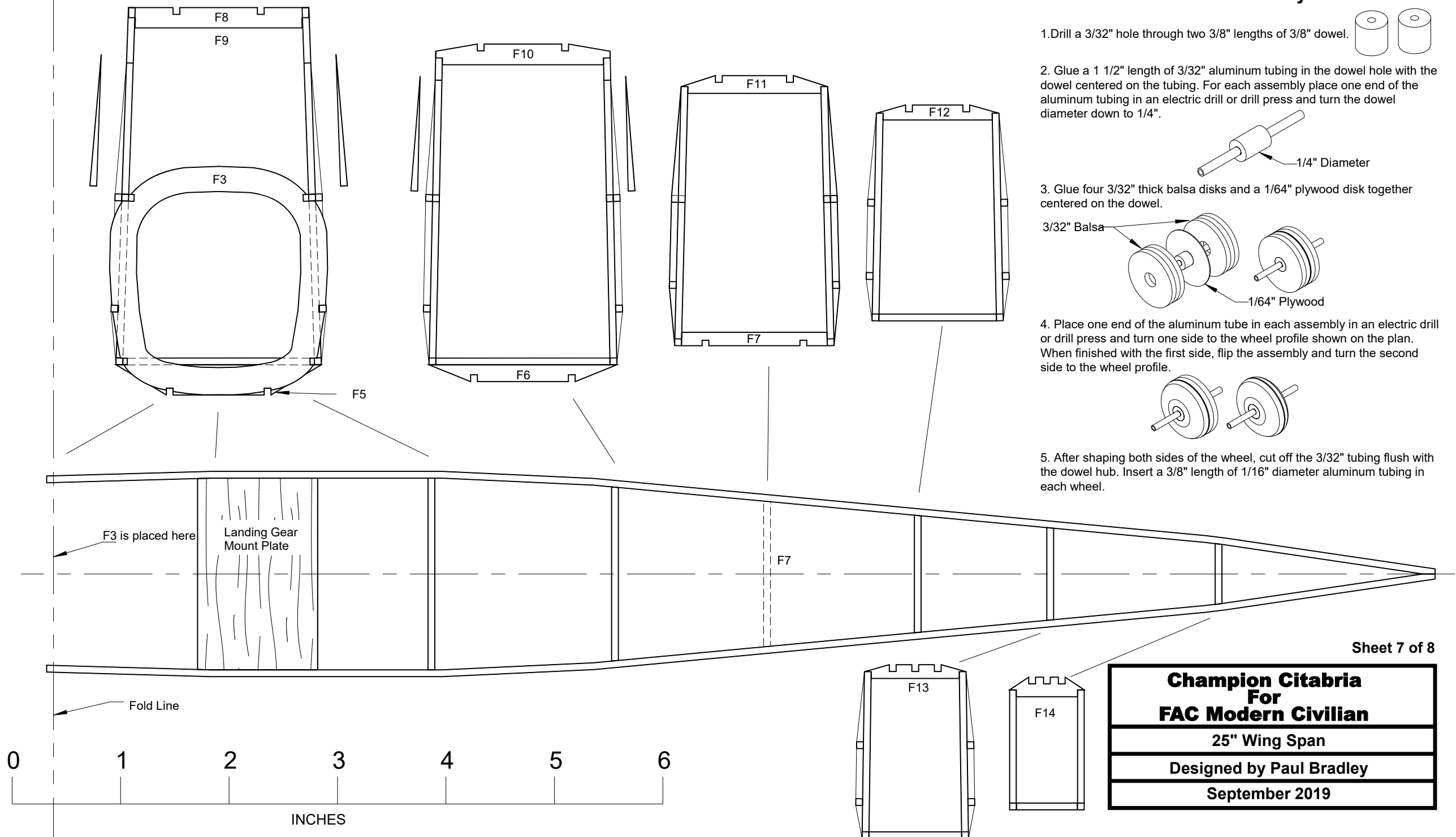
3. Glue four 3/32" thick balsa disks and a 1/64" plywood disk together centered on the dowel.



4. Place one end of the aluminum tube in each assembly in an electric drill or drill press and turn one side to the wheel profile shown on the plan. When finished with the first side, flip the assembly and turn the second side to the wheel profile.



5. After shaping both sides of the wheel, cut off the 3/32" tubing flush with the dowel hub. Insert a 3/8" length of 1/16" diameter aluminum tubing in each wheel.



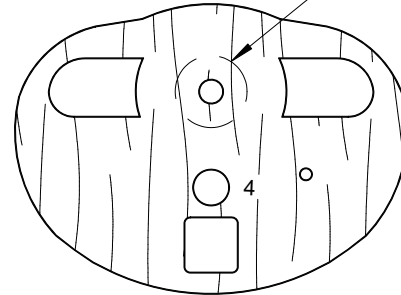
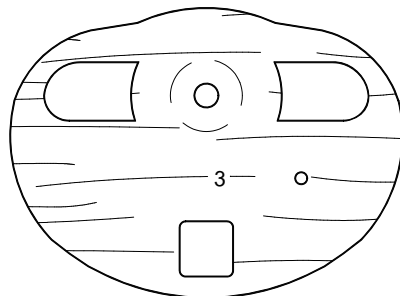
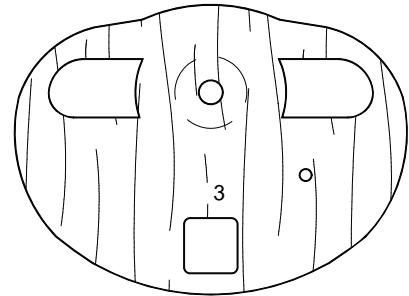
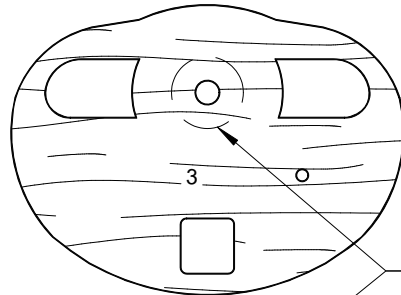
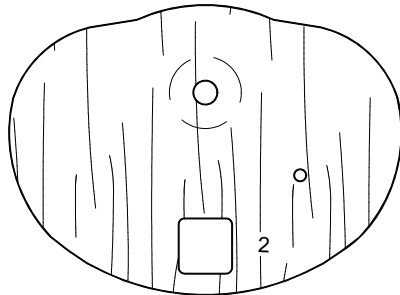
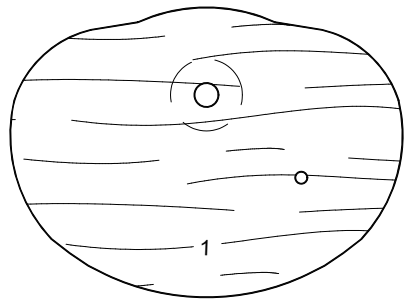
Sheet 7 of 8

**Champion Citabria
For
FAC Modern Civilian**

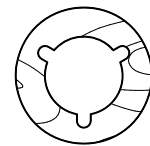
25" Wing Span

Designed by Paul Bradley

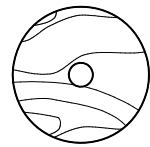
September 2019



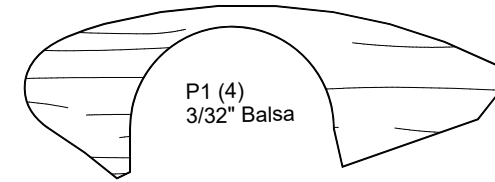
If a Gizmo Geezer thrust button will be used, drill a 3/8" diameter hole after the nose block laminations are glued together.



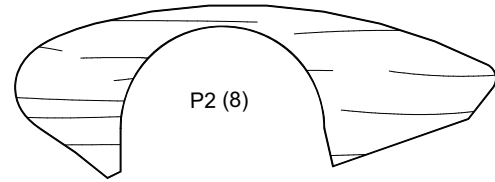
1/32" Plywood Ring for Gizmo Geezer thrust button



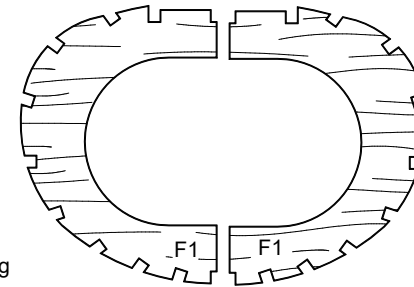
1/32" Plywood



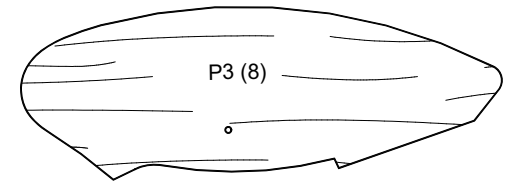
P1 (4)
3/32" Balsa



P2 (8)

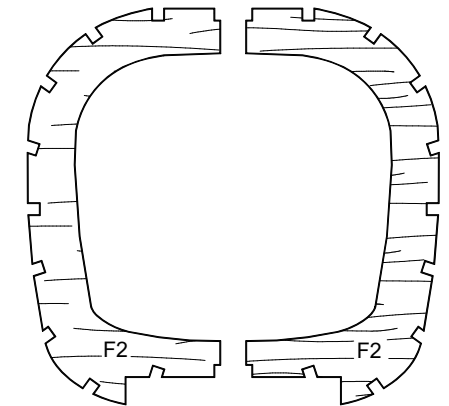


F1 (2)

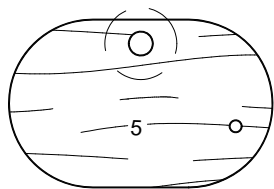


P3 (8)

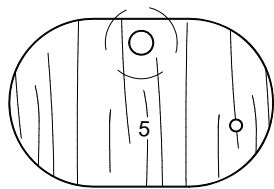
Make from 1/16" Balsa



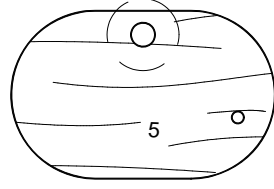
F2 (2)



5

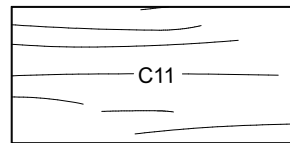


5



5

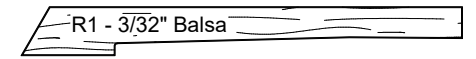
Make from 3/32" Balsa



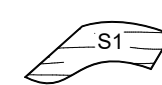
C11



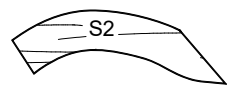
Wing Strut Pad
Make 4 from 1/16" Balsa



R1 - 3/32" Balsa

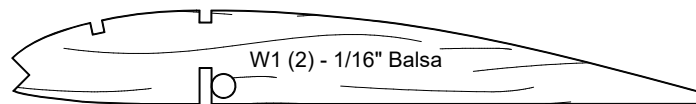


S1

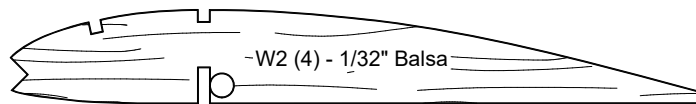


S2

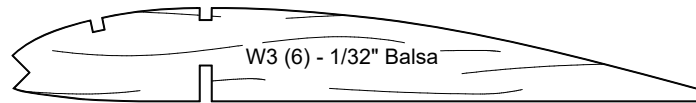
Make 2 each from 3/32" Balsa



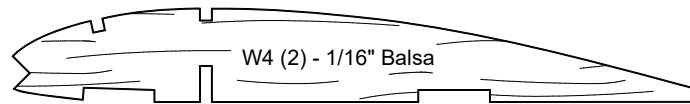
W1 (2) - 1/16" Balsa



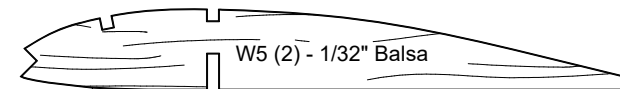
W2 (4) - 1/32" Balsa



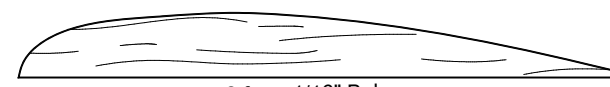
W3 (6) - 1/32" Balsa



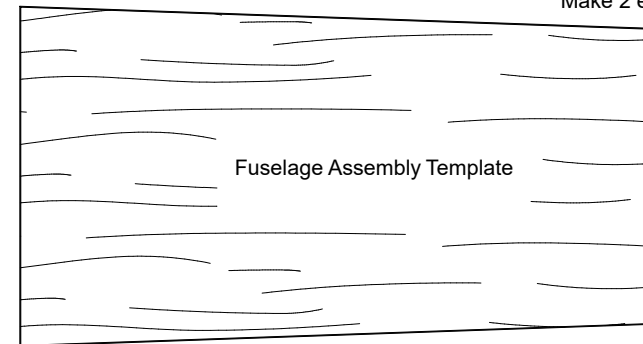
W4 (2) - 1/16" Balsa



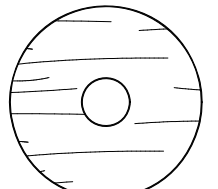
W5 (2) - 1/32" Balsa



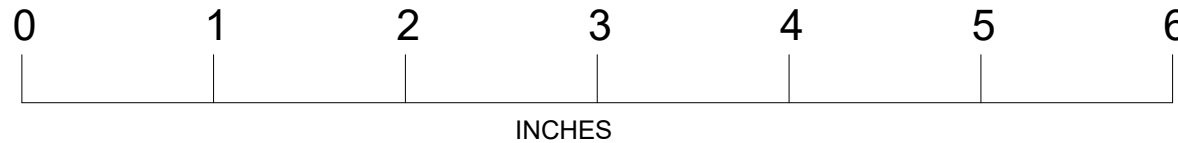
Wing Tip - Make 2 from 1/16" Balsa



Fuselage Assembly Template



Wheel disk. Make 8 from 3/32" balsa



Champion Citabria For FAC Modern Civilian
25" Wing Span
Designed by Paul Bradley
September 2019