



Process Solutions International™

No matter the processing problem, PSI has the solution.

High Shear Hopper

Key Benefits -

- Dynamic shearing
- Rapid hydration
- Uniform blending
- No moving parts
- Long distance delivery
- Stainless steel body

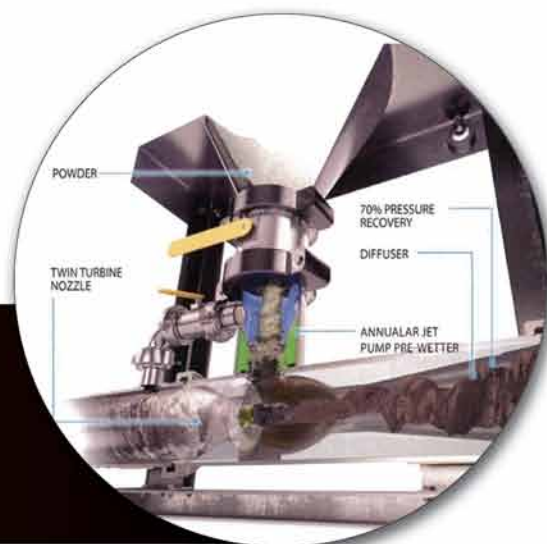


Features -

- 6" Mixing Eductor with high density, high abrasion resistant Urethane Nozzle & Diffuser
- Powder Pre-wetter line
- 4" Feed Inlet pressure gauge on feed inlet, liquid filled
- 24" Conical hopper with 6" butterfly valve and 30" x 48" work table constructed in 304 Stainless Steel
- 4" Suction vacuum gauge on suction, liquid filled
- All components are assembled with Groove type connections (quick disconnect)
- Operating Pressure 40-50 psi (92-115 ft/hd)
- Net Weight:
4 in - 300 lbs
6 in - 480 lbs



PSI Shear Mixers are designed to move large volumes of materials rapidly while drilling. They pump and introduce liquid and/or other additives into the materials, thereby sustaining high output.



For more information on our products, Please contact us at 7519 Prairie Oak Drive Houston, TX 77086
Local 281-893-4774 | (866) 866-4PSI (4774) | Fax 281-893-1027 www.PSIMAX2000.com

ISO 9001:2008

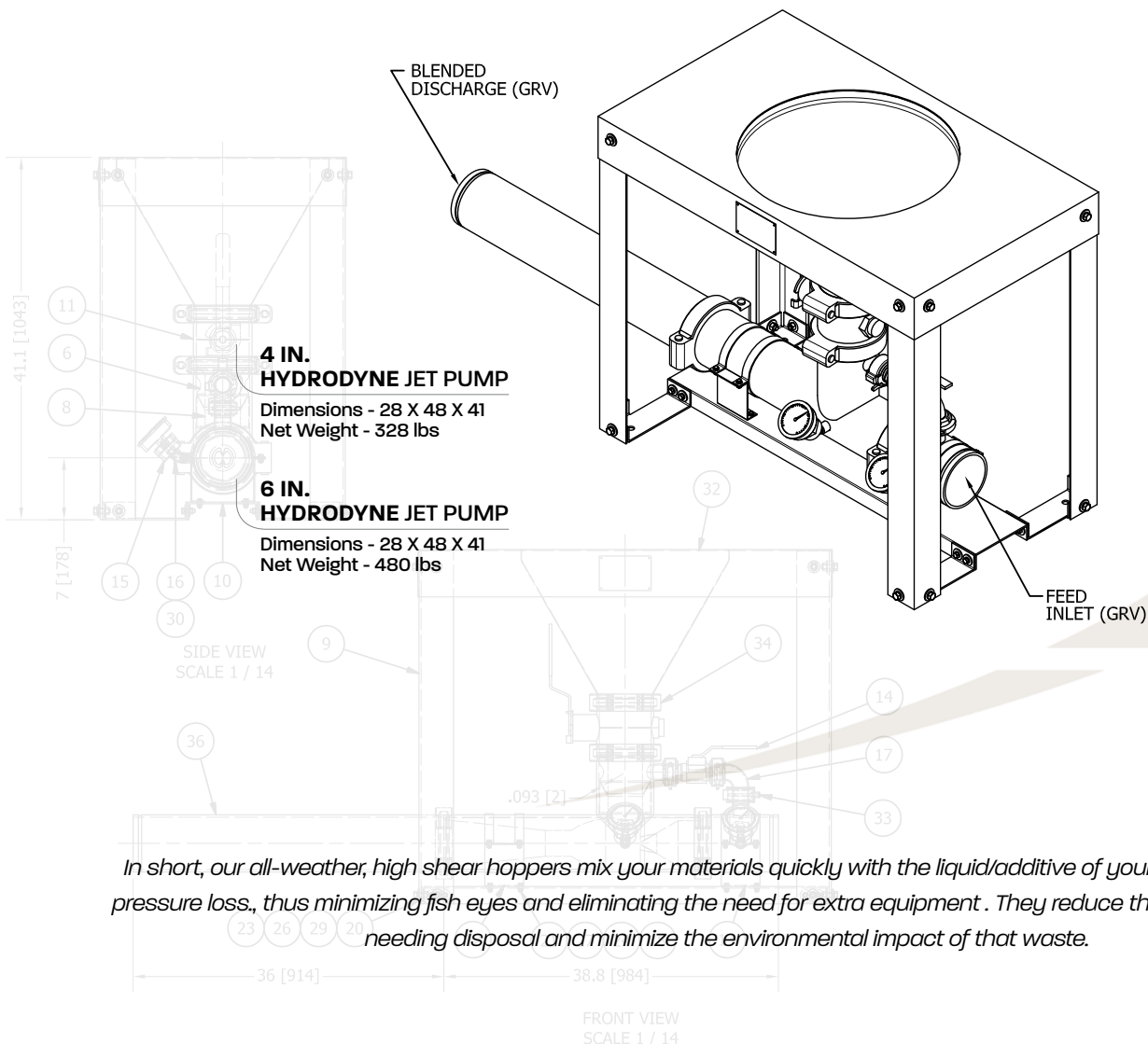
High Shear Hopper



Problem Solving-

The shear hopper diffuses additives into your materials by means of high velocity, suction, turbulence and recirculation. Additives can be added manually and liquids can be added from a drum or tank. It requires fewer polymer or surfactant and up to 50% less bentonite.

The PSI shear mixer is both a *radial premixer* — eliminating clumping, fisheyes and microgel — and *mixing eductor* — providing vigorous mixing and robust shearing.



In short, our all-weather, high shear hoppers mix your materials quickly with the liquid/additive of your choice using low pressure loss., thus minimizing fish eyes and eliminating the need for extra equipment. They reduce the amount of waste needing disposal and minimize the environmental impact of that waste.