

**API 607 - 5th Edition
CERTIFIED**



This high pressure series is designed with a high quality investment cast body. The seal welded ends offer high integrity pressure rating. Both Series F23 and F26 valves are NACE MR0175 and API-607 Firesafe tested for gas and oilfield service.

PEEK seats are offered as standard on this series. Series F23 is rated for 3600 psi; Series F26 is rated for 6000 psi.

F23 Series	
Valve Size	Valve Cv
1/4"	7
1/2"	15
3/4"	30
1" *	32
1-1/2"	120
2" *	120

* F23 1" & 2" are reduced port

F26 Series	
Valve Size	Valve Cv
1/4"	7
3/8" *	7
1/2"	15
3/4"	30
1"	50
1-1/2"	120
2" *	120

* F26 3/8" & 2" are reduced port

TORQUE TABLE (In-Lbs)

F23 Series			
SIZE	1000 PSI	2000 PSI	3000 PSI
1/4"	110	115	125
1/2"	110	115	125
3/4"	260	265	300
1"	275	285	350
1-1/2"	700	800	1050
2"	725	875	1100

F26 Series						
SIZE	1000 PSI	2000 PSI	3000 PSI	4000 PSI	5000 PSI	6000 PSI
1/4"	110	125	175	225	310	350
3/8"	110	125	175	225	310	350
1/2"	110	125	175	225	310	350
3/4"	260	265	300	375	400	500
1"	325	375	450	625	675	750
1-1/2"	650	655	900	1000	1200	1500
2"	700	725	1200	1200	1600	1900



Series F23 (3600 psi)
Series F26 (6000 psi)

FIRESAFE

**HIGH PRESSURE
Seal-Welded
2-Piece Design**

Sizes 1/4" - 2" (see dimensions chart for port sizes)

Available in 316SST & WCB

Threaded Ends Only

Seal Welded Ends

NACE MR0175

API 607 Firesafe Tested

Blowout Proof Stem

PEEK Seats Standard

Lockable Handle

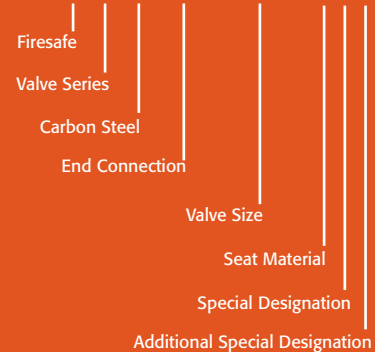
STANDARDS

DESIGN	ANSI/ASME B16.34
END CONNECTIONS	ASME B1.20.1
FIRE TESTING	API 607-5th Edition
SULFIDE STRESS PROTECTION	NACE MR0175
MATERIAL CERTIFICATION	EN 10204-3.1 MTR
QUALITY ASSURANCE	ISO 9001:2015

**HOW TO ORDER
MANUAL VALVES**

SAMPLE PART #

F23C-TH-0200-ZXX



See part number matrix for itemized options

SERIES F23 and F26 2-Piece Seal Welded

Firesafe



9955 International Blvd.
Cincinnati, Ohio 45246
www.atcontrols.com

PHONE (513) 247-5465
FAX (513) 247-5462
sales@atcontrols.com

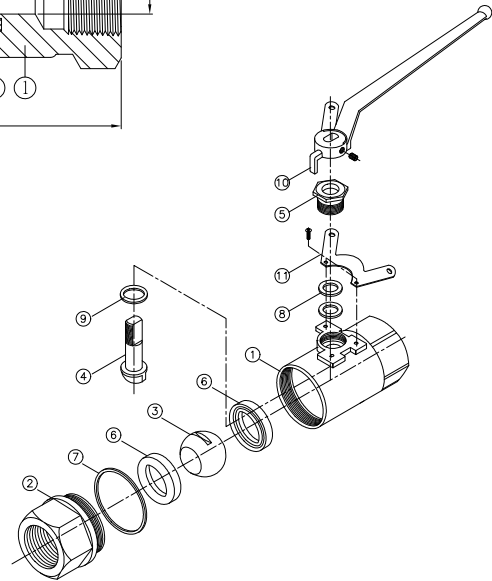
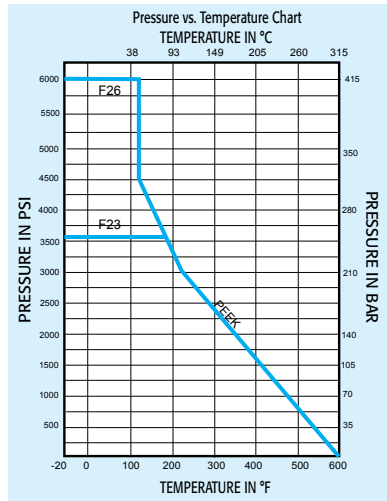
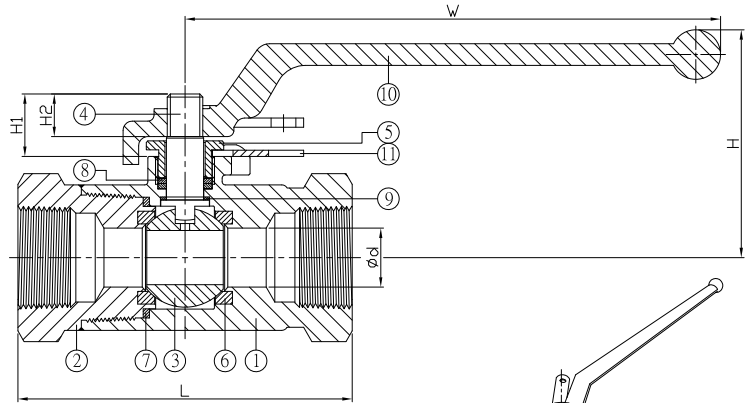
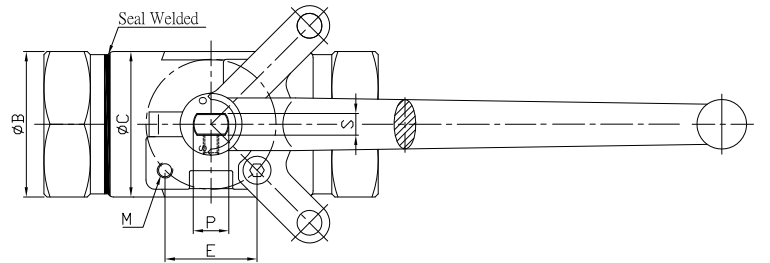
Series F23 (3600 psi) Series F26 (6000 psi)

2-Piece Seal Welded Threaded Ball Valve

API 607 - 5th Edition
CERTIFIED FIRESAFE

MATERIALS LIST

NO.	PART NAME	STAINLESS STEEL	CARBON STEEL
1	BODY	ASTM A351 GRADE CF8M	ASTM A216 GRADE WCB
2	CAP	ASTM A351 GRADE CF8M	ASTM A216 GRADE WCB
3	BALL	17-4 PH	17-4 PH
4	STEM	17-4 PH	17-4 PH
5	GLAND NUT	AISI 304	AISI 304
6	SEAT	PEEK	PEEK
7	BODY SEAL	GRAPHITE	GRAPHITE
8	PACKING	GRAPHITE	GRAPHITE
9	THRUST WASHER	CTFE	CTFE
10	HANDLE	AISI 304	AISI 304
11	LOCKING PAD	AISI 304	AISI 304



DIMENSIONS (IN)

F23 3600 PSI

Size	Port	L	H	H1	H2	W	d	B	C	S	P	E	M*	ISO 5211	LBS
1/4"	Full	3.00	2.23	0.59	0.35	5.59	0.25	1.26	1.54	0.217	0.32	1.00	M5	F03	1.50
1/2"	Full	4.00	2.23	0.59	0.35	5.59	0.50	1.26	1.54	0.217	0.32	1.00	M5	F03	1.68
3/4"	Full	4.25	3.00	0.79	0.45	6.81	0.75	1.85	1.85	0.271	0.44	1.17	M5	F04	2.95
1"	Regular	4.25	3.00	0.79	0.45	6.81	0.75	1.85	1.85	0.271	0.44	1.17	M5	F04	2.76
1-1/2"	Full	5.28	4.61	1.16	0.81	9.74	1.50	3.03	3.39	0.389	0.64	1.95	M8	F07	10.82
2"	Regular	6.22	4.61	1.16	0.81	9.74	1.50	3.23	3.39	0.389	0.64	1.95	M8	F07	11.82

* 3-hole mounting pad

F26 6000 PSI

Size	Port	L	H	H1	H2	W	d	B	C	S	P	E	M*	ISO 5211	LBS
1/4"	Full	3.00	2.23	0.59	0.35	5.59	0.25	1.26	1.54	0.217	0.32	1.00	M5	F03	1.50
3/8"	Regular	3.00	2.23	0.59	0.35	5.59	0.25	1.26	1.54	0.217	0.32	1.00	M5	F03	1.48
1/2"	Full	4.00	2.23	0.59	0.35	5.59	0.50	1.50	1.54	0.217	0.32	1.00	M5	F03	1.96
3/4"	Full	4.25	3.00	0.79	0.45	6.81	0.75	1.85	2.05	0.271	0.44	1.17	M5	F04	3.44
1"	Full	4.80	3.27	0.79	0.45	6.81	1.00	2.17	2.68	0.271	0.44	1.39	M6	F05	6.00
1-1/2"	Full	5.28	4.61	1.16	0.81	9.74	1.50	3.03	3.82	0.389	0.64	1.95	M8	F07	14.00
2"	Regular	6.22	4.61	1.16	0.81	9.74	1.50	3.62	3.82	0.389	0.64	1.95	M8	F07	16.34

* 3-hole mounting pad

A-T Controls reserves the right to change product designs and technical/dimensional specifications without notice.



9955 International Blvd. PHONE (513) 247-5465
Cincinnati, Ohio 45246 FAX (513) 247-5462
www.atcontrols.com sales@atcontrols.com