



Operating instructions

PLS 200 series



1. Contents

1. Contents.....	2
2. Note.....	3
3. Instrument inspection.....	3
4. Description.....	3
5. Operating principle.....	4
6. Installation.....	4
7. Technical details.....	5
8. Dimensions.....	5
9. Order details.....	6
10. Declaration of Conformity EU.....	7

Manufactured by:

Kobold Mesura S.L.U
Avda. Conflent, 68 nave 15
08915 Badalona
Tel.: +34 93 460 38 83
Fax: +34 93 460 38 72
E-Mail: info.es@kobold.com
Internet: www.kobold.com

Edition: January 2018

2. Note

Please read these operating instructions before unpacking and putting the unit in operation. Follow instructions precisely as described herein.

This instrument must be operated, maintained and serviced by people used to work with these operating instructions and in accordance with local regulations applying to Health & Safety and prevention of accidents.

3. Instrument inspection

All instruments are inspected before shipping and they are sent out in perfect conditions. In case of any visible damage, please inform immediately your parcel service / forwarder, since he is responsible for damages during transit.

Scope of delivery:

The standard delivery includes:

- Pendulum level instrument PLS.200
- Cable gland M20
- Cone
- Rod
- Nut
- Anchor fitting
- Operating instructions manual

4. Description

PLS.200 pendulum controllers are used to detect maximum level in tanks or silos containing solid products.

PLS.200 has two main parts:

- Housing with micro switch and connection terminals.
- Rod and displacement cone.

5. Operating principle

The cone of the controller must be exposed to the material to be detected. When the slope of the material filling the silo reaches the cone, exerts progressive pressure against it thus, moving in any direction, the cone-rod set with respect to the vertical. The microswitch will switch when the rod reaches an inclination of about 10 °.

6. Installation

PLS.200 levels can only be used to detect maximum level, and must always be installed in the top of the tank.

For optimum performance, it is very important to follow these recommendations:

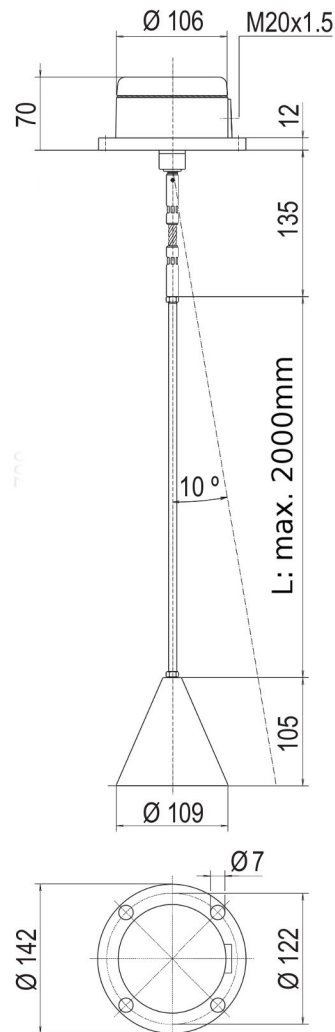
- NEVER install the PLS.200 in the filling path.
- Housing must always be perpendicular to the rod to avoid false detection.
- Enough gap between wall of tank and instrument to allow free pendulum movement.
- Minimum density of product 0,3 t/m³ ... 3 t/m³.

7. Technical details

Note: Following technical information is accurate but subject to change without prior notice

Contact max: 250Vca 15A
 Working Temperature: -25 to +80°C
 Ambient Temperature: -20 to +70°C
 Aluminum housing IP66
 Flange Ø142
 Cable entry: 1 cable gland M20x1.5

8. Dimensions



9. Order details

Model	Approval	Pendulum length L
PLS-200	00= without	05 = 500 mm 10 = 1000 mm 12 = 1200 mm 15 = 1500 mm 20 = 2000 mm XX = special length on request

10. Declaration of Conformity EU

DT0337

DECLARACIÓN DE CONFORMIDAD EU

EU DECLARATION OF CONFORMITY
EU-KONFORMITÄTSERKLÄRUNG
DÉCLARATION DE CONFORMITÉ
DICHIARAZIONE DI CONFORMITÀ EU

KOBOLD MESURA SLU
Avda. Conflent 68 nave 15 08915 Badalona (España)

Declara, bajo la propia responsabilidad, que el producto

Declares under our sole responsibility, that the product
Erklärt in alleiniger Verantwortung, daß das produkt
Déclare sous sa seule responsabilité, que le produit
Dichiara sotto la propria responsabilità, che il prodotto

PLS200

A los cuales se refiere esta declaración, son conformes a las siguiente Directivas Europeas:

To which this declaration relates is in conformity with the following European Directives:

Mit folgenden Richtlinien Konform ist:

À auxquels se réfère cette déclaration, ils sont conformes aux Directives Européennes suivant :

A ai quali si riferisce questa dichiarazione, sono conformi alle direttive europee seguente:

EMC2014/30/EU LVD2014/35/EU

Normas armonizadas y documentos de la normativa aplicados:

Applied harmonised standards and normative documents:
Angewandte harmonisierte Normen oder normativer Dokumente:
Normes harmonisées et documents normatifs appliqués
Norme armonizzate e documenti normativi applicati:

EN61010-1:2011

EN60529:199+A1:2000+A2:2013

Fabricado en: KOBOLD MESURA SLU Avda. Conflent 68 nave 15 08915 BADALONA (Spain)

Made in:

Hergestellt in:

Fabriqué dans:

Fabbricato in:



Gerente
Azzam Charmand

Badalona june 2017

KOBOLD MESURA S.L.U

Avda. Conflent 68 nave15

08915 Badalona

Tel.: +34 93 460 38 83

Fax: +34 93 460 38 76

E-Mail: info.es@kobold.com

www.kobold.com

**Technical data subject to change
without prior notice.**

