

## New Wi-Fi Life for Your IP Phone

Wi-Fi USB Dongle WF40 is a low-power, small form factor device that can be implemented within offices for seamlessly connecting their IP phones to available wireless networks. This dynamic plug-and-play style USB device is an ideal office networking solution for companies—particularly, smaller organizations—seeking affordable, convenient and reliable high-speed wireless connectivity.

Supported by a powerful transmission rate of 150 Mbps, the solution is able to quickly and reliably establish Wi-Fi connectivity so that users can optimally communicate, collaborate, access pertinent documents and resources and more. Wi-Fi USB Dongle WF40 is safe, reliable and easy deployment, which guarantees a flexible and optimal user experience. Even more, Wi-Fi USB Dongle WF40 is compliant with the IEEE802.11n and IEEE802.11b/g standards, maximizing reliability and throughput.



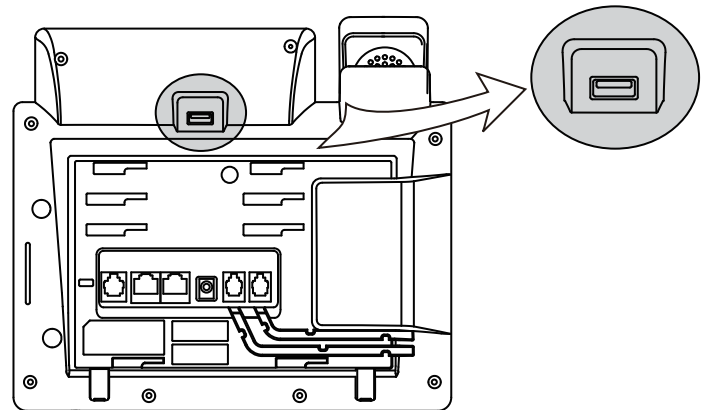
### Key Features and Benefits

- Supports T29G/T46G/T48G/T46S/T48S
  - For T48G: upgrade to the version of 35.80.0.95 or higher
  - For T29G/T46G/T46S/T48S: upgrade to the version 81 or higher
- Reliable Connection
- Ease-of-use
- Plug and Play
- High Transmission Rate
- Lower Power Consumption

### Specifications

- Network Standard: IEEE802.11b/g/n
- Transmission Rate: 150 Mbps
- Frequency Range: 2.4GHz
- Security:
  - 64/128/152-bit WEP Encryption, WPA-PSK, WPA2-PSK
- Interface: USB2.0
- L\*W\*H: 26.9mm\*18mm\*8mm
- Working Temperature: 0°C ~ +50°C ( 32°F ~ 122°F)
- Storage Temperature: -40°C ~+85°C (-40°F ~ 185°F)

### Certifications



### Package Features

- Qty/CTN: 40 PCS
- N.W/CTN: 1.70 kg
- G.W/CTN: 2.20 kg
- Carton Meas: 305mm\*260mm\*272mm
- Box Size: 119mm\*113mm\*26mm