

Paddle Wheel Flowmeter



measuring
•
monitoring
•
analyzing

DPE



- Measuring Ranges: 1.5...8 GPM to 15...200 GPM
- Measuring Accuracy: $\pm 2.5\%$ of Full Scale
- p_{\max} : 580 PSIG
- t_{\max} : 176 °F
- Connection: 1/2" NPT...3" NPT
- Material: Brass, Stainless Steel
- Output: Pulse, 4-20 mA, LED or LCD Displays, Contacts



KOBOLD companies worldwide:

ARGENTINA, AUSTRALIA, AUSTRIA, BELGIUM, BULGARIA, CANADA, CHILE, CHINA, COLOMBIA, CZECH REPUBLIC, EGYPT, FRANCE, GERMANY, HUNGARY, INDIA, INDONESIA, ITALY, MALAYSIA, MEXICO, NETHERLANDS, PERU, POLAND, REPUBLIC OF KOREA, ROMANIA, SINGAPORE, SPAIN, SWITZERLAND, TAIWAN, THAILAND, TUNISIA, TURKEY, UNITED KINGDOM, USA, VIETNAM

KOBOLD Instruments, Inc.
1801 Parkway View Drive
Pittsburgh, PA 15205
Main Office:
1.800.998.1020
1.412.788.4890
info@koboldusa.com
www.koboldusa.com



Description

The DPE series paddle wheel flowmeters are an economical yet reliable solution for measuring liquid flows in pipes up to 3 inches in diameter. The unique "insertion" impeller design protrudes minimally into the flow stream, which minimizes head loss and allows for measurement of dirty liquids and liquids with high solid content, without risk of failure. They feature a PVDF impeller supported on a sapphire bearing system which provides an exceptionally long life and excellent chemical resistance properties. They are available with either brass or stainless steel threaded bodies. A Hall effect sensor detects the passing of permanent magnets imbedded in the impeller blades. The output of the Hall sensor is converted to a linear pulse or 4-20 mA signal. Optionally, a variety of displays and controllers are available to provide flow rate indication, analog outputs and programmable setpoint switches. The combination of simple, reliable design and the variety of body materials and electronics makes the DPE a sure solution for the toughest flow metering applications.

Fields of Application

- Monitoring Cooling Water
General Mechanical Engineering
Waste Water Treatment
Heavy Goods Industry
Chemical Industry

Technical Details

Measuring Accuracy: +/- 2.5% of Full Scale
Process Temperature: -10...176°F
Ambient Temperature: Max. 176°F
Max. Op. Pressure: 580 PSIG / 68°F
Max. Pressure Loss

DPE-..50: 0.73 PSIG
DPE-..55, DPE-..60: 0.44 PSIG
DPE-..65: 0.58 PSIG
DPE-..70: 0.29 PSIG
DPE-..75: 0.15 PSIG

Protection: IP 65

Materials

Housing: Brass
316 Stainless Steel

Seals

Brass Version: NBR
SS Version: FKM
Turbine Wheel: PVDF
Axle: 316 Stainless Steel
Bearing: Sapphire

Electronics

Frequency Output (..F300)

Power Supply: 12 - 28 VDC
Power Consumption: 10 mA
Pulse Output: PNP, Open Collector, Max. 25 mA
Electrical Conn.: Plug Connector M12x1

Frequency Output with Frequency Divider (..F390)

Power Supply: 24 VDC +/-20%
Power Consumption: 15 mA
Pulse Output: PNP, Open Collector, Max. 25 mA
Electrical Conn.: Plug Connector M12x1
Division Ratio: 1...1/128, Factory Set

Analog Output (..L342, ..L343, ..L442)

Power Supply: 24 VDC +/-20%
Output: 4-20 mA, 2- or 3-wire
Max. Load: 500 Ohm
Electrical Conn.: Plug Connector M12x1 or DIN 43 650
Optional: Plug-on Display (with Plug Connector DIN 43 650, 2-wire)

Compact Electronics (..C3xx)

Display: 3-segment LED
Analog Output: 4...20 mA Adjustable, Max. 500 W
Switching Outputs: 1 (2) Semiconductor PNP or NPN, Factory Set
Contact Operation: N/C/N/O Contact, Programmable with 2 Buttons
Setting: 24 VDC +/-20%, 3-wire Technology, Approx. 100 mA
Supply:
Electrical Conn.: Plug Connector M12x1

ADI-1 Totalizing Electronic (..Kx42)

Display: 270° Bargraph, 5-Digit Digital Display
Analog Output: 4...20 mA, 0-10 VDC
2 Switching Outputs: Relay /Changeover Contact, Max. 250 VAC/5A Resistive Load, Max. 30 VDC / 5A with 4 buttons
Setting: 100...240VAC +/- 10% or 18...30VAC/ 10...40VDC
Power Supply:
Electrical Conn.: Pluggable Terminal Block via Cable Gland

ZED Totalizing Electronic (..E34R)

Display: LCD, 2 x 8 Digit, Illuminated, Grand Total, Resettable Total and Flow Quantities Unit Selectable
Analog Output: 4...20 mA Adjustable
Load: Max. 500 Ohm
Switching Output: 2 Relays, Max. 250V/5A/1000 VA via 4 Buttons
Settings:
Functions: Reset, MIN/MAX Memory, Flow Monitor, Monitoring for Part and Total Quantity, Language
Power Supply: 24 VDC +/- 20%, 3-wire
Power Consumption: Approx. 170 mA
Electrical Conn.: Pluggable Terminal Block via Cable Gland

ZED Batching Electronic (..G34R)

Display: LCD, 2 x 8 digit, Illuminated, Grand Total, Resettable Total and Flow Quantities Unit Selectable
Analog Output: 4...20 mA, Scalable
Load: Max. 500 Ohm
Switching output: 2 Relays, Max. 250V/5A/1000 VA via 4 Buttons
Settings:
Functions: Batching (Relay S2), Start, Stop, Reset, Fine Batching, Correction Amount, Flow Switch, Total Quantity, Language
Power Supply: 24 VDC +/- 20%, 3-wire
Power Consumption: Approx. 170 mA
Electrical Conn.: Pluggable Terminal Block via Cable Gland



Order Details (Example: **DPE-1160 N6 K042**)

Model			Process Connection	Evaluating Electronics
(GPM)	Material			
	Brass	Stainless Steel		
1.5...8	DPE-1150..	DPE-1250..	..N4.. = 1/2" NPT	<p>Frequency Output ..F300 = Frequency Output, Plug Connector M12 x 1 ..F390 = Frequency Divider 1...1/128, Plug Connector M12x 1</p> <p>Analog Output ..L342 = 4-20 mA Output, 2-wire, M12 x 1 Plug Connector ..L343 = 4-20 mA Output, 3-wire, M12 x 1 Plug Connector ..L442 = 4-20 mA Output, 2-wire, Plug Connector DIN 43 650</p> <p>Compact Electronic* ..C30R = LED-Display, 2 x Open Collector, PNP, Plug Connector M12 x 1 ..C30M = LED-Display, 2 x Open Collector, NPN, Plug Connector M12 x 1 ..C34P = LED-Display, 4-20 mA, 1 x Open Collector PNP, Plug Connector M12 x 1 ..C34N = LED-Display, 4-20 mA, 1 x Open Collector NPN, Plug Connector M12 x 1</p> <p>ADI-1 Rate/Totalizing Electronic* ..K042 = Bargraph/Digital Display, 100-240 VAC, 4-20mA & 0-10 VDC, 2 SPDT Contacts ..K342 = Bargraph/Digital Display, 10-40 VDC, 4-20mA & 0-10 VDC, 2 SPDT Contacts</p> <p>ZED Rate/Totalizing Electronic* ..E34R = LCD, 2x 8-digit, 24 VDC, 4-20 mA, 2 SPDT Contacts</p> <p>ZED Batching Electronic* ..G34R = LCD, 2x 8-digit, 24 VDC, 4-20 mA, 2 SPDT Contacts</p>
3.0...13	DPE-1155..	DPE-1255..	..N5.. = 3/4" NPT	
5.5...20	DPE-1160..	DPE-1260..	..N6.. = 1" NPT	
6.6...65	DPE-1165..	DPE-1265..	..N8.. = 1 1/2" NPT	
8...90	DPE-1170..	DPE-1270..	..N9.. = 2" NPT	
15...200	DPE-1175..	DPE-1275..	..NB.. = 3" NPT	
Accessory Cables				
807.037 = 4-Pin Micro-DC Connector with 6-foot Cable for Output Types F300, F390, L342, & L343 807.007 = 5-Pin Micro-DC Connector with 6-foot Cable for Output Types C3xx				

* Please specify flow direction when ordering

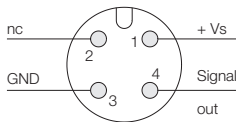
Plug-on Display for Model DPE...L442
 (2-wire, 4-20 mA Output and DIN Connector)

Description	Order Number
4-Digit LED, Connector DIN 43650, 2-wire, Supply through Analog Output	AUF-1000
As Above with Additional Open Collector Output	AUF-1001

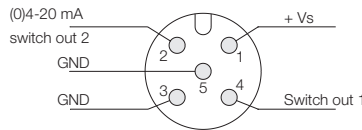


Electrical Connection

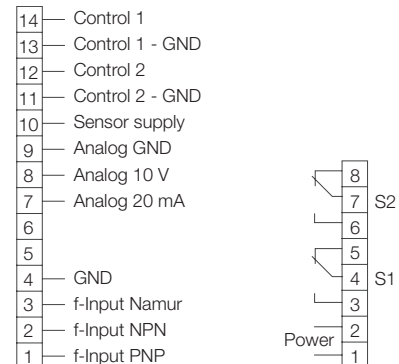
DPE-..F.., DPE-..L3.. 3-wire



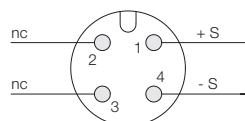
DPE-..C3..



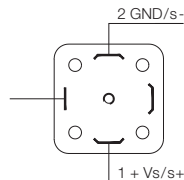
DPE-..Kx42*, ..E34R*, ..G34R*



DPE-..L342 2-wire



DPE-..L442



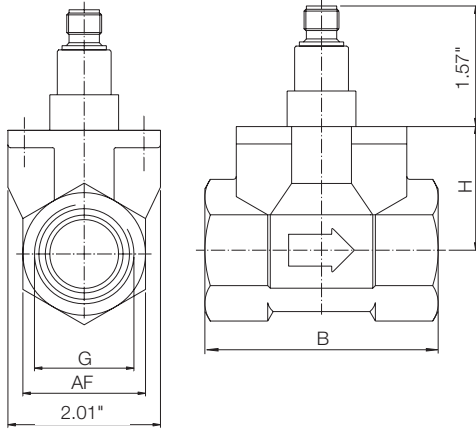
*Note: Consult model specific user manual for exact pin-out designations



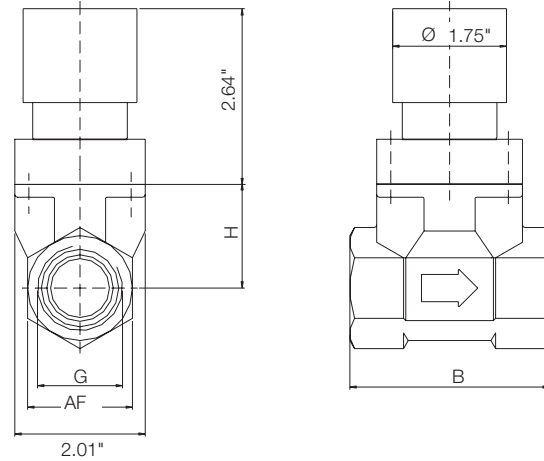
Paddle Wheel Flowmeter Model DPE

Dimensions

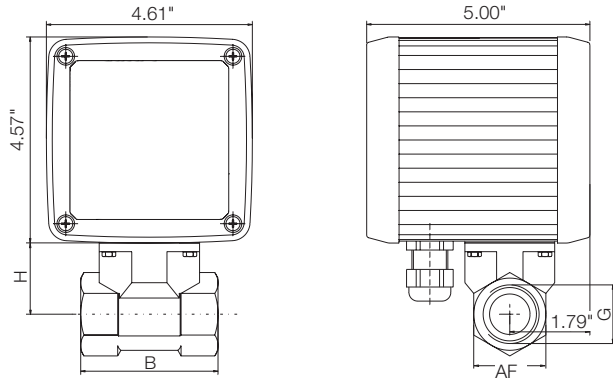
Model: DPE-..F3x0, ..L34x (with Freq. or Analog Output)



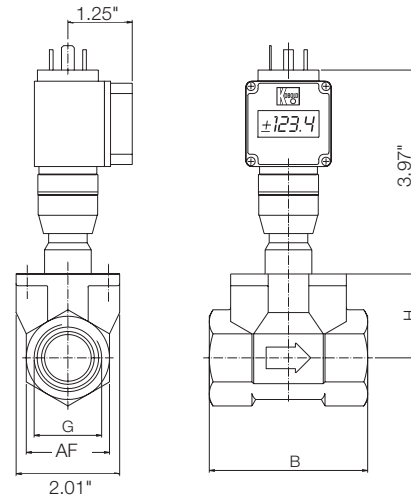
Model: DPE-..C3xx (with Compact Electronics)



Model: DPE-..Kx42, ..E34R, ..G34R
(with ADI-1 or ZED Evaluating Electronic)



Model: DPE-..L442
(with Analog Output & Optional Plug-on Display)



G	AF	B	H
1/2" NPT	1.06"	3.07"	1.57"
3/4" NPT	1.61"	3.07"	1.65"
1" NPT	1.61"	3.07"	1.65"
1-1/2" NPT	2.17"	3.07"	2.24"
2" NPT	2.76"	3.19"	2.28"
3" NPT	3.97"	4.17"	2.95"

Weights

Sensor		Electronics	
Model	Weight	Model	Weight
1/2"	approx. 1.66 lbs	Frequency Output	0.28 lbs
3/4"	approx. 2.32 lbs	Analog Output	0.28 lbs
1"	approx. 1.99 lbs	Compact Electronic	approx. 1.43 lbs
2"	approx. 3.31 lbs	ADI-1 Electronics	3.09 lbs
3"	approx. 6.62 lbs	ZED Electronics	3.09 lbs