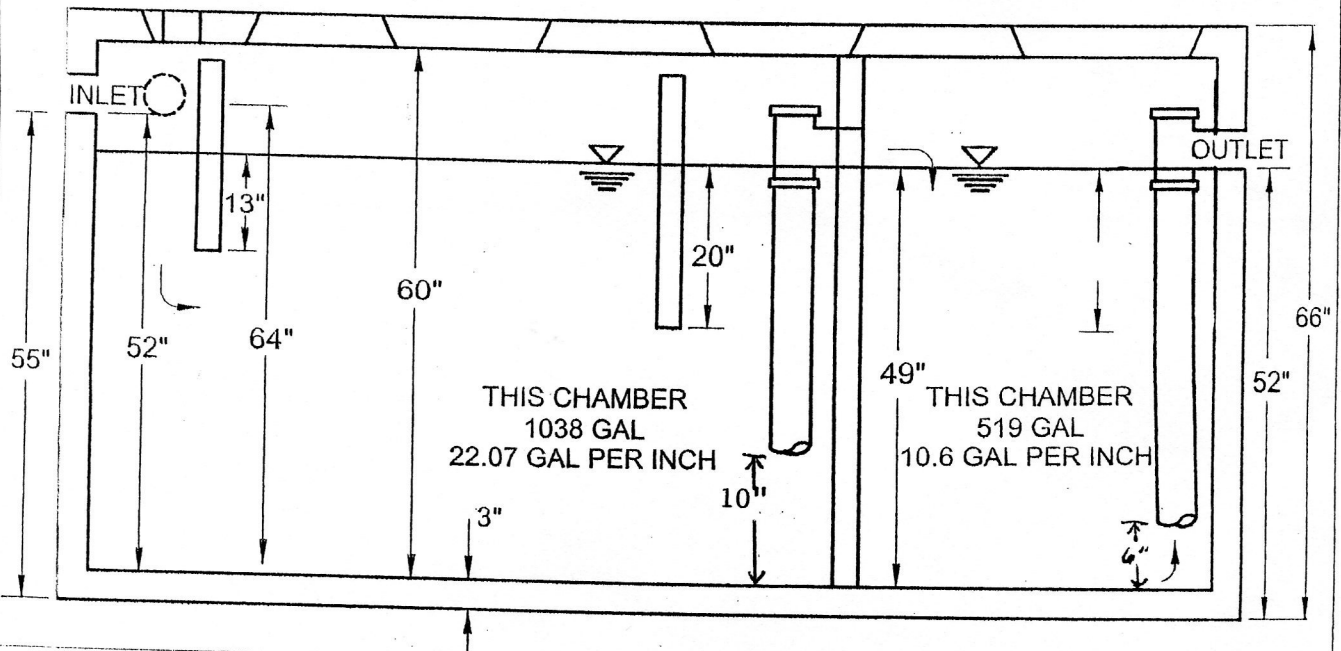


BAFFLE - CAST IN PLACE
 PIPE SEALS - HIGH PRESSURE BOOT
 TANK SEAL - FEDERAL SPEC. ASTM C990
 CONCRETE - STEEL REINFORCED
 - 28 DAY 6100 PSI



THIS CHAMBER
 1038 GAL
 22.07 GAL PER INCH

THIS CHAMBER
 519 GAL
 10.6 GAL PER INCH

Concrete 1500 gal. Grit/Oil and Water Separator



Lycoming, A division of Lycoming Burial Vault Co., Inc.

350 Spruce Street Montoursville, PA 17754

Phone: (570) 368-8642 Toll Free: (800) 640-0052 Fax: (570) 368-2299

Drawn by: Wents & Webster Engineering 11/21/08