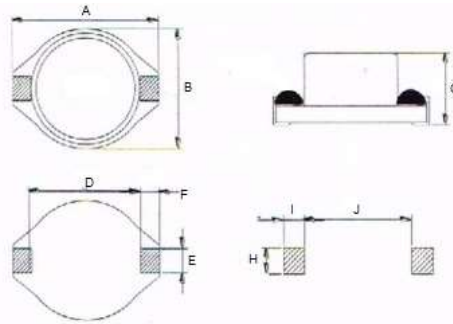


## Surface Mount Shielded Inductor WO60S-LF

WO60S-LF



Dimensions

Unit mm

A max.	B max.	C max.	D	E	F	H	I	J
18.54	15.24	7.62	12.70	2.54	2.54	2.79	3.00	12.45

Wilco Part Number	Inductance uH	Tolerance %	DCR Max Ohms	SRF (nom) Mhz	Rated Current (mA)
WO60S-100M-LF	10	20%	0.040	30	3.9
WO60S-150M-LF	15	20%	0.048	20	3.4
WO60S-220M-LF	22	20%	0.059	18	3.1
WO60S-330M-LF	33	20%	0.075	14	2.8
WO60S-470M-LF	47	20%	0.097	10	2.4
WO60S-680M-LF	68	20%	0.138	9	2.0
WO60S-101M-LF	100	20%	0.207	7	1.7
WO60S-151M-LF	150	20%	0.293	6	1.3
WO60S-221M-LF	220	20%	0.47	5	1.1
WO60S-331M-LF	330	20%	0.78	4	0.86
WO60S-471M-LF	470	20%	1.08	3	0.73
WO60S-681M-LF	680	20%	1.4	2.5	0.64
WO60S-102M-LF	1000	20%	2.01	2	0.53

### Features:

- Small size allows for high mounting density, magnetically shielded against radiation
- Suitable for Re-flow Solder
- Large DC current capability with low DC resistance
- Embossed carrier tape
- Suitable for pick and place automation

### Applications:

- Telecommunications
- Ideal for handheld devices
- DC/DC converters
- Computers
- Filters

### Notes:

- Operating Temperature Range: -40 C to 85 C
- Test Frequency: (L) @ 100 Khz 0.1 Vrms  
Electrical Specs: 25 C
- Temperature Rise: 30 C  
Packaging: 250 per reel