

Operating Instructions for Electromagnetic Flowmeter

Model: MIS



We don't accept warranty and liability claims neither upon this publication nor in case of improper treatment of the described products.

The document may contain technical inaccuracies and typographical errors. The content will be revised on a regular basis. These changes will be implemented in later versions. The described products can be improved and changed at any time without prior notice.

© **Copyright**

All rights reserved.

1. Contents

1. Contents.....	3
2. Note	5
2.1 Overview of the device functionality.....	5
3. Instrument Inspection	6
4. Regulation Use	6
5. Environment.....	6
6. Operating principle.....	7
6.1 General.....	7
6.2 Minimum electrical conductivity / Gas bubbles	7
6.3 Deposits.....	7
6.4 Measuring electrodes	7
7. Mechanical connection	8
7.1 Receipt of goods and transport	8
7.2 Installation requirements	9
7.3 Installation	10
8. Electrical Connection	18
8.1 General.....	18
8.2 Pin assignment.....	18
8.3 Connection example outputs:.....	19
9. Operation and menu structure	20
9.1 General.....	20
9.2 Measuring mode.....	21
9.3 Menu Mode	24
10. Device configuration	26
10.1 Sequence of device parameterization.....	26
10.2 Language.....	26
10.3 Display.....	27
10.4 Measurement	29
10.5 Dosing function.....	33
10.6 Outputs	33
10.7 User service	44
10.8 Service / Factory service	45
10.9 Info.....	45
10.10 Device default settings	46
11. Status.....	47
12. Dosing function	48
13. IO-Link function.....	52
13.1 Specification	52
14. Technical Information	53
15. Order Codes	55
16. Dimensions	56
17. Annex.....	57
17.1 IO-Link process data structure	57
17.2 IO-Link diagnostic information.....	58
17.3 IO-Link device-specific system commands.....	59
17.4 IO-Link ISDU Parameter table	60

18. Manufacturer's Declaration	71
19. EU Declaration of Conformance	72

Manufactured and sold by:

KOBOLD Instruments Inc.
1801 Parkway View Drive
Pittsburgh PA 15205-1422
Tel.: 412-788-2830
Fax: 412-788-4890
E-Mail: info.@koboldusa.com
Internet: <http://koboldusa.com>

2. Note

Please read these operating instructions before unpacking and putting the unit into operation. Follow the instructions precisely as described herein.

The devices are only to be used, maintained and serviced by persons familiar with these operating instructions and in accordance with local regulations applying to Health & Safety and prevention of accidents.

When used in machines, the measuring unit should be used only when the machines fulfil the EC-machine guidelines.

As per PED 2014/68/EU

In acc. with Article 4 Paragraph (3), "Sound Engineering Practice", of the PED 2014/68/EU no CE mark.

2.1 Overview of the device functionality



Depending on the installed device firmware, the MIS device may have different functionalities. The functional extensions are shown in the following table.

Function extension	Available from firmware version
Dosing function	REV180118
Menu languages Simulation function User function keys Analogue output 2-10 V _{DC} Analogue output behavior acc. to NAMUR NE43	REV180514
IO-Link Control input	REV190320

The installed software version is displayed after starting the device below the manufacturer logo in the form REVxxxxxx for approx. 2 sec.

3. Instrument Inspection

Instruments are inspected before shipping and sent out in perfect condition. Should damage to a device be visible, we recommend a thorough inspection of the delivery packaging. In case of damage, please inform your parcel service / forwarding agent immediately, since they are responsible for damages during transit.

Scope of delivery:

The standard delivery includes:

- Electromagnetic Flowmeter Model: MIS
- Operating Instructions

4. Regulation Use

The MIS flowmeter has been specially developed for the measurement, display, and transmission of both flow rates and temperature of conductive liquids. The instrument has a graphic TFT display, rotatable in 90 ° steps and can display flow rate, temperature, daily volume counter (resettable) and total volume counter in the units of measurement selected by the operator. A clear menu guides the user through the parameterization of the device, which largely eliminates the need to look into the operating instructions.

Any use of the magnetic flowmeter, model: MIS, which exceeds the manufacturer's specification, may invalidate its warranty. Therefore, any resulting damage is not the responsibility of the manufacturer. The user assumes all risk for such usage.

5. Environment

The MIS device with stainless steel housing and stainless steel electrodes is weatherproof and conforms to protection class IP67. The meter is designed for harsh indoor or outdoor environments and complies with Directive 2014/30/EU (Electromagnetic Compatibility).

6. Operating principle

6.1 General

The KOBOLD MIS Flowmeter is designed to measure and monitor small and medium flows of conductive fluids in piping.

The device works on the magnetic-inductive measuring principle. According to Faraday's law of induction, a voltage is induced in a conductor moving in a magnetic field. The electrically conductive measuring medium corresponds to the moving conductor in the process. The voltage induced by the measuring medium is proportional to the flow rate and thus a measure of the volume throughput. Prerequisite is a minimum electrical conductivity of the flowing medium. The induced voltage is fed to a measuring amplifier via two electrodes, which are in conductive contact with the medium. The volume flow is calculated via the defined pipe diameter.

The measurement is independent of the medium and its physical properties such as density, viscosity, and temperature. The device can be configured via the display. There are two outputs available, which can each be configured as alarm, frequency, pulse, voltage, or current outputs.

The device also provides a dosing function. The dosing function can be activated in measuring mode via the four buttons. The dosing function controls simple filling tasks and also measures flow rate and partial amount.

6.2 Minimum electrical conductivity / Gas bubbles

For the correct function of the instrument, it is necessary that the flow channel is always completely filled with medium. From a minimum electrical conductivity of 20 $\mu\text{S} / \text{cm}$, the MIS operates within the specified error limits. The conductivity of the medium is constantly monitored by the device electronics. If the electronics detects that the minimum conductivity has fallen below min. value, this is signaled by displaying the error message 'Empty pipe' and the flow rate reading is set to '0'. Air bubbles in the flowing medium or media with varying conductivity in the range of the minimum conductivity can disturb the measuring function and reduce the measuring accuracy of the MIS. Gases contained in the liquid are also measured as a flow volume and lead to measurement errors. If necessary, install appropriate vents in the flow of the unit.

6.3 Deposits

Minor deposits on the measuring tube generally do not affect the measuring accuracy unless their conductivity deviates significantly from the liquid. For liquids that have a tendency to deposit, periodically inspect the meter tube and, if necessary, clean it.

6.4 Measuring electrodes

The MIS uses electrodes with galvanic tapping. They are in direct contact with the medium. The standard electrodes are made of Hastelloy.

7. Mechanical connection

7.1 Receipt of goods and transport

7.1.1 Receipt of goods

- Check the packaging and contents for damage.
- Inspect the supplied goods to ensure complete delivery and compare the consignment with your order specifications.

7.1.2 Transport

Please observe the following tips when unpacking your device, or transporting it to its measuring point:

- If possible, the devices should be forwarded in the packaging in which they were delivered.
- Do not remove any protection disks or caps from the process connections. This is particularly important in the case of sensors with a PTFE flow tube lining. The protection caps should only be removed immediately before installation of the device in the pipe.
- Never lift the devices by the mounted transmitter housing or terminal box for transport. When transporting heavy devices, use slings. Place these around both process connections. Do not use chains as these can damage the surface coating and the housing.
- When transporting devices without lugs, and when looping the slings around the flow tube, the center of gravity of the entire device can be higher than both attachment points of the slings. When transporting the device ensure that it does not rotate or slip accidentally. This could cause injury.
- Sensors with a nominal size of more than DN 150 should not be lifted by the sheet metal of the shell with a forklift truck. This could dent the sheet metal of the shell and damage the internal solenoid coils. There is also the risk that the device could roll off the forks.
- If the sensor is provided with PTFE lining, then, upon delivery, the sensor is mounted with two wooden discs, to hold the lining in position during transport and storage. These wooden discs should remain on the sensor until installed. Without the discs, the liner creeps back to its original shape and installation is more difficult to do. The sensor should be left for at most a few hours without the discs. Remove the discs immediately before installation.

7.2 Installation requirements

The installation location in the pipe must be selected so that the sensor is always fully filled with the fluid and cannot run empty. This can best be guaranteed if it is installed in an ascending pipe or drain.

The measuring principle is generally independent of the flow profile of the fluid provided no standing vortices reach into the area of measurement, such as from elbows or half-open sliding valves upstream from the sensor. In these cases, measures must be taken to normalize the flow profile. Practical experience has shown that in most cases a straight **inlet section of $\geq 5 \times \text{DN}$** and an **outlet section of $\geq 2 \times \text{DN}$** of the nominal sizes of the sensor is sufficient. The occurrence of strong electromagnetic fields in the vicinity of the installed sensor must be avoided.

For the implementation of forward and backward flow measurements, both sides of the sensor must be provided with a straight pipe section with the nominal sizes of the sensor and a length of 5 DN of the nominal sizes of the sensor. It is advisable to install actuators, such as regulating or shut-off devices, downstream from the sensor. The forward flow direction is marked on the sensor with an arrow. When mounting sensors, always observe the specified screw torques.

After the installation of the sensor and the electrical connections between the sensor and the transmitter has been made, the system can be taken into operation. To prevent measuring errors caused by gas pockets in the fluid and damage to the lining of the sensor caused by negative pressure, the following points must be observed:

7.2.1 Bypass pipes

To allow for a problem-free dismount, emptying and cleaning of the sensor, a bypass pipe may be installed. The bypass with a blind flange permits the pipe to be cleaned without having to dismount the flowmeter. This is recommended for highly soiled liquids.

7.2.2 Sensor tube lining

If the flow tube is lined with PTFE, the flowmeter must be installed with special care. The tube lining is bordered at the flanges (seal). This must not be damaged or removed as it prevents the fluid from penetrating between the flange and flow tube destroying the electrode insulation.

7.3 Installation

Screws, bolts, nuts and seals are not in the scope of delivery and must therefore be provided by the operator. The sensor is to be installed between the pipes. Please observe the required torques stated Section "Torques for screws and bolts". The installation of additional grounding rings is described in Section "Grounding – potential equalization". Use for the flanges only gaskets in accordance with DIN EN 1514-1. Mounted gaskets must not reach into the pipe cross-section.

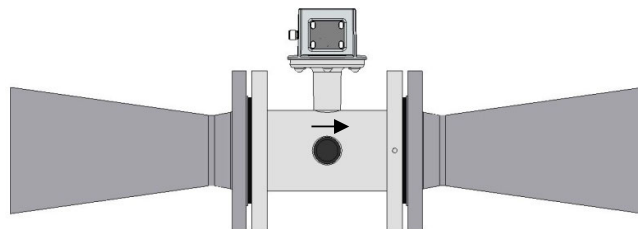


Caution!

Do not use conductive sealing compounds such as graphite. This could result in a conductive layer building up on the inside of the flow tube, short-circuiting the measuring signal.

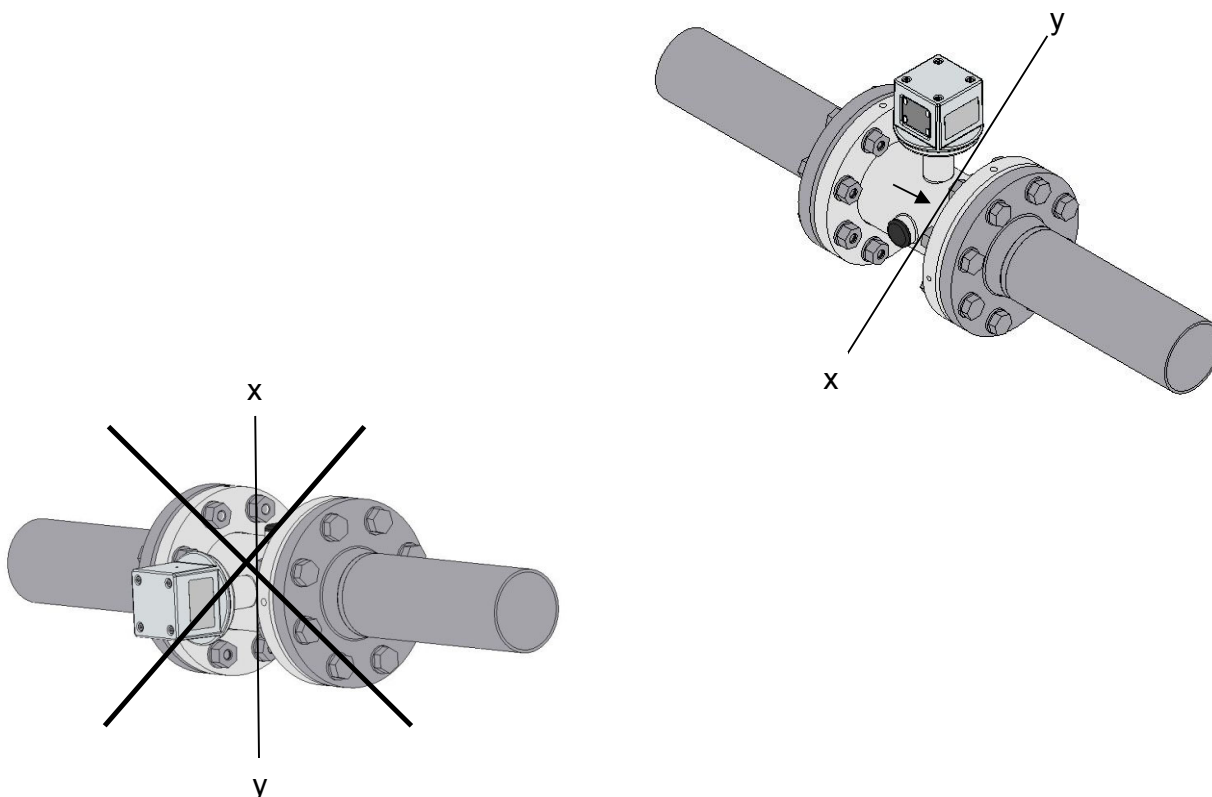
7.3.1 Installation in pipelines with larger nominal sizes

The flowmeter can also be installed in pipes with larger nominal sizes by using pipe tapers (e.g. flange transition pieces in accordance with DIN EN 545). However, the resulting pressure loss must be taken into consideration. To avoid flow interruptions in the flow tube, a reducing angle of 8° for the tapers should be exceeded.



7.3.2 Horizontal or vertical Installation

The installed position of the flowmeter is arbitrary; however, the intended x-y electrode axis should run approximately horizontal. A vertical Electrode axis should be avoided, since gas pockets or solid particles carried along in the fluid could affect the accuracy of the device.

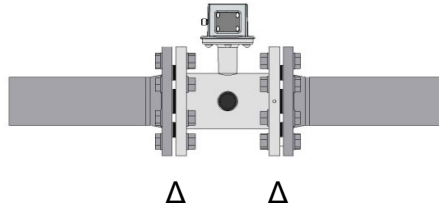


7.3.3 Installation examples

To avoid measuring errors evoked by gas pockets or lining damage caused by negative pressure, the following points must be observed:

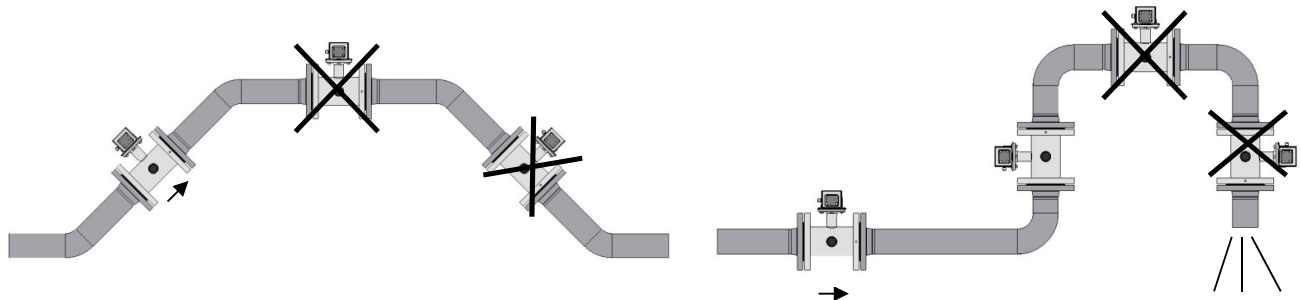
Vibrations

To eliminate the effects of vibrations and prevent premature damage to the transmitter, the sensor shall be supported in the near vicinity of the flanges.



Horizontal pipeline routing

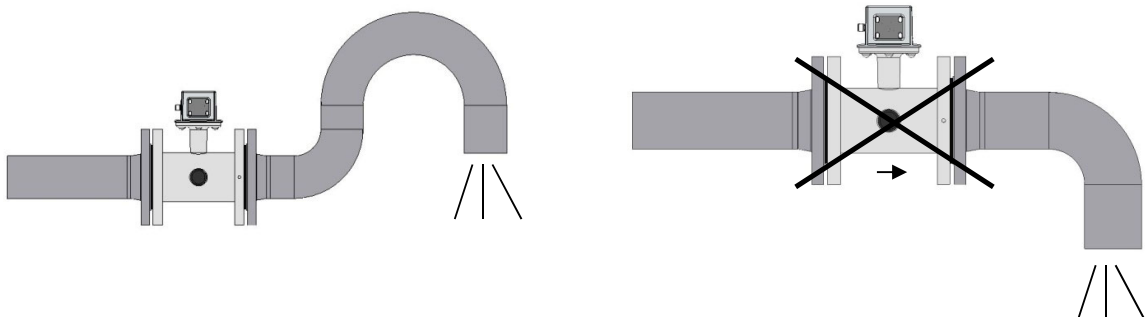
Install preferably in slightly ascending pipes.



Open inlet or outlet

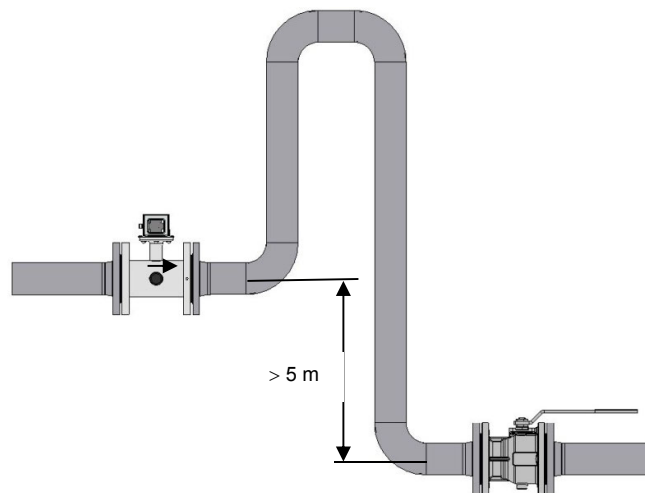
Where possible, the device should be installed in a syphon. The empty pipe detection circuit of the transmitter is an additional safety feature for recognizing empty or partially filled pipes.

Caution! There is the danger of accumulation of solids in the syphon. The installation of a cleaning aperture in the pipe is therefore advisable.



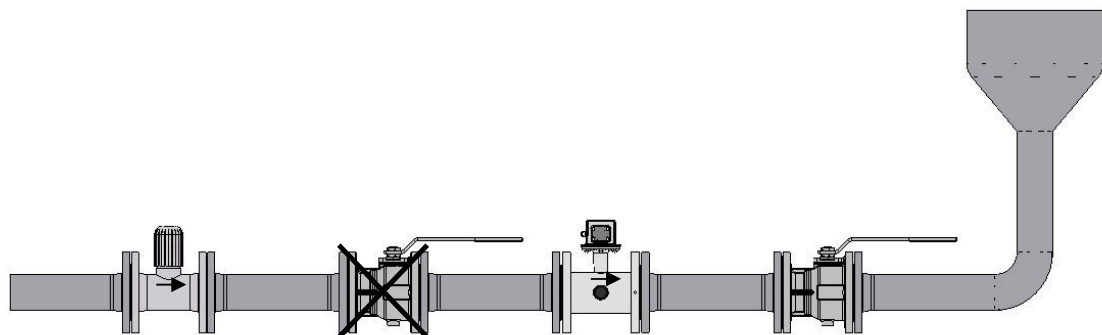
Down pipes

Where down pipes are to be found in the pipe system, a syphon or a ventilation valve should be placed after the sensor. By these means, negative pressure can be avoided in the pipeline, which may otherwise damage the sensor lining. This measure will also prevent a breakdown of the flow reducing the risk of air inclusions in the measurement medium.



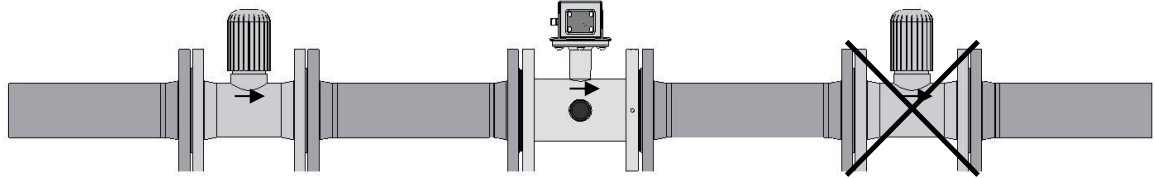
Long pipelines

In long pipelines there is always a danger of pressure surges. Therefore, regulating and shut-off devices should be placed behind the sensor. However, when installed in vertical piping, especially when using sensors with PTFE-lining and high operating temperatures, the regulating and shut-off devices should be placed in front of the sensor (danger of vacuum).



Installation of pumps

To avoid negative pressure and eventual damage to the tube lining, never install flowmeters on the suction side of pumps.



If necessary, arrange for pulsation dampeners when using piston, diaphragm or hose pumps.

Consider the space requirements beforehand with respect to a potential removal of the device.

7.3.4 Grounding – potential equalisation

The sound grounding concept of the flowmeter is a necessity for both safety reasons as well as to ensure a faultless operation. In accordance with VDE 0100 Part 410 and VDE 0100 Part 540 the grounding connections must be at protective conductor potential. **For metrological reasons, this potential must be identical to the potential of the liquid.** The grounding cable should not transmit any interference voltage. For this reason, do not simultaneously ground other electrical devices with this cable.

The measuring signal tapped at the electrodes amounts to only a few millivolts. Correct grounding of the electromagnetic flowmeter is therefore an important prerequisite for exact measurement. The transmitter requires a reference potential to evaluate the measured voltage on the electrodes. In the simplest case the non-insulated metal pipe and/or the connecting flange may be used as a reference potential.

Where pipes are lined with electrically insulating materials or pipes are made of plastic, the reference potential can be obtained from a grounding ring or grounding electrode. These establish the necessary conductive connection to the liquid and are made of a chemical-resistant material. The material used should be identical to that of the measuring electrodes

7.3.5 Grounding with grounding electrodes

The device can be optionally equipped with grounding electrodes. With plastic pipes this version is the easiest grounding method. As the surface of the grounding electrode is relatively small, the use of grounding rings on both sides of the sensor is preferable in systems in which high equalizing currents along the pipeline can be expected to occur.

7.3.6 Grounding with grounding rings

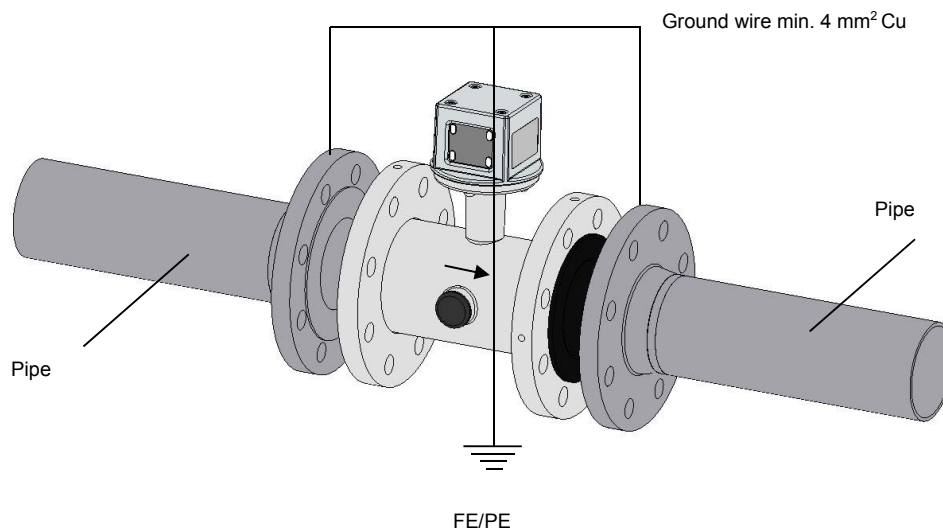
The outside diameter of the grounding ring should be at least equal to the diameter of the flange or be dimensioned in such a way that the grounding ring is positioned inside the flange bolts and is centered by these. The terminal lugs routed to the outside must be connected to the FE terminal in the junction box of the sensor. During installation ensure that the inner diameter of the seals do not protrude over the grounding disk!

The grounding cables are not included in the scope of your delivery and must be provided by the plant operator.

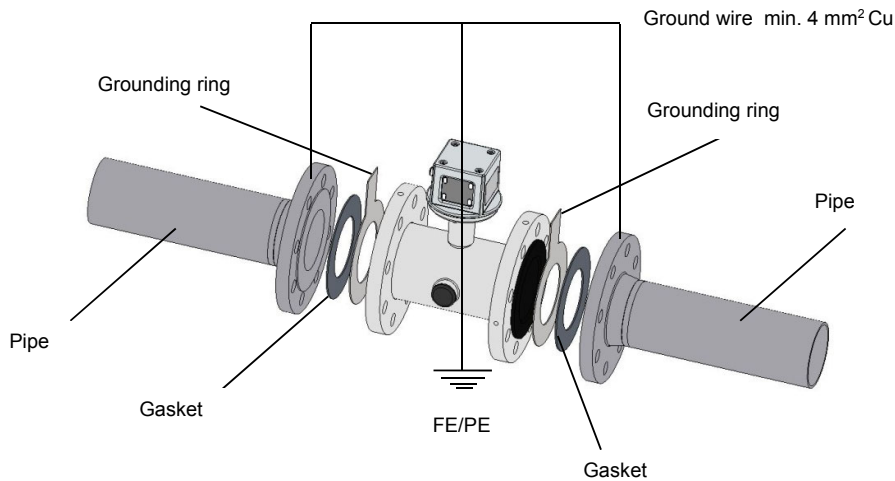
The grounding rings can be ordered as accessories.

7.3.6.1 Examples of grounding the MIS

7.3.6.1.1 Metal piping electrically conductive



7.3.6.1.2 Plastic piping, or internally coated metal piping



7.3.6.1.3 Cathodic piping protection

Special care must be taken with cathodic protection pipelines.

For compact installation:

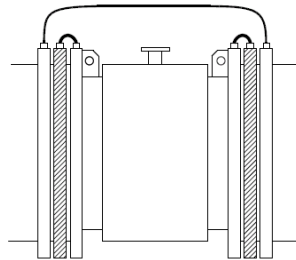
The transmitter must be powered by an isolation transformer. The connection "PE" must never be connected.

With separate installation:

The shield must be connected to the sensor end via a 1.5 μF capacitor. The shield must never be connected to both ends.

For isolated installation:

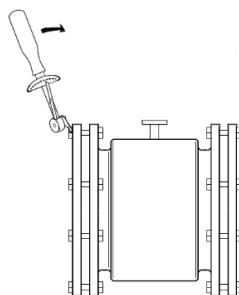
If the above connections are unacceptable, isolate the sensor from the piping.



7.3.7 Torques for screws and bolts

Due to the fact that the flow pipe lining is made of plastic or vulcanized materials such as hard rubber or PTFE, electromagnetic flowmeters must be installed in pipe system with special care since these materials are malleable under pressure. If the flange screws are overtightened, the sealing surface will deform. If the seals are to function properly, the correct torque is highly important.

Tighten the screws crosswise so that the process connections are tight. When tightening the screws for the first time approx. 50 percent of the required torque should be reached, for the second time the torque should be 80 percent. The required torque should reach 100 percent when the screws are tightened for the third time. For higher torques it is advisable to use protectors.



The maximum permissible torques can be obtained from the following table

mm	inch	NBR					Ebonite / soft rubber				PTFE					DN2 + DN3 zirconium; DN6									
		PN10	PN16	PN40	Class 150	AWWA	PN10	PN16	PN40	PN6	PN10	PN16	PN25	PN40	Nm	f/lbs									
		Nm	f/lbs	Nm	f/lbs	Nm	f/lbs	Nm	f/lbs	Nm	f/lbs	Nm	f/lbs	Nm	f/lbs	Nm	f/lbs								
2	-	-	-	-	-	-	-	-	-	-	-	-	-	-	-	-	-	13	10						
3	-	-	-	-	-	-	-	-	-	-	-	-	-	-	-	-	-	13	10						
6	-	-	-	-	-	-	-	-	-	-	-	-	-	-	-	-	-	13	10						
10	-	-	-	-	-	-	-	-	-	-	-	-	-	-	-	-	-	13	10						
15	½"	-	-	-	-	-	-	-	-	-	-	-	-	-	-	-	10	7	16	12					
25	1"	-	-	-	10	7	7	5	-	-	-	-	16	12	-	-	-	16	12	30	22				
40	1½"	-	-	-	16	12	9	7	-	-	-	-	34	25	-	-	-	34	25	54	40				
50	2"	-	-	25	18	-	25	18	-	-	-	-	46	34	-	-	-	46	34	90	66				
65	2½"	-	-	25	18	-	25	18	-	-	-	25	18	-	10	7	-	25	18	34	25	90	66		
80	3"	-	-	25	18	-	34	25	-	-	-	25	18	-	25	18	-	25	18	42	31	90	66		
100	4"	-	-	25	18	-	26	19	-	-	-	25	18	-	25	18	-	25	18	72	53	115	84		
125	5"	-	-	29	21	-	42	31	-	-	-	32	24	-	25	18	-	32	24	114	84	-	-		
150	6"	-	-	50	37	-	57	42	-	-	-	50	37	-	25	18	-	50	37	144	106	-	-		
200	8"	50	37	50	37	-	88	65	-	50	37	52	38	-	25	18	50	37	52	38	105	77	185	137	
250	10"	50	37	82	61	-	99	73	-	50	37	88	65	-	25	18	50	37	88	65	160	118	300	221	
300	12"	57	42	111	82	-	132	97	-	62	46	117	86	-	50	37	62	46	117	86	170	125	320	236	
350	14"	60	44	120	89	-	225	166	-	60	44	120	89	-	50	37	60	44	120	89	240	177	450	332	
400	16"	88	65	170	125	-	210	155	-	88	65	170	125	-	50	37	88	65	170	125	330	244	650	480	
450	18"	92	68	170	125	-	220	162	-	92	68	170	125	-	56	41	92	68	170	125	320	236	570	421	
500	20"	103	76	230	170	-	200	148	-	103	76	230	170	-	53	39	103	76	230	170	390	288	740	546	
600	24"	161	119	350	258	-	280	207	-	161	119	350	258	-	81	60	161	119	350	258	560	413	122	900	
700	28"	200	148	304	224	-	-	-	-	200	148	304	224	-	-	-	-	-	-	-	-	-	-	-	-
750	30"	-	-	-	-	-	-	-	-	240	177	-	-	-	-	-	-	-	-	-	-	-	-	-	-
800	32"	274	202	386	285	-	-	-	-	260	192	274	202	386	285	-	-	-	-	-	-	-	-	-	-
900	36"	288	213	408	301	-	-	-	-	240	177	288	213	408	301	-	-	-	-	-	-	-	-	-	-
1000	40"	382	282	546	403	-	-	-	-	280	207	382	282	546	403	-	-	-	-	-	-	-	-	-	-
	42"	-	-	-	-	-	-	-	-	280	207	-	-	-	-	-	-	-	-	-	-	-	-	-	-
	44"	-	-	-	-	-	-	-	-	290	214	-	-	-	-	-	-	-	-	-	-	-	-	-	-
1100	44"	-	-	-	-	-	-	-	-	290	214	-	-	-	-	-	-	-	-	-	-	-	-	-	-
1200	48"	395	292	731	539	-	-	-	-	310	229	395	292	731	539	-	-	-	-	-	-	-	-	-	-

Torque - calculation:

- 1) All bolts are new, and the material selection complies with EN 1515-1 Table 2
- 2) Sealing material of maximum 75 Shore A hardness will be used between the flow meter and the associated flanges
- 3) All bolts are galvanized and greased accordingly
- 4) The values are calculated for use with carbon steel flanges
Flow meter and associated flanges are properly aligned

8. Electrical Connection

8.1 General



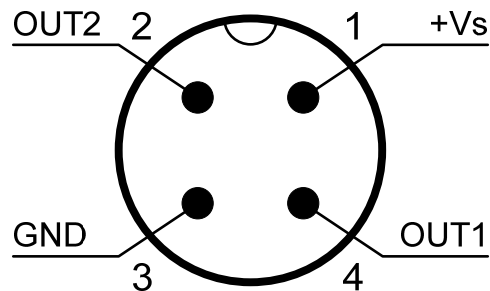
Attention! Make sure that the voltage values of your system correspond with the voltage values of the measuring unit.

- Make sure that the supply wires are de-energised.
- Connect the supply voltage and the output signal **to the plug PIN's as stated below.**
- We recommend the use of wires with cross sectional area of min. 0.25 mm².



Attention! The measuring electrodes are galvanically connected with the reference potential of the supply voltage and the signal output.

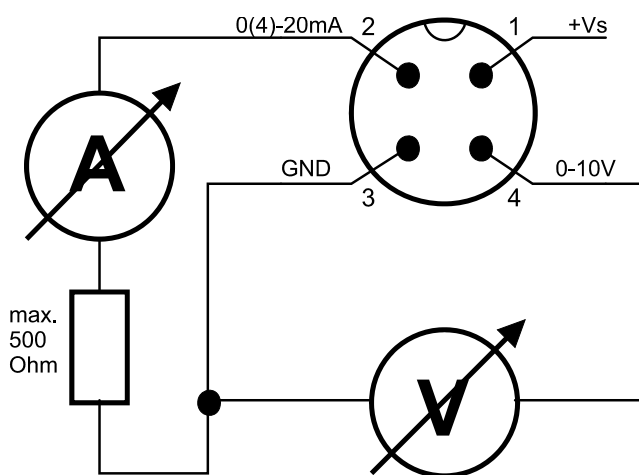
8.2 Pin assignment



8.3 Connection example outputs:

OUT2: analog output 4-20 mA

OUT1: analog output 0-10 V



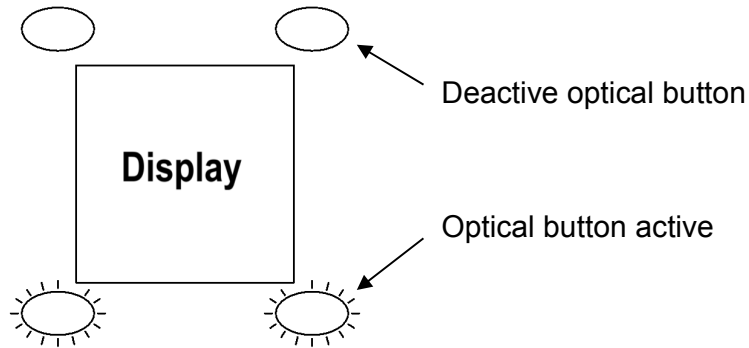
Configurable output functions:

Out 1	Out 2
analog output 4-20 mA	analog output 4-20 mA
analog output 0-20 mA	analog output 0-20 mA
analog output 2-10 V	analog output 2-10 V
analog output 0-10 V	analog output 0-10 V
alarm output	alarm output
pulse output	pulse output
frequency output	frequency output
communication mode KofiCom	
communication mode IO Link	
control input	
control input dosing function	dosing output

9. Operation and menu structure

9.1 General

9.1.1 Operation of the optical buttons



An optical button is located at each corner of the TFT display. The operability of the respective buttons is signaled by blue backlighting; therefore, non-backlit buttons are disabled and cannot be operated. To operate the keys, the finger must be placed on the key-dome and raised again. The orange background of the button symbols is briefly displayed in blue as visual feedback for a detected key press.




To avoid accidental operation in measuring mode, the operator must hold down the menu button for 3-5 seconds to activate the function. If the menu button is held down for more than 3 seconds, the blue backlighting will begin to flash to alert the user to release the button.

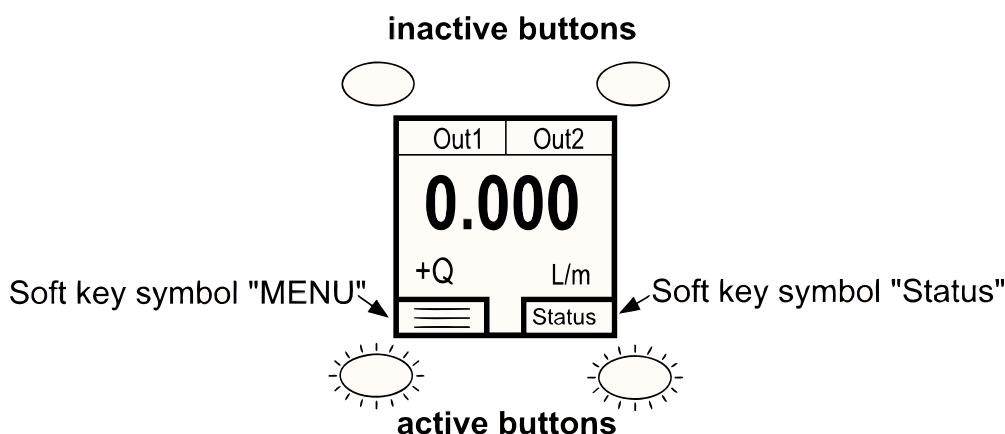
The operation of the optical buttons can also be done with gloves or other optically reflective objects, light dirt on the surface usually does not interfere with the key function.

9.1.2 Function of the control buttons

The function of each control key can be recognized by the respective symbol displayed in the corners of the TFT display.

key symbol	designation	function	
		Measuring mode	menu mode
	menu mode	Activate menu mode hold 3-5 sec.	-
	info display	opens the info menu	-
	down	-	Scroll down menu / decrease numeric value when entering numeric value

key symbol	designation	function	
		Measuring mode	menu mode
	up	-	Menu scroll up / Increase the number value for numeric value input
	forward	-	Menu level lower / forward (last menu level: Save value)
	backward	-	Menu function: menu level higher / back (last step: exit menu)

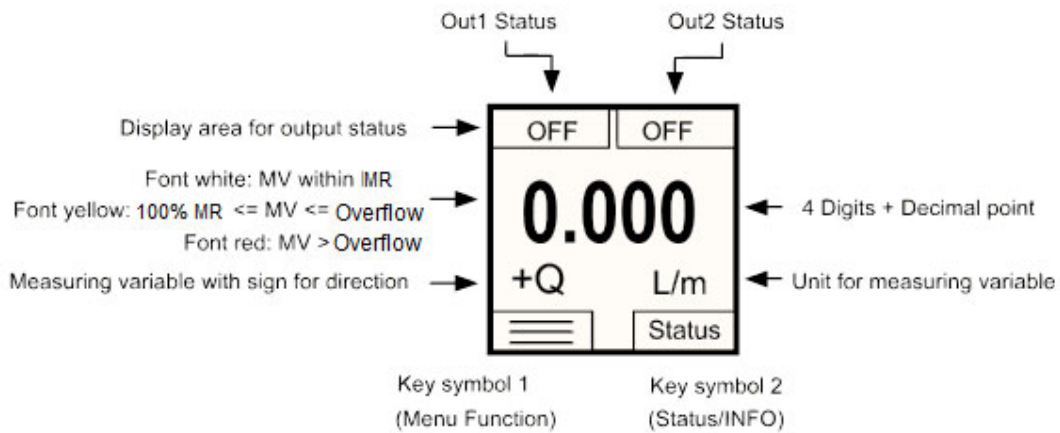


9.2 Measuring mode

After applying the supply voltage, the device starts in measuring mode. In this mode, the measured values of the respective measuring variables are continuously recorded; the current instantaneous flow values, temperature values and the volume counter readings are cyclically calculated and displayed according to the type of display.

In addition to the main display, the states and configuration of the outputs are shown in the display. If the corresponding output is configured as an alarm output, the status is also displayed with a green or red background color. If the background color is green, the set threshold value is exceeded; if it is red, the current value is still under threshold.

Measurement Mode Display Layout 'Single'



The measurement variables are represented by their corresponding symbols:

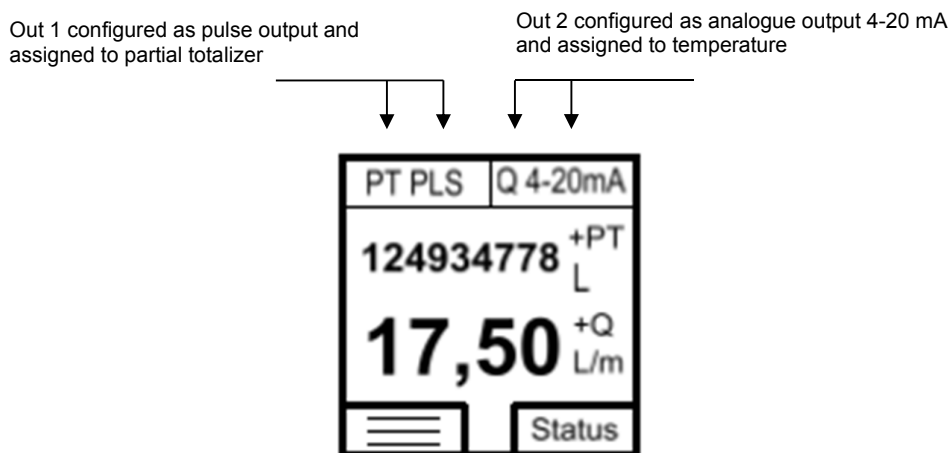
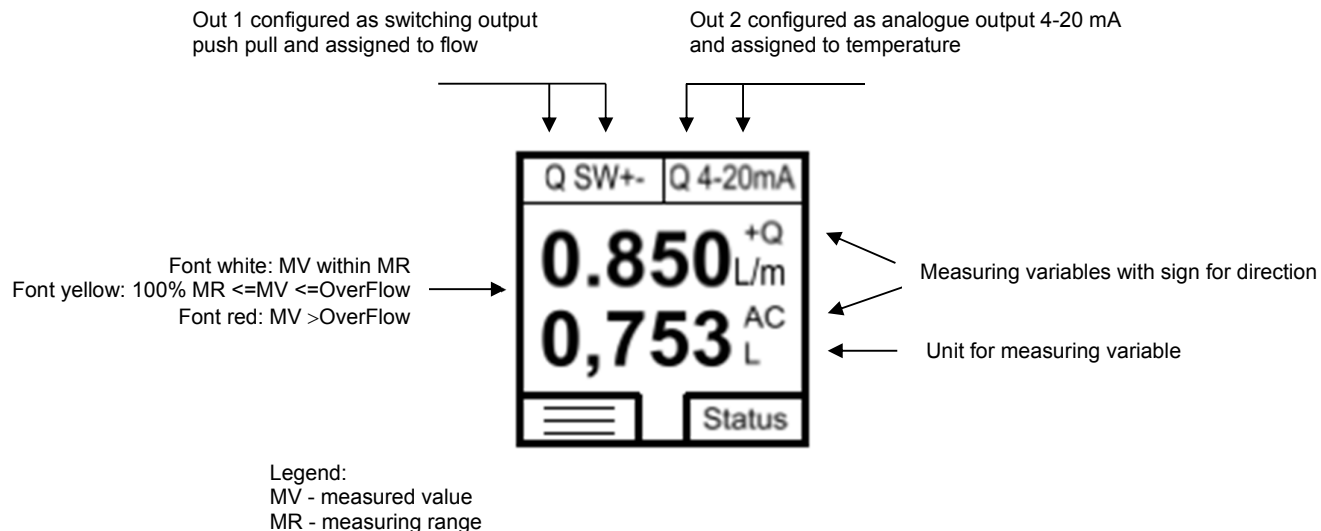
Menu entry	Mesuring variables Symbol	Description
Flow	Q	Flow rate
Volume	AC	Accumulated totalizer
Part volume	PT	Partial totalizer

The outputs and their status are shown on the display as follows:

Output function OUT1/2	Symbol	Representation
disable	OFF	
Analog output 4-20mA	4-20mA	
Analog output 0-20mA	0-20mA	
Analog output 0-10V	0-10V	
Analog output 2-10V	2-10V	
Alarm output Push Pull	SW+-	Background grey/green
Alarm output PNP	SW+	Background grey/green
Alarm output NPN	SW-	Background grey/green
Pulse output	PLS	
Frequency output	FRQ	
Communication mode KofiCom (only OUT1)	KofiCom	Use only for factory service
Communication mode IO-Link (only OUT1)	IO-Link	
Control input	X CTL	"X" symbol of the selected measuring variable

The measured variables flow and volume counter can in principle be assigned to each output function. The assignment of the respective output is indicated by the display of the symbol of the measuring variable. The representation of the assignment is independent of the set display layout (single, dual).

Measurement Mode Display Layout 'Dual'



9.2.1 Display area of the flow meters

The number of digits displayed on the volume counter display (partial and total volumetric counters) is limited to max. 8 digits. The partial and total volumetric meters therefore have a smaller font size than the flow and temperature display. If the 8-digit display range of the meter is exceeded, this is indicated by the display of 8 minus characters (-----). In this case, the meter reading can no longer be read. The user now has the option of bringing the counter reading back into the display area by changing the volume counter unit.

9.3 Menu Mode

In menu mode, all device parameters can be set. The individual parameters are arranged in menu groups by function. While the menu mode is activated, the signal processing and the outputs are still active in the background. However, all display parameters and outputs are updated after exiting the menu mode or in the measuring mode.

Note: The menu mode will exit automatically after a certain time without using the buttons, if the parameter “Menu Timeout” is set not equal to “0”.

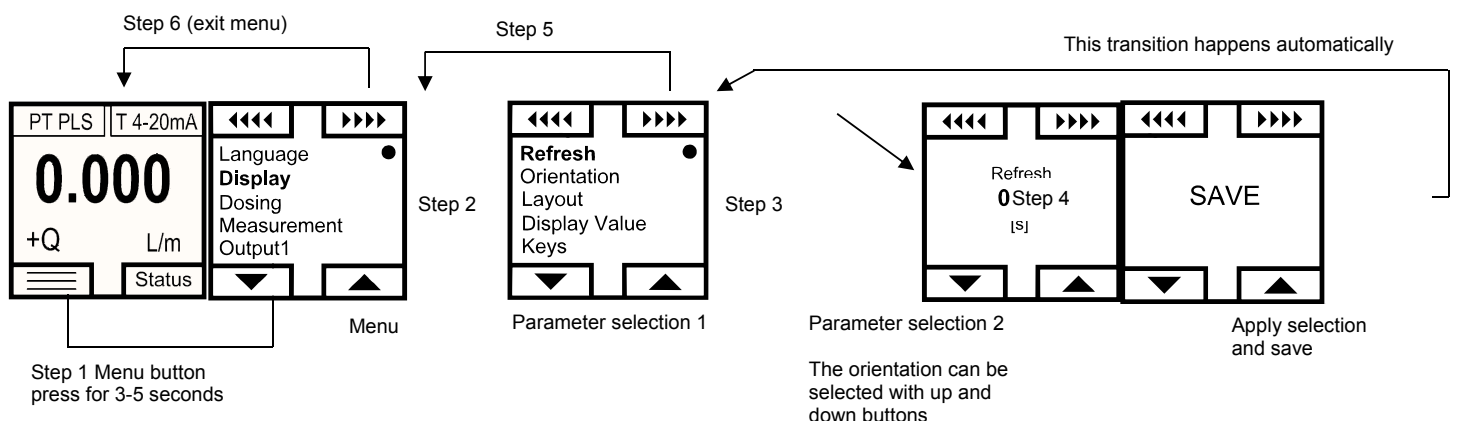
9.3.1 Parameter setting

9.3.1.1 List Selection






Parameters with predefined selection values are defined by means of list selection. The currently selected menu item is displayed in orange text. The selection can be moved with the keys, the key is used to accept the selection.

To activate the menu mode, press the button for 3-5 seconds. The parameters are divided into main groups and subgroups.

The buttons are used to select the main groups. In the main menu not all menu groups can be shown on the display at the same time, the list of individual menu items then scrolls up or down when the selection has reached the top or bottom. To choose the selection, the key is pressed and the device jumps to the corresponding submenu or parameter setting level. For selecting of predefined parameter values and are used. After changing the value of the parameter and confirming with the parameter is saved and returns to the higher menu level. To return to the main menu or to exit the menu mode, press (repeatedly).



9.3.1.2 Numerical value input

When setting parameters with a numerical value, the assigned unit is always displayed below the input field in square brackets in the input function. The maximum size and the number of decimal places are fixed and cannot be changed. After calling the input function, first the left, outer digit is displayed in orange. This position can now be adjusted either with the keys   in the value from 0 to 9. By pressing the key , the entry point moves to the right and the next digit can be changed. By pressing the key , the editing point can be moved to the left again. If the editing point is on the far right, the set value is saved by pressing the key  again and switched to the higher-level menu function.

10. Device configuration

10.1 Sequence of device parameterization

The flowmeter MIS is pre-configured in factory. Changing the parameters "Measuring range" and "Sensor constant" or "K factor" is therefore not permitted. The adjustment of these parameters is only possible on the part of Kobold-factory. In the event of subsequent changes to volume or throughput units, the dependent parameters are converted and adjusted accordingly. However, the limit parameters of the switching outputs must always be checked and adjusted manually when adjusting volume or throughput units - these are not automatically converted.

An accidental change of the parameterization can be revised by the function "Reset factory setting" in the menu Userservice / Reset.

10.2 Language

In this menu item the menu language can be changed in English, German, French or Spanish (standard: English).

Parameter table **language**

Sublevel	parameter level	Sub-parameter level 1	Sub-parameter level 2	Sub-parameter level 3	Description	Value range / value list	Standard value LPM	Standard value GPM
English					Selects English as the menu language		<i>English</i>	
Deutsch					Selects German as the menu language			
Francais					Selects French as the menu language			
Espanol					Selects Spanish as the menu language			

10.3 Display

10.3.1 Refresh

Parameter "Refresh" defines the time interval within which the measuring variables are displayed. The "Refresh rate" can be increased in steps of 0.5 sec. to 10 sec. An increase in the refresh rate time causes an increased "filtering" of the display value.

10.3.2 Orientation

With the menu item "Orientation" the display can be rotated either clockwise or counterclockwise in 90° increments. As the display rotates, both the display contents and the function of the 4 control buttons are turned.

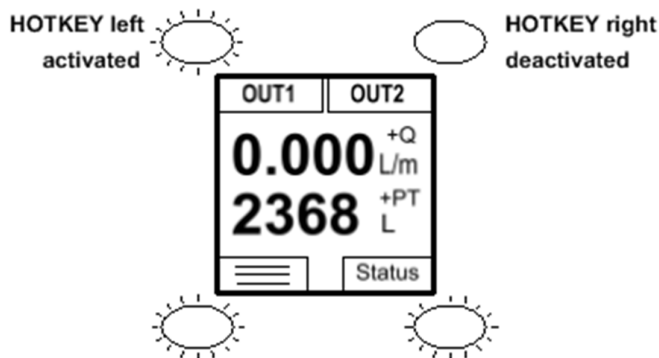
10.3.3 Layout

This parameter can be used to configure the display to either show one measurement variable or two measurement variables.

10.3.4 Display value

With the aid of this parameter, the measurement variables provided by the transmitter can be displayed. Depending on the 'Layout' display, either one or two measuring variables can be displayed.


10.3.5 Keys HOTKEYs

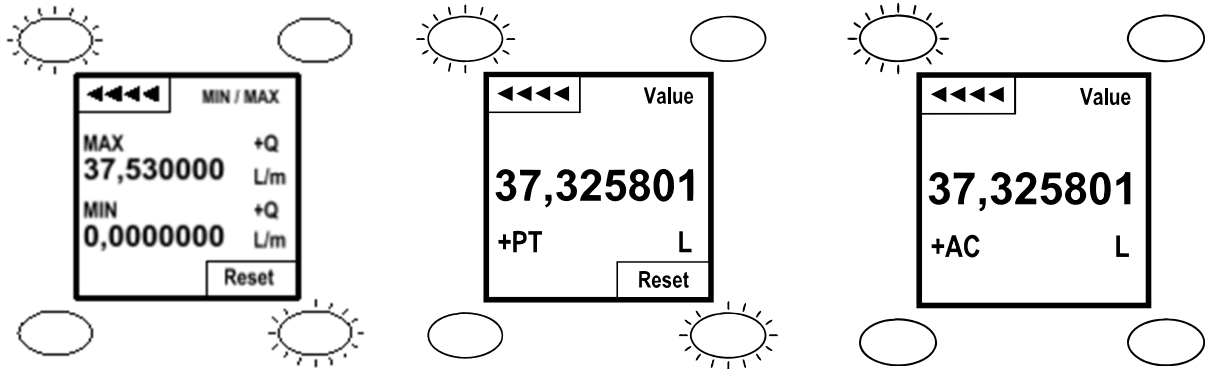


Two independent user keys are available, which can be individually assigned with different display functions. The 2 user keys are available in measurement mode top right and left. If the buttons are activated, they are backlit in blue and the programmed function can be executed by touching.

The following functions are available:

Reading	MIN / MAX / Reset	Value Display / Reset
Flow	Yes / Yes	Yes / No
Temperature	Yes / Yes	Yes / No
Partial Quantity Counter	Not available	Yes / Yes
Totalizer	Not available	Yes / No

The selected hotkey function remains permanently activated and can only be left by pressing the key . A direct reset function is available for the MIN / MAX measured value function and the partial quantity counter.



10.3.6 Key sensitivity

The sensitivity of the keys can be adjusted by setting the key sensitivity. The default setting "Low" is the optimal one when using the device with a finger. When operating with gloves, it is essential to select the "High" setting.

10.3.7 Menu Timeout

The menu timeout time defines the time after which the menu function is automatically exited without pressing a key. In the setting "0 s" this function is deactivated, and the menu function can only be left by pressing the back key several times.

Parameter table **Display**

Sublevel	Parameter level	Sub-parameter level 1	Sub-parameter level 2	Sub-parameter level 3	Description	Value range/ value list	Default value LPM	Default value GPM	
Refresh	<i>value input</i>				Sets the display refresh rate	<i>0.5-10 sec</i>	<i>0.5 sec</i>		
Orientation	<i>rotate CW</i>				Rotates the display 90° clockwise		<i>Landscape</i>		
	<i>rotate CCW</i>				Rotates the display 90° counterclockwise				
Layout	Single				Shows a measured value in the display area			<i>Double</i>	
	Double				Shows two measured value in the display area				
display value	Upper display	<i>list selection</i>			Sets the reading for the upper display	<i>Flow, volume, temperature, part volume</i>	<i>Flow</i>		
	Lower display				Sets the reading for the lower display		<i>Temperature</i>		
Keys	Hotkeys	left	<i>Flow</i>	<i>List selection</i>	Sets the reading and function for the left hotkey	<i>Off, Value, Min / Max</i>	<i>Off</i>		
			<i>Volume</i>						
			<i>Part volume</i>						
		right	<i>Flow</i>		<i>List selection</i>				Sets the reading and function for the right hotkey
	<i>Volume</i>								
<i>Part volume</i>									
sensitivity	<i>list selection</i>			Sets the sensitivity for the optical buttons	<i>Low, Medium</i>	<i>Low</i>			
Menu Timeout	<i>value input</i>				Defines the time after which the setting menu is automatically exited without pressing a key (0 = deactivated)	<i>0.5 to 60 s</i>	<i>15 s</i>		

10.4 Measurement

The Measurement menu lists the measurement variables that the transmitter provides. For magnetic inductive flowmeter, these are:

- Flow
- Volume (total volume counter)
- Part Volume

Each measurement variable is still divided into its own submenu. In the submenu, all parameters relating to the respective measuring variables can be adjusted.

10.4.1 Flow

10.4.1.1 Unit

The displayed unit for the flow measurement can be selected from various predefined standard units. It is also possible to define a user-defined unit ("user"), here the "user unit" must be in LPM (liters / min.) be programmed:

e.g. Unit User = 100 LPM, if $Q = 500$ LPM then the display shows 5 users.

10.4.1.2 Separation

The parameter Separation sets the flow rate below which the measured value is set to "0". If this function is active, the flow value "0" is shown in blue colour in the display.

10.4.1.3 Simulation mode

See section 10.4.4

10.4.2 Volume

10.4.2.1 Counter type

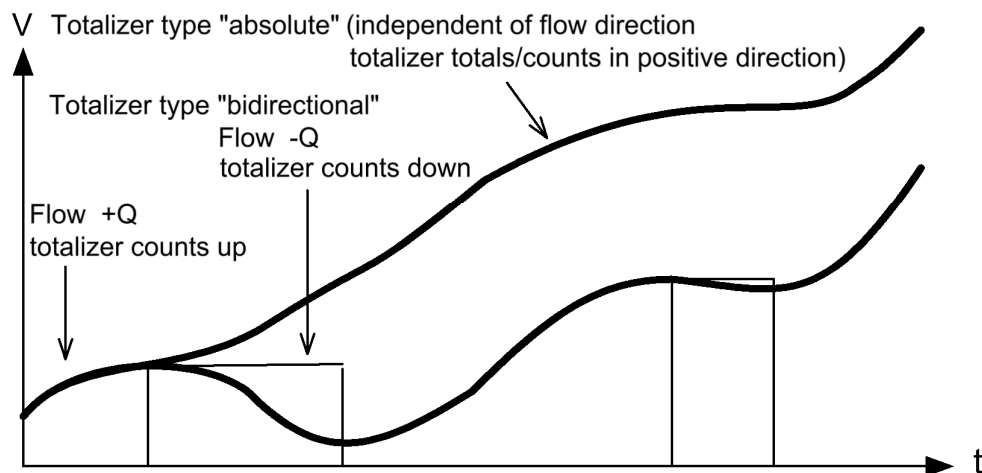
Absolute:

Regardless of the flow direction, the calculated partial volume is added to the counters.

Bidirectional:

Depending on the flow direction, the calculated partial volume is added or subtracted to the counters. If the measured flow value is negative, the volume value goes down from measurement to measurement (possibly into the negative range).

Volume measurement by different totalizer types



10.4.2.2 Unit of the total volume counter

The parameter "Unit" determines the volume unit of the total volume counter. The listed volume units are available. When changing the volume unit, the current counter reading is converted to the new volume unit.

10.4.3 Part Volume**10.4.3.1 Counter type**

Absolute:

Regardless of the flow direction, the calculated partial volume is added to the counters.

Bidirectional:

Depending on the flow direction, the calculated partial volume is added or subtracted to the counters. If the measured flow value is negative, the volume value goes down from measurement to measurement (possibly into the negative range).

10.4.3.2 Unit of the part volume counter

The parameter "unit" defines the volume unit of all volume meters. The listed volume units are available. When changing the volume unit, the current counter readings are converted to the new volume unit.

10.4.3.3 Memory reset

In this menu, the part quantity counter can be reset.

10.4.3.4 Simulation function

See section 10.4.4

10.4.4 Simulation function

With the simulation function, all available measured values can be simulated independently of each other for a limited time. The simulated measured values have full effect on the displays and outputs.

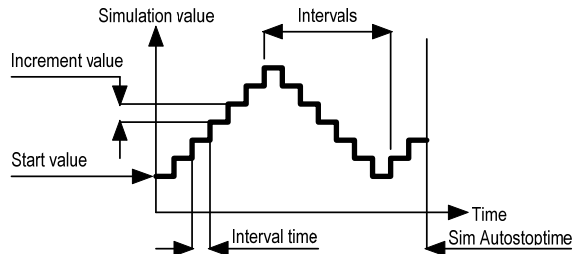
Each simulation started is automatically stopped after the time set in the "Sim Auto Stop Time" (user service) parameter (1 to 30 min) or after the programmed intervals have expired.

The following measured values can be simulated:

Volume flow, temperature and part quantity counter

The simulation starts as soon as the simulation is activated, and the setting menu is exited. The simulation is interrupted or stopped if the setting menu is called up. There are 3 different simulation types available for each purpose:

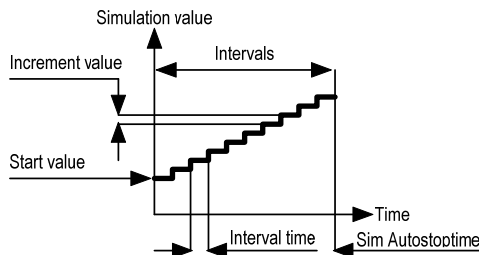
a.) „Triangle“ mode



In "Triangle" mode, the simulation value increases continuously in the increment of the parameter "Increment value" and in the interval "Interval time" with the "Start value". After the amount of the parameter "intervals", the simulation value decreases again in the same way, in order to increase again. This process is repeated continuously until the set time "Sim Auto

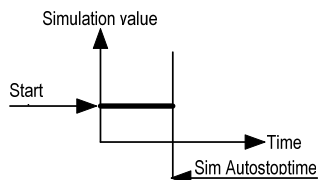
Stop Time" has expired and the simulation ends.

b.) "Monotonic" mode

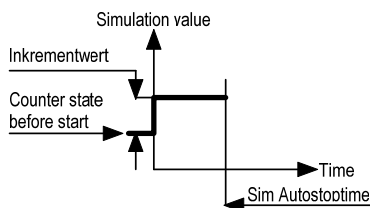


In "Monotonic" mode, the simulation value increases continuously in the step size of the parameter "Increment value" and in the interval "Interval time" with the "Start value". After the amount of "Intervals" or the expiration of "Sim Auto Stop Time", the simulation ends.

c.) "Static" mode



In the "Static" mode, a constant value is output for the measured values flow and temperature. The simulation ends after the set simulation time.



In the "static" simulation for the part quantity counter, the counter is only changed once by the set "increment value" after the start.

When simulating the subset counter, note that in triangle mode, the submenu counter must be in bidirectional mode to achieve the expected effect.

Parameter table Measuring

Sublevel	Parameter level	Subparameter level 1	Subparameter level 2	Subparameter level 3	Description	Value range/ value list	Default value LPM	Default value GPM
Flow	Unit	<i>List selection</i>			Sets the flow unit	<i>ml/m, L/m, L/h, m3/h, galUS/m, galUS/h, galUK/m, galUK/h, User</i>	<i>L/m</i>	<i>galUs/m</i>
	separation	<i>value input</i>			Sets the value for the low flow cutoff	$0 \leq \text{Value} \leq \text{Range start}$	<i>Range start</i>	
	Simulation mode	<i>See table Simulation mode</i>						
Volume	Counter Type	<i>absolute/bidirectional</i>			Sets the counting mode		<i>absolute</i>	
	Unit	<i>List selection</i>			Sets the volume unit	<i>ml, L, m3, galUS, galUK, User</i>	<i>L</i>	<i>L</i>
Part volume	Counter Type	<i>absolute/bidirectional</i>			Sets the counting mode		<i>absolute</i>	
	Unit	<i>List selection</i>			Sets the volume unit	<i>ml, L, m3, galUS, galUK, User</i>	<i>L</i>	<i>galUs</i>
	memory reset	Yes/No			Sets the counter value to "0"			
	Simulation mode	<i>See table Simulation mode</i>						

10.5 Dosing function

see section 12

10.6 Outputs

The MIS flowmeter provides a total of 2 outputs that are freely configurable. The configuration of the outputs (output 1 and output 2) is done via a wizard function. The wizard function guides the user step by step through all necessary settings.

Steps:

- Select output
- Selection of the source or the measurement variable to be output (Flow, Volume, Temperature, Part volume)
- Selection of an output type (4-20 mA, 0-20 mA, 0-10 V, 2-10 V, alarm, pulse, frequency output, IO-Link, control input)
- Setting the output (scaling, thresholds)
- Save the configuration

The different output types are optimized for different types of applications. The following table contains the application recommendations for the different output types. If the outputs are not used according to the recommendations, measurement deviations can occur, and the desired functionality is not achieved.

Application	Output type			
	Analog output (all variants)	Frequency output	Pulse output	Alarm output
Telemetry device	✓	✓		
Limit monitoring				✓
Window monitoring				✓
External dosage			✓	
External volumetric count			✓	

Application table output types

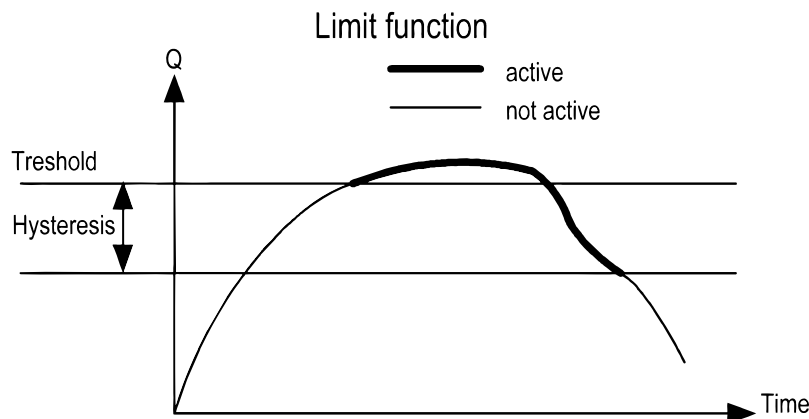
10.6.1 Alarm output

The alarm outputs can be parameterized with a limit value function or a window function.

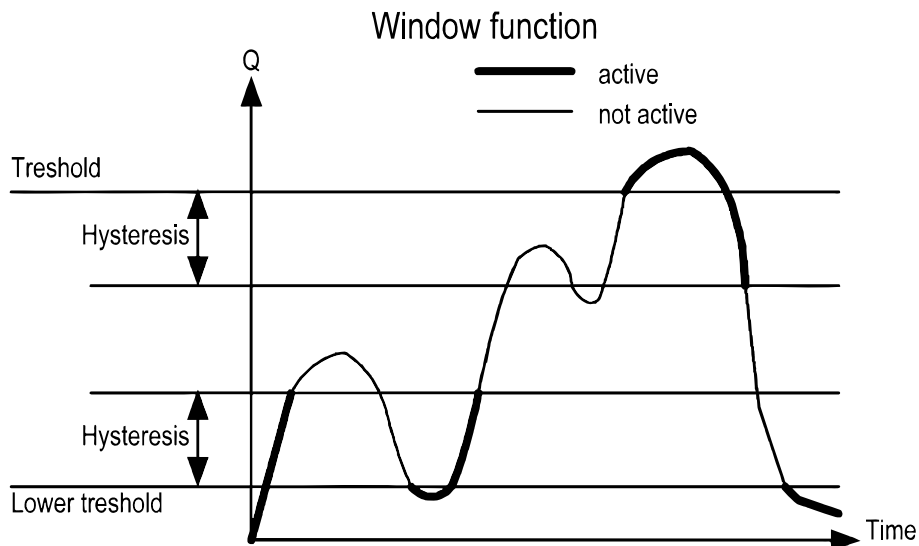
10.6.1.1 Function

The parameter "*Function*" defines the basic function. Limit value function and window function are available.

Limit value function: The switching output is **active** if the current flow rate value is above the switching threshold. It remains **active** until the measured value has fallen below the switching threshold minus the hysteresis.



Window function: The switching output is **active** if the current flow measured value is outside a window, which is formed by the "*switching threshold*" and the "*lower threshold*". The monitored window decreases in each case by the amount of the "*hysteresis*". If the switching output is to be **active** within the window, the parameter "*switching function*" must be changed from N/O to N/C.



10.6.1.2 Output type

The parameter "*Output type*" defines the function of the transistor output. NPN, PNP or PP (push-pull) output types are available. The push-pull type combines NPN and PNP and is therefore the best choice for most circuits. All outputs are short circuit and overload protected.

10.6.1.3 Switching function

The "*switching function*" defines the mode of operation of the outputs. In the default setting "normally open", the output becomes active (switched) when the measured value exceeds the switching threshold. This feature is also referred to as N.O. In the "*Normally closed*" setting, the output below the switching threshold is already active and is deactivated when the measured value exceeds the switching threshold. This function is also referred to as N.C.

10.6.1.4 Threshold

Threshold for limit value function and upper window point for window function.

10.6.1.5 Lower threshold

The "lower threshold" defines the lower limit when using the window function. When using the limit value function, this parameter remains ineffective. The switching thresholds can be set both positive and negative.

10.6.1.6 Hysteresis

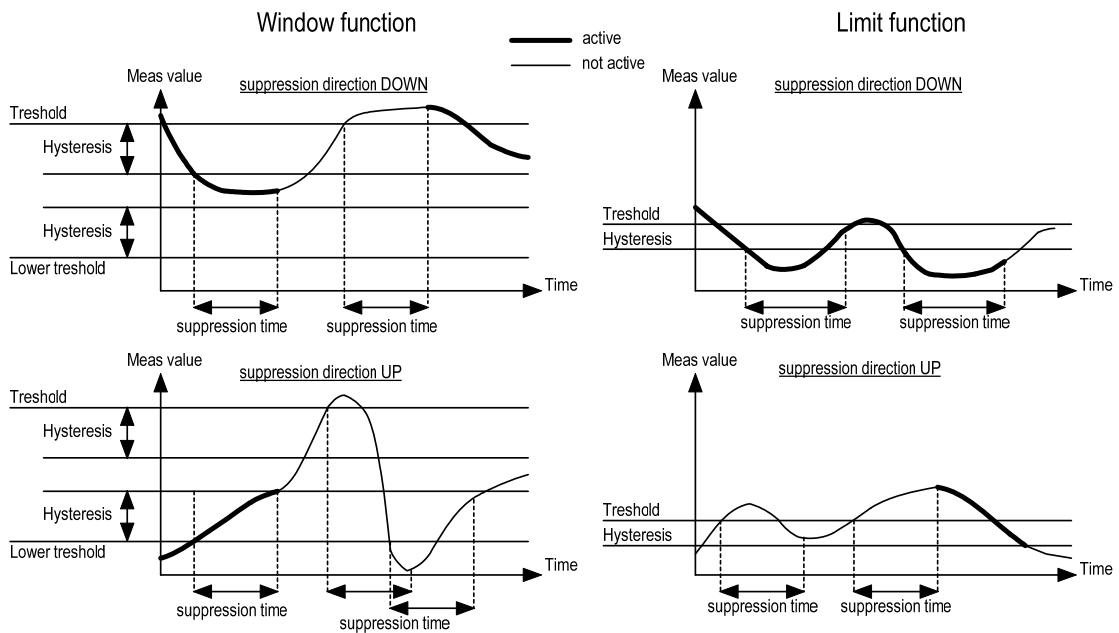
The appropriate setting of the "hysteresis" parameter ensures that the switching outputs do not switch on and off continuously when the current measured value fluctuates around the switching threshold. The hysteresis value should therefore always be greater than the real measured value fluctuations. As a result, a targeted suppression can be achieved.

10.6.1.7 Filter factor (delay)

Further suppression of the switching outputs of fluctuating measuring signals can be achieved by setting the parameter "Filter factor". If this parameter is selected greater than 0, the switching of the output will be delayed accordingly. The "Supp direction" parameter determines whether the deceleration is to be effective when the switching threshold is exceeded or not reached (alternatively in both directions). "High" means that the delay is active when the measured value exceeds the switching threshold, "Down" means corresponding effect when the switching threshold is undershot.

The measured value must stay continuously below or above the switching threshold with the count of [SUPPRESSIONFACTOR] before the switching output will be activated. With this function sporadic limit value overruns can be safely suppressed.

According to the value of the parameter "filter factor", the response time of the output generally increases.



Examples of the effect of the switching delay for window and limit function

10.6.2 Analog outputs

10.6.2.1 Current output 0(4)-20 mA

The current output gives a measured variable (flow or temperature) in scaled form as a 0 (4) -20 mA current signal.

The current output is scaled via the "Value 20 mA "and" Value 4 mA "(with current output 0-20 mA "Value 0 mA"). By default, the "Value 20 mA" parameter is set to the value for the end of the measuring range but can be parameterized as desired within the measuring range, but always bigger than the measuring range start value. The parameters "Value 4 mA" / "Value 0 mA" define the measured values for the starting current value, which may also be set freely in the measuring range.

Note 1: If the value is set smaller than the end of the measuring range, the accuracy of the output voltage value is reduced.

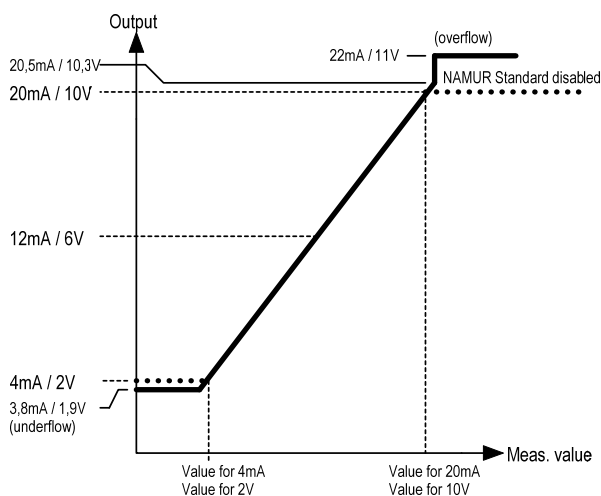
10.6.2.2 Voltage output 0-10 V / 2-10 V

The voltage output outputs a measurement variable (flow or temperature) in scaled form as a 0-10 V / 2-10 V voltage signal.

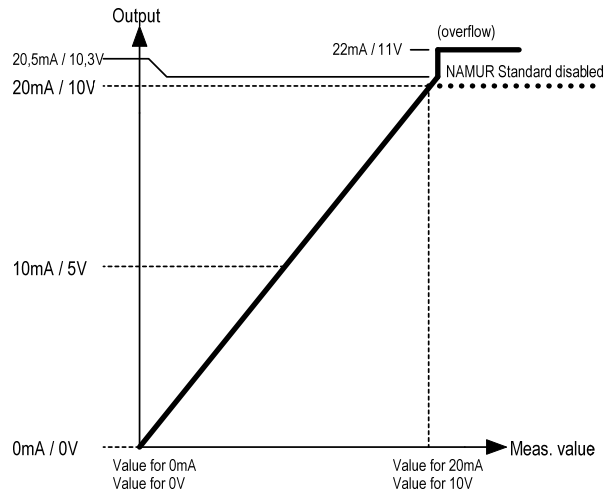
The scaling of the voltage output is done via the parameter "Value 10 V "and "Value 0 V". By default, the "Value 10 V" parameter is set to the value for the end of the measuring range but can be parameterized as desired within the measuring range, but must always be bigger than the measuring range start value.

The parameters "Value 0 V" and "Value 2 V" define the measured values for the start voltage value, which may also be freely set in the measuring range.

Note 1: If the value is set smaller than the end of the measuring range, the resolution and accuracy of the output voltage value are reduced.



Output behavior 4-20 mA and 2-10 V



Output behaviour 0-20 mA and 0-10 V

10.6.2.3 Activation of behaviour according to NAMUR recommendation NE43

For all analog outputs (current and voltage), the output behavior can be activated according to NAMUR recommendation NE43. When the function is activated, e.g. the linear output of the 4 to 20 mA signals to 3.8 to 20.5 mA. Above 20.5 mA, the current value jumps to approx. 22 mA to signal a measuring range overshoot. Current output values between 3.8 and 4.0 mA indicate that the measuring range is undershot. The output of approximately 3.6 mA signals a device or process fault (e.g., empty tube signaling).

10.6.3 Pulse output

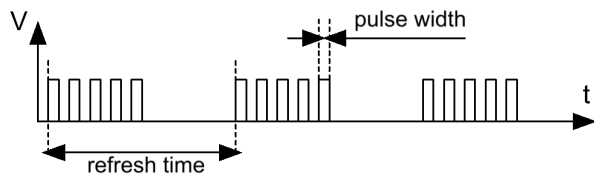
MIS flowmeter provides a scalable pulse output. When the pulse output is activated, the cyclically incoming volume is available as a pulse train at the output. The pulse width of the pulse output is constant and can be set in a range of 1 ms up to 20 s. The pulse output is updated in a cycle of 20 ms. At the beginning of each update, it is determined how much volume has been accumulated during the previous update period. According to this amount and the set pulse volume, the corresponding amount of pulses is available as a pulse train at the output.



The pulse signal is not suitable for determining the volume flow with an external frequency measurement.

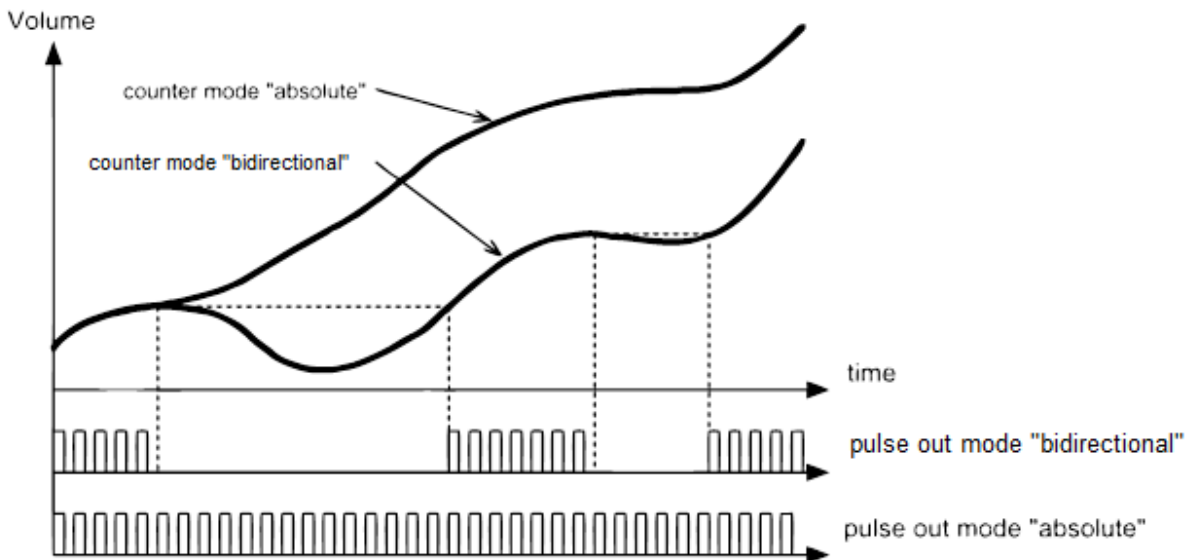


The reaction time of the pulse output is directly dependent on the flow parameter "separation" (cutoff). The shortest reaction time is reached if this parameter is set to the value "0.0" (factory setting: start of measuring range).



The electrical output type of the pulse output is push-pull, therefore HIGH and LOW are actively switched through at the output.

Pulse output function with different totalizer types



Behavior on OVERFLOW:

If the volumetric flow measurement is in the OVERFLOW range, the pulse output is switched off and a constant HIGH level is applied to the output.

Generation of the output pulse train:

The pulse volume (pulse value volume per output pulse) can be set freely within wide ranges. Together with the adjustable pulse width and the measuring range of the device there is a limited range in which the pulse output is instantaneous.

This is the case if the following condition is met:

$$\frac{\text{MRE-Measurement Range End [L/min]} * \text{pulse width [ms]}}{\text{pulse volume [L]}} \leq 22500$$

or

$$\text{Pulse volume [L]} \geq \frac{\text{MRE-Measurement Range End [L/min]} * \text{pulse width [ms]}}{22500}$$

If the condition is not met, there may be a time lag of the pulse output. This is particularly undesirable if dosing tasks are to be performed with the pulse signal.

The following table shows the different combinations of pulse volume and pulse width for the different measuring ranges, in which the above limiting condition is fulfilled.

Measuring range [LPM]	pulse width [ms]	min. pulse volume [L]	max. pulse rate [pulse/L]
100	20	0.08889	11.25
	10	0.04444	22.50
	5	0.02222	45.00
	1	0.00444	225.00
50	20	0.04444	22.50
	10	0.02222	45.00
	5	0.01111	90.00
	1	0.00222	450.00
25	20	0.02222	45.00
	10	0.01111	90.00
	5	0.00556	180.00
	1	0.00111	900.00
10	20	0.00889	112.50
	10	0.00444	225.00
	5	0.00222	450.00
	1	0.00044	2250.00
03	20	0.0026	375
	10	0.0013	750
	5	0.0006	1500
	1	0.0001	7500

The pulse output only takes place in measuring mode; while the menu mode is active no pulses are given. The pulses accumulated in the menu mode are output as soon as the measuring mode is active again. Depending on the situation, this can also lead to a longer pulse lag.

10.6.3.1 Pulse volume

The parameter "Pulse volume" is defined as volume quantity for the output of a pulse; the unit is corresponding to [volume quantity / pulse]. The likewise common pulse rate [pulse / volume unit] corresponds to the reciprocal of the pulse volume.

Example: Desired pulse rate at the output 10 pulses / liter => pulse volume = 1 / pulse rate = 1/10 L = 0.1 L

10.6.3.2 Volume unit

The volume unit to be set is the input unit for the "Pulse volume" parameter. The definition of a user-defined unit ("user") is also possible and can be programmed in "liters".

Example:

Unit "user" = 10 [L], pulse volume = 2 [user]

The total pulse volume would be 2 * 10 = 20 [L]. After 20 liters, a pulse is output.

10.6.3.1 Pulse width

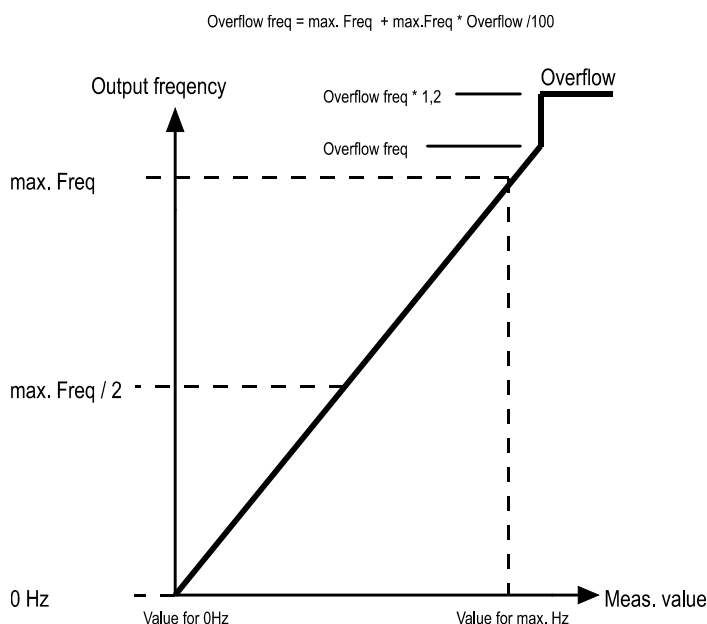
The pulse width of the pulse output is flexibly adjustable from 1 to 20,000 ms.

10.6.4 Frequency output

The MIS flowmeter provides a scalable frequency output. When this output is activated, the measurement variable (flow) associated with the frequency output is output proportionally as a frequency with a 1: 1 pulse / pause duration. The output frequency at the end of the measuring range can be set (parameter "maximum frequency"). With the two parameters "Value for 0 Hz" and "Value for max Hz", the frequency output in the measuring range can be freely scaled.

Behavior on OVERFLOW:

If the measured value is in the overflow range, a constant frequency is output.



Output behavior Frequency output

10.6.5 Control input

Output 1 can be configured as a control input. This can reset the MIN / MAX memory or the partial quantity counter depending on the assigned measurement variable.

Function	Measurement Variable	Control Pulse Duration
MIN / MAX Reset	Flow, Temperature	0.5s < t _{high} < 4s
Part Volume Counter Reset	Part Volume Counter	0.5s < t _{high} < 4s

Parameter table **Output 1/2 – Flow**

Sub-parameter level 1	Sub-parameter level 2	Sub-parameter level 3	Description	Value range / value list	Standard value LPM	Standard value GPM
<i>disabled</i>			<i>Output deactivated</i>		<i>IO-Link</i>	
Alarm Output	Function	<i>List selection</i>	Sets the basic function	<i>Limit function / window function</i>	<i>Limit function</i>	
	Output		Sets the electr. Output	<i>NPN/PNP/PP</i>	<i>NPN</i>	
	switching function		Set the log. switching function	<i>NO/NC</i>	<i>NO</i>	
	threshold	<i>Value input</i>	Sets the switching threshold	<i>MB start ≤ value ≤ Full scale</i>	<i>1</i>	
	lower threshold		Sets the lower threshold for window function	<i>Value threshold ≤ value ≤ MB start</i>	<i>1</i>	
	hysteresis		Defines the switching hysteresis	<i>-9999,0 ≤ value ≤ +9999,0</i>	<i>1</i>	
	filter factor		Factor for the switching delay x100 ms	<i>0x ≤ value ≤ 60x</i>	<i>0</i>	
	direction		Defines the effective direction of the switching delay	<i>Up / Down / Both</i>	<i>Down</i>	
4-20 mA	NAMUR Standard	<i>Value input</i>	Activates the behavior according to NAMUR NE43	<i>activated / deactivated</i>	<i>deactivated</i>	
	<i>Value 4 mA</i>		Measured value for 4 mA output	<i>MB-start ≤ value ≤ Wert 20 mA</i>	<i>0</i>	
	<i>Value 20 mA</i>		Measured value for 20 mA output	<i>Value 4 mA ≤ value ≤ Full scale</i>	<i>100</i>	
0-20 mA	NAMUR Standard		Activates the behavior according to NAMUR NE43	<i>activated / deactivated</i>	<i>deactivated</i>	
	<i>Value 0 mA</i>		Measured value for 0 mA output	<i>MB start ≤ value ≤ value 20 mA</i>	<i>0</i>	
	<i>Value 20 mA</i>		Measured value for 20 mA output	<i>Value for 0 mA ≤ value ≤ Full scale</i>	<i>100</i>	
2-10 V	NAMUR Standard		Activates the behavior according to NAMUR NE43	<i>activated / deactivated</i>	<i>deactivated</i>	
	<i>Value 2 V</i>		Measured value for 2 V output	<i>MB start ≤ value ≤ value 10 V</i>	<i>0</i>	
	<i>Value 10 V</i>		Measured value for 10 V output	<i>Value for 2 V ≤ value ≤ Full scale</i>	<i>100</i>	
0-10 V	NAMUR Standard	Activates the behavior according to NAMUR NE43	<i>activated / deactivated</i>	<i>deactivated</i>		
	<i>Value 0 V</i>	Measured value for 0 V output	<i>MB start ≤ value ≤ value 10 V</i>	<i>0</i>		
	<i>Value 10 V</i>	Measured value for 10 V output	<i>Value for 0 V ≤ value ≤ Full scale</i>	<i>100</i>		

Sub-parameter level 1	Sub-parameter level 2	Sub-parameter level 3	Description	Value range / value list	Standard value LPM	Standard value GPM
Frequency Output	<i>max. frequency</i>	<i>Value input</i>	Frequency output at "value at max. Hz"	50-1000 Hz	500 Hz	
	<i>overflow</i>		Overflow value in % of the value "max. frequency"	1-100 [%]	1%	
	<i>Value at 0 Hz</i>		Value at 0 Hz	$MB\ start \leq \text{value} \leq \text{value at max. Hz}$	0	
	<i>Value at max. Hz</i>		Value at "maximum frequency"	$\text{Value for 0 Hz} < \text{value} \leq \text{Full scale}$	100	
Control Input (only output 1)			Control function for MIN / MAX memory reset	OFF, memory reset	Aus	
KofiCom	<i>Factory calibration mode on output 1</i>					
IO-Link	<i>This mode activates the IO-Link function on output 1 (standard factory setting)</i>					

Parameter table Output 1/2 – Volume

Sub-parameter level 1	Sub-parameter level 2	Sub-parameter level 3	Description	Value range / value list	Standard value LPM	Standard value GPM
<i>disabled</i>			<i>Output deactivated</i>		<i>disabled</i>	
Pulse Output	Pulse unit	<i>List selection</i>	Sets the Pulse Volume for Pulse Volume	<i>ml, L, m3, galUS, galUK, User</i>	L	<i>galUs</i>
	Pulse volume	<i>value input</i>	Sets the value for the pulse volume	0.001-999	1	
	Pulse width		Sets the pulse width	1-20.000	1 ms	
KofiCom	<i>Factory calibration mode on output 1</i>					
IO-Link	<i>This mode activates the IO-Link function on output 1</i>					

Parameter table **Output 1/2 – Part volume**

Sub-parameter level 1	Sub-parameter level 2	Sub-parameter level 3	Description	Value range / value list	Standard value LPM	Standard value GPM
<i>Disabled</i>			<i>Output deactivated</i>		<i>disabled</i>	
Pulse Output	Pulse unit	<i>List selection</i>	Sets the Pulse Volume for Pulse Volume	<i>ml, L, m3, galUS, galUK, User</i>	<i>L</i>	<i>galUs</i>
	Pulse volume	<i>Value input</i>	Sets the value for the pulse volume	<i>0-999</i>	<i>1</i>	
	Pulse width		Sets the pulse width	<i>1-20.000</i>	<i>1 ms</i>	
Control Input (only Out1)			Control function for counter reset	<i>OFF, memory reset</i>	<i>Off</i>	
KofiCom (only OUT1)	<i>Factory calibration mode on output 1</i>					
IO-Link (only OUT1)	<i>This mode activates the IO-Link function on output 1</i>					

10.7 User service

The user service provides the user with a reset function and password setting. Together with the activation of a user password, therefore, the menu access for the user on the part of a master user can be blocked.

10.7.1 User service / change password

In the factory setting the user password is set to "00000", the user functions are thus freely accessible. If the user password is changed to other than "00000", the password prompt becomes active the next time the user menu is entered. If the set password is no longer known, a master password can be requested from KOBOLD.

10.7.2 User service / factory setting

By activating this function, the user can reset the device to the factory settings. Any user settings will then be lost, and the device will be back in delivery condition.

Parameter table **User menu**

Sublevel	Parameter level	Description	Value range / value list	Standard value LPM	Standard value GPM
Password	value input	Protects the user service menu by password prompting if the password is not "00000"	00000-99999	00000	
Factory Reset	Yes / No	Resets the device to factory settings			
Menu Lock	unlocked / closed	<i>With "locked", the menu access only takes place via the password prompt</i>	unlocked / closed	<i>unlocked</i>	
Sim Autostop	Value input	<i>Sets the time for how long the simulation mode remains active</i>	1 - 31 min.	10 min.	

10.8 Service / Factory service

The factory service function is password protected and not accessible to the user.

10.9 Info

10.9.1 General

This info option displays the measuring ranges of the device for flow and temperature.

10.9.2 Version

This info option displays the hardware and software version of the device.

10.9.3 QR code link to the user manual

Here a QR code is displayed. With a suitable smartphone, the code can be scanned and the user manual in English downloaded directly as a PDF and opened.

The smartphone must have a QR code scanning app and a PDF reader app installed, as well as an internet connection.

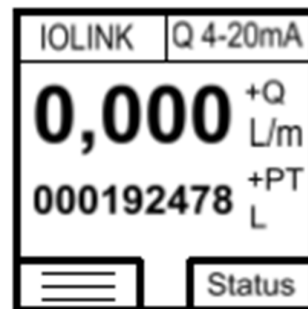
Parameter table Info

Menu level	Sublevel	Description
Info	General	Displays the measuring ranges of the device
	Version	Displays the hardware and software version
	Manual	Displays the QR code to download the instruction manual

10.10 Device default settings

The flowmeter-MIS is delivered from the factory with following settings:

Display – Dual
Upper Display – Flow
Lower Display – Partial Quantity Counter
Out 1: IO-Link
Out 2: T 4-20 mA



11. Status

The electromagnetic flowmeter can detect and display various device or application errors.

If there is a status or error message, the STATUS symbol in the display alternately flashes orange / red. To call up the status / error information, the status key must be pressed, then the status window that appears then lists all the messages that have accumulated up to this point in time. By pressing the $\cdot\leftarrow\leftarrow\leftarrow\cdot$ key, the user confirms the knowledge of the displayed errors, the status memory is cleared, and the status window is closed. If one of the displayed errors persists, it will be reported again by flashing the status icon.

The following status / error messages are generated:

Display text	Description	Debugging
<i>Empty Pipe</i>	Measuring tube is not completely filled with medium or medium with too low conductivity is used.	Check the filling of the measuring circuit or conductivity of the medium (> 20 $\mu\text{s} / \text{cm}$)
<i>Meas saturated</i>	Flow measuring circuit overdriven	Reduce flow rate
<i>No Subslave</i>	Internal hardware error	Repair by KOBOLD Service necessary
<i>Simulation</i>	Simulation function active	-

12. Dosing function

The standard MIS provides a simple dosing function. This can be permanently activated or deactivated in the settings menu under the menu item "dosing". If the dosing function is activated, fixed functions are assigned to the 2 outputs which cannot be changed as long as the dosing function is activated:

OUT2 (Pin 2): Dosing output in push pull configuration
OUT1 (Pin 4): Control input for START/STOP/RESET function



Attention!

If the control input is not used, then OUT1 (connection pin 4) must be connected to PIN3 (GND), the control input must not be left open!

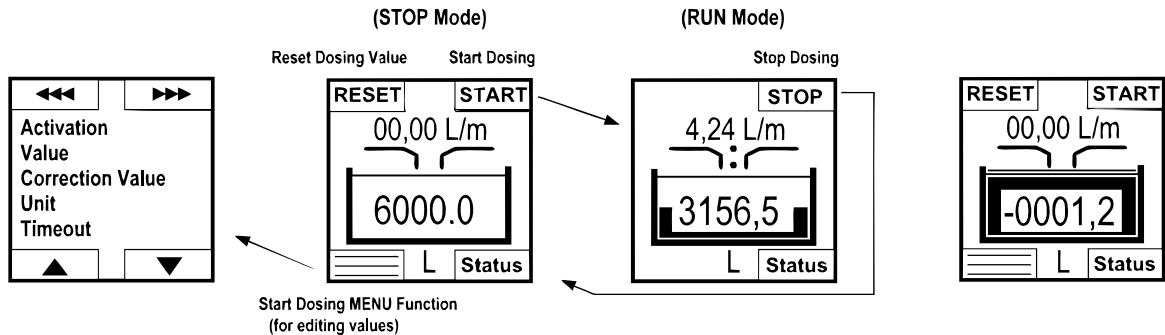


When using the dosing function, it is recommended to set the flow parameter "Separation" (Cutoff) to the value "0.0" in order to achieve the most accurate results possible (factory setting: start of measuring range).

If the dosing function is deactivated, both outputs are switched to OFF (deactivated) by default but can then be freely configured again.

Dosing Edit Menu

Main Display Dosing



In the main display of the dosing function, the quantity to be dosed in a pre-selectable unit and the current flow value are displayed on the one hand. The progress of the dosing process is additionally represented by a graphic animation in which the container shown fills in percent and also overflow is shown.

Softkey buttons: All softkey buttons in dosing mode must be held down by the user for at least 2 seconds and then released again for the corresponding function to be triggered. This is to avoid accidental operation.

Control input: Connection OUT1 can be used as a control input for the functions Start / Stop / Reset when the dosing function is activated.

Function	Conditions	Control pulsetime
START	Stop Modus	$0.5\text{ s} < t_{\text{high}} < 4\text{ s}$
STOP	Run Modus	$0.5\text{ s} < t_{\text{high}} < 4\text{ s}$
RESET	Stop Modus	$t_{\text{high}} > 5\text{ s}$

START of dosing:

Dosing can be started either by triggering the "START" softkey or by applying a high pulse to the control input.

After the START function has been triggered, the dosing output is switched to active (High) and the dosing counter is counted down in the standard direction when flow is present.

If the dosing process is stopped incomplete manually, it can be restarted by the START function.

STOP of dosing

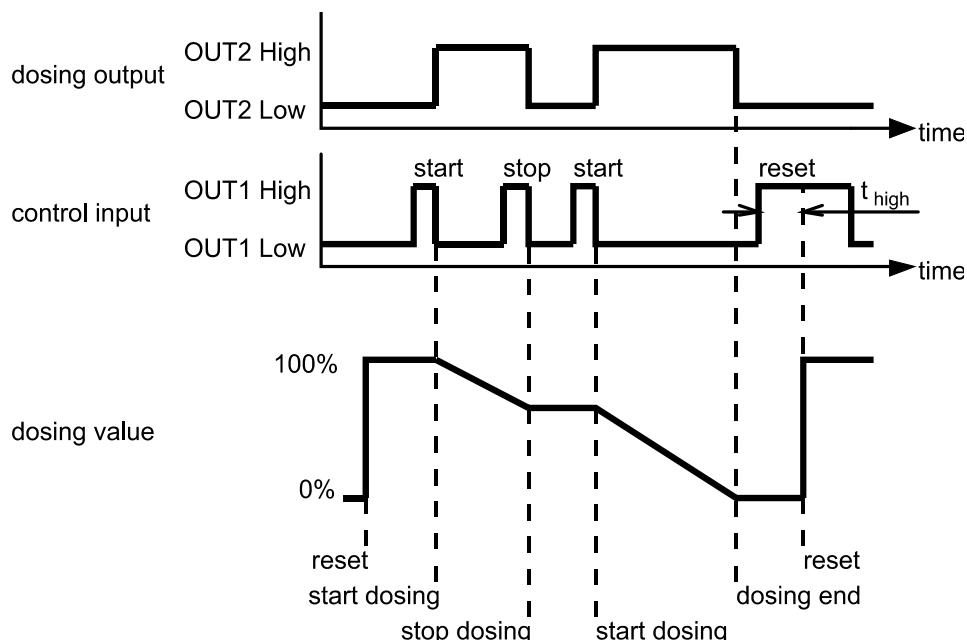
If the dosing process is started, it can be stopped or interrupted by the STOP function. Resumption of dosing to reach the total dosing quantity is possible by START.

Like the START function, the STOP function can be remotely controlled by the control input.

RESETTING the dosing value

If the dosing process is finished or stopped, the dosing quantity can be reset to the default value by the function RESET.

This function can also be triggered at the control input.



Description of dosing parameters

Dosing quantity "Value"

Parameter "Value" determines the dosing volume. The volume unit is specified in the "Unit" parameter.

The maximum size is limited to 9999.9 (one digit after the decimal point). The absolute quantity can be extended or restricted by a suitable choice of dosing unit.

Dosing unit "Unit"

Parameter "Unit" defines the dosing volume unit. The choices are: mL, L, m3, gal US, galUK, barrel, user

Dosing correction value "Correction value"

The "Correction value" parameter can be used to correct a system-related, constant "incorrect dosing" without having to change the actual dosing quantity. The correction value can be both positive and negative. If the system doses a smaller volume than intended, the correction value must be positive, but negative for a larger real volume. e.g.

Dosing quantity = 10 L

Correction value = -1 L

In this case, the metering counter will count from 10 L to '0', but will stop at 1 L because the quantity to be metered is 9 L calculated on the basis of the correction value of -1 L.

With a correction value of +1 L, the dosing counter will stop counting at -1 L, because the dosing amount is calculated to be 11 L.

$10 - (-1 \text{ L}) = 11 \text{ L}$

The adjustable value of the correction value must always be:

(Value + Correction Value) > 0

If this condition is not met, this will be indicated by a warning message and the correction value will be preset to the value - (Value-0.1).

Dosing parameter "Timeout"

During the dosing process, the presence of a flow value not equal to 0 is constantly monitored. For this purpose, the parameter "Timeout" is used to set the time after which the status message "Time Out" is triggered.

The timeout value can be set between 0.5 sec and 10 sec.

Parameter table **Dosing**

Sublevel	Parameter level	Subparameter level 1	Subparameter level 2	Subparameter level 3	Description	Value range / value list	Standard value LPM	Standard value GPM	
Activation	disabled				Dosing function deactivated		disabled		
	aktivated	Activation			Dosing function activated				
		Value	Value input				$0 \leq \text{Value} \leq 9999.99$ [unit]	0	
		Correction value	Value input				$-999.99 \leq \text{Value} \leq +999.99$ [unit]	0	
		Unit	List selection				ml, L, m3, gal US, gal UK, User	L	galUs
	Time out	Value input				0.5 - 10 sec	0.5 sec.		

13. IO-Link function

As of firmware version REV190320, the MIS flowmeter has an IO-Link communication interface as standard. Process and diagnostic data can be accessed directly via this interface and the device can be parameterized.

Output 1 is factory configured for IO-Link function. If the IO-Link communication mode is active, the "IOLINK" symbol in the status display for the outputs is displayed in green. The setup menu remains locked when the IOLINK mode is active and is inaccessible.

To ensure that the IO-Link device can be operated correctly on the connected IO-Link master, it is necessary to install the device description file matching the device. The device description files (IODD) are available in the IODDfinder, ioddfinder.io-link.com.

Further information on IO-Link is available on the homepage www.io-link.com.

13.1 Specification

Manufacturer	ID 1105 (decimal), 0x0451 (hex)
Manufacturer name	KOBOLD Messring GmbH
IO-Link specification	V1.1
bitrate	COM3
Minimum cycle time	1.1 ms
SIO mode	yes (OUT1 in configuration IO-Link)
block parameterization	yes
Ready for operation	10 sec.
Max. Cable length	20 m

14. Technical Information

Measurement Process:	electromagnetic
Range:	see flow specific values
Media:	conductive liquids
Minimum Conductivity:	$\geq 20 \mu\text{S/cm}$
Max. Medium Viscosity:	$70 \text{ mm}^2/\text{s}$
Max. Pressure:	16 bar
Accuracy:	$\pm(0.5 \% \text{ of reading} + 0.3 \% \text{ of full scale})^*$
Repeatability:	$\pm 0.2 \% \text{ of full scale}$
Response Time flow t_{90} (alarm output/pulse output):	$< 250 \text{ ms}$
Mounting Position:	in all directions
In-/outlet:	5xDN/3xDN
Pressure Drop (max. at 3 m/s):	25 mbar
Handling:	4 optical touch fields, useable with hand gloves
Housing:	aluminum, powder coated, Display screen PMMA

Wetted parts

Connection:	Stainless Steel ASTM A105, paint coated (Corrosivity category C4M)
Lining:	NBR (others on request)
Electrodes:	Hastelloy® C276
Protection:	IP67
Media temperature:	$-10 \dots 70 \text{ }^\circ\text{C}$
Ambient temperature:	$-10 \dots 60 \text{ }^\circ\text{C}$

Electrical data

Supply voltage:	19-30 V _{DC} internal power consumption max. 200 mA
Display:	TFT display, 128x128 pixels, 1.4", display orientation in 90 ° steps adjustable
Display repetition rate:	0.5...10 s, adjustable
Pulse output:	Push Pull, freely scalable, configuration for partial and accumulated totalizer
Frequency output:	Push Pull, freely scalable 2 kHz @ Overflow $f_{\text{min}} @ \text{FS} = 50 \text{ Hz}$ $f_{\text{max}} @ \text{FS} = 1000 \text{ Hz}$
Alarm output:	NPN, PNP, Push Pull configurable max. 30 V _{DC} , max. 200 mA short-circuit proof
Analog output:	active, 3-Leiter, 0(4)-20 mA, max. load 500 Ω or 0(2)-10 V _{DC} , ($R_i = 500 \Omega$)

Control Input:	Active Signal U_{high} max. 30 V _{DC} 0 < Low < 10 V _{DC} 15 V _{DC} < High < V _s
Dosing Function:	Dosing Output OUT2: Push Pull, High active Control Input Out 1: START/STOP 0.5 s < t _{high} < 4 s RESET t _{high} > 5 s
Electrical Connection:	Plug M12x1, 4-pin
*Under reference conditions:	media temperature: 15 ... 30 °C, 1 cSt., 500 µS/cm, 1 bar, ambient temperature: 15 ... 30 °C

Flow Specific Values

DN	Size	ASME	Mesuring range (m ³ /h)
80		3"	0.6...160
100		4"	1.0...250

Configuration of Outputs

Output 1 (OUT 1, PIN 4)	Output 2 (OUT 2, PIN 2)
Analog output 4-20 mA	Analog output 4-20 mA
Analog output 0-20 mA	Analog output 0-20 mA
Analog output 2-10 V	Analog output 2-10 V
Analog output 0-10 V	Analog putput 0-10 V
Switching output NPN/PNP/PP	Switching output NPN/PNP/PP
Pulse output PP	Pulse output PP
Frequency output PP	Frequency output PP
Communication mode M12 COM	
Communication mode IO-Link	
Control input	
Control input dosing function	Dosing output

15. Order Codes

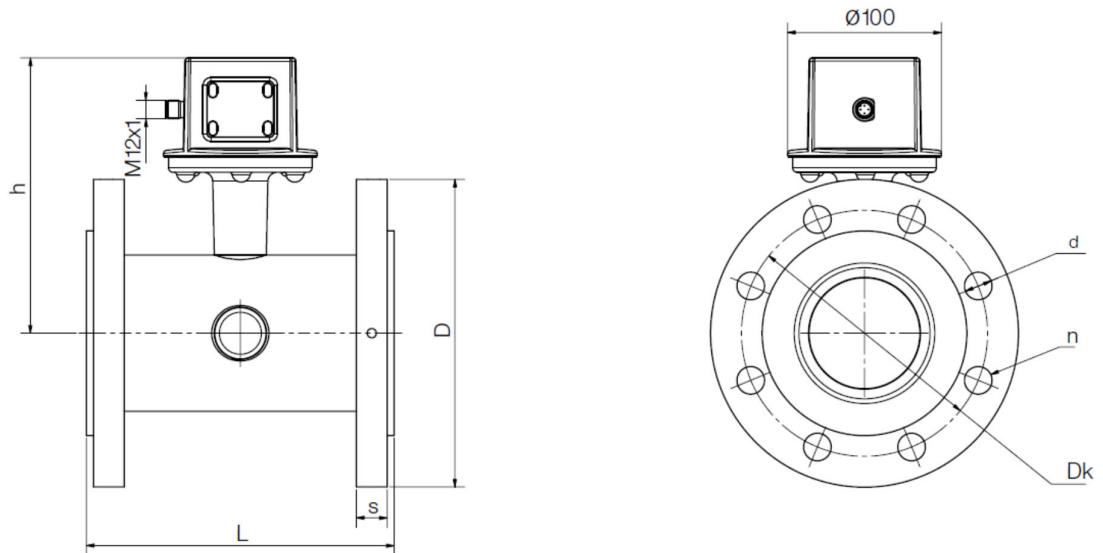
Order Details (Example: MIS-H 330B1 HH 100)

Model	Material	Flange type/size	Material process connection	Measuring and earthing electrodes	Transmitter mounting
MIS-	H = hard rubber X ¹⁾ = acc. to specification	330B = DN80 PN16 form A DIN EN 1092-1 335B = DN100 PN16 form A DIN EN 1092-1 208R = 3" Class 150 FF ASME B16.5-2003 210R = 4" Class 150 FF ASME B16.5-2003 XXXX = acc. to specification	1 = steel, paint coated	HH = Hastelloy® XX ²⁾ = acc. to specification	100 = integrated

- 1) Possible linings on request: EPDM, Soft Rubber, or PTFE
- 2) Possible electrodes on request: Platinum, Stainless Steel, Tantalum, Titanium

16. Dimensions

[in mm]



	Nominal diameter	h	L	D	s	Dk	d	n
DIN	3" (DN80)	178.8	200	200	20	160	18	8
	4" (DN100)	183.7	250	220	22	180	18	8
ASME	3" (DN80)	177.3	200	190	26	152.4	19	4
	4" (DN100)	185.2	250	230	27	190.5	19	8

Weight

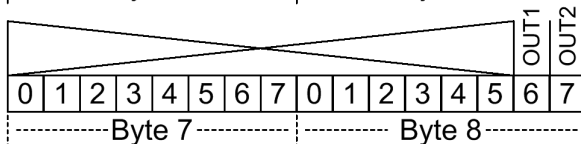
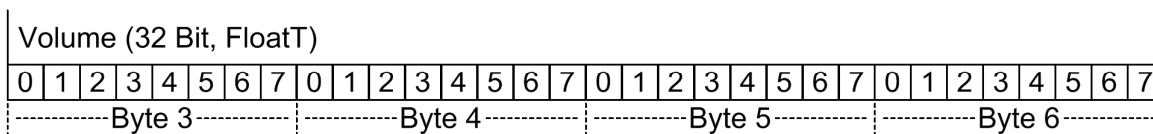
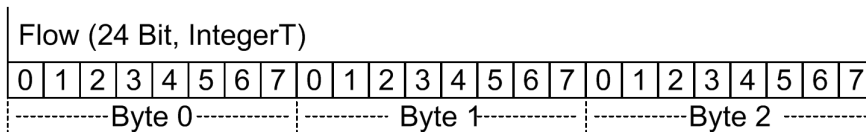
Nominal size		Pressure rating	NBR lining Weight [lb]
[mm]	[inch]		
80	3	PN16 / Cl. 150	26.5
100	4	PN16 / Cl. 150	34.4

17. Annex

17.1 IO-Link process data structure

Process data length: 9 bytes

Byte no.	Data	Bit count	Format	Factor	Range	Value
0 - 2	Flow	24 Bit	IntegerT	1/1000	+/-8388,608	L/min
3 - 6	Volume	32 Bit	FloatT		+/-1,4*10 ⁻⁴⁵ ... +/-3,4*10 ⁺³⁸	L
7 - 8	reserved	14 Bit	BooleanT			
	Status OUT1	1 Bit	BooleanT		0 / 1	
	Status OUT2	1 Bit	BooleanT		0 / 1	



17.2IO-Link diagnostic information

Event Code [hex]	Event Code [dec]	Name	Device Status	Type	Definition
0x7710	30480	Short Circuit		Error	check installation
0x8C10	35856	Process Variable Range Overrun		Warning	process data uncertain
0x8C20	35872	Measurement Range Overrun		Error	check application
0x8C30	35888	Process Variable Range Underrun		Warning	process data uncertain
0x1838	6200	1. Test Event for Protocol Testing		Error	first test event
0x1839	6201	2. Test Event for Protocol Testing		Error	second test event
0x183A	6202	Flow MRE Overrun		Warning	flow measuring range overrun
0x183B	6203	Flow MRS Underrun		Warning	flow measuring range underrun
0x183C	6204	Flow Overflow Overrun	2	Warning	flow overflow range overrun
0x183D	6205	Flow Underflow Underrun	2	Warning	flow underflow range underrun
0x183E	6206	Flow Cutoff Out		Warning	out of flow cutoff range
0x1843	6211	NVM Error	4	Error	non-volatile memory is corrupt
0x1844	6212	Subslave Lost		Error	communication to subslave interrupted
0x1845	6213	Subslave Not Found	4	Error	communication to subslave couldn't be established
0x1846	6214	Emptypipe		Warning	no media in tube
0x1847	6215	Temperature Sensor Error	4	Error	no sensor attached
0x1848	6216	Measuring Circuit Saturated	2	Warning	ADC out of range
0x1849	6217	Counter Overflow	2	Error	volume or part volume counter overflowed
0x184A	6218	Dosing Timeout		Warning	indicates that the no flow timeout of the dosing function is active
0x184B	6219	Simulation Active		Warning	indicates that one of the simulations is running

17.3 IO-Link device-specific system commands

Command (hex)	Command (hex)	Command name
0x82	130	Restore factory settings
0xA0	160	Reset part volume counter
0xA1	161	Start flow simulation
0xA2	162	Stop flow simulation
0xA5	165	Start part volume simulation
0xA6	166	Stop part volume simulation
0xA7	167	Events Handling ON
0xA8	168	Events Handling OFF
0xA9	169	Reset MinMax for Flow

17.4 IO-Link ISDU Parameter table

Index [hex]	Name	Description	Factory default	Max Value	Min Value	Length [Bytes]	Data Type	Access
System								
0x0002	System Command	See Table "Command Codes"				1	UIntegerT	W
Product Identification (Vendor specific parameters)								
0x0010	VendorName		Kobold Messring			max. 20	StringT	R
0x0011	VendorText		www.kobold.com			max. 32	StringT	R
0x0012	ProductName		MIS-XXXXXXXXX			max. 16	StringT	R
0x0013	ProductID		[exact model code]			max. 16	StringT	R
0x0014	ProductText		magnetic inductive flow meter			max. 32	StringT	R
0x0015	Serialnumber	only read parameter				max. 8	StringT	R
0x0016	Hardware Revision					max. 8	StringT	R
0x0017	Firmware Revision	Firmware Revision is constant in FW				max. 8	StringT	R
0x0018	Application DeviceTag	tag name is from user configurable				32	StringT	R/W
0x0019	FunctionTag	function tag is from user configurable				32	StringT	R/W
0x0020	LocationTag	location tag is from user configurable				32	StringT	R/W

Index [hex]	Name	Description	Factory default	Max Value	Min Value	Length [Bytes]	Data Type	Access
Device Status Information								
0x0024	DeviceStatus	0 - Device OK 1 - Maintenance required 2 - Out of specification 3 - Functional check 4 - Failure				1	UIntegerT	R
0x0025	DetaildDevice Status					max. 20	ArrayT of OctetString T3	R
Display Configuration								
0x0100	Display Orientation	Orientation of display	1	(0) - Landscape (1) - Portrait Flip (2) - Landscape Flip (3) - Portrait		1	UIntegerT	R/W
0x0103	DisplayLayout	Single or dual layout	1	(0) - single (1) - dual		1	UIntegerT	R/W
0x0104	UpperDisplay	Source for the upper display	0	(0) - Flow (1) - Volume (3) - Part Volume		1	UIntegerT	R/W
0x0105	LowerDisplay	Source for the lower display	2	(0) - Flow (1) - Volume (3) - Part Volume		1	UIntegerT	R/W
0x0106	DisplayRefreshTime	Refresh interval for the display [s]	0.5	10.0	0.5	4	FloatT	R/W
0x010A	LeftHotkey Function	Function for left hotkey	0	(0) - Off (1) - Value (2) - MinMax		1	UIntegerT	R/W
0x010B	RightHotkey Function	Function for right hotkey	0	(0) - Off (1) - Value (2) - MinMax		1	UIntegerT	R/W
0x010C	LeftHotkey Source	Source for the left hotkey	0	(0) - Flow (1) - Volume (3) - Part Volume		1	UIntegerT	R/W
0x010D	RightHotkey Source	Source for the right hotkey	0	(0) - Flow (1) - Volume (3) - Part Volume		1	UIntegerT	R/W
0x010E	Sensitivity OpticalKeys	Sensitivity for the optical keys	0	(0) - low (1) - middle (2) - high		1	UIntegerT	R/W

Index [hex]	Name	Description	Factory default	Max Value	Min Value	Length [Bytes]	Data Type	Access
0x010F	Automatic MenuLeave	Automatic menu leave if the timeout [s] is hit. 0 = timeout not active	0	60	0	1	UIntegerT	R/W
Output 1 (In IO-Link mode output 1 can be parameterized individual, operating mode can only be changed manually)								
0x0110	OUT1Source	Source for the output (production setting)	0	(0) - Flow (1) - Volume (3) - Part Volume		1	UIntegerT	
0x0111	OUT1Type	Configuration of the output: 0-20mA, Pulse, Frequency (production setting)	8	(0) - disabled (1) - Alarm Output (2) - 4-20mA (3) - 0-20mA (4) - 2-10V (5) - 0-10V (6) - Pulse Output (7) - Frequency Output (8) - M12COM (9) - IO-Link (10) - Control Input		1	UIntegerT	
0x0112	OUT1Alarm Function	Limit or window function for the alarm output	0	(0) - Limit (1) - Window		1	UIntegerT	R/W
0x0113	OUT1Alarm OutputType	Alarm output NPN, PNP or PushPull	0	(0) - NPN (1) - PNP (2) - PushPull		1	UIntegerT	R/W
0x0114	OUT1Alarm SwitchFunction	Alarm output normally opened or closed	0	(0) - normally opened (1) - normally closed		1	UIntegerT	R/W
0x0115	OUT1Alarm Threshold	Threshold for the alarm output	1.0	MRE	MRS	4	FloatT	R/W
0x0119	OUT1Alarm Lower Threshold	Threshold for the alarm output used by the window function	1.0	OUT1AlarmT hreshold	MRS	4	FloatT	R/W
0x011D	OUT1Alarm Hysteresis	Switching hysteresis for the alarm output	1.0	9999.0	-9999.0	4	FloatT	R/W
0x0121	OUT1Alarm Suppression Factor	How many times the threshold must be hit in order to switch the alarm output	0	60	0	1	UIntegerT	R/W

Index [hex]	Name	Description	Factory default	Max Value	Min Value	Length [Bytes]	Data Type	Access
0x0122	OUT1Alarm Suppression Direction	for which direction the suppression factor is used	0	(0) - Up (1) - Down (2) - Both		1	UIntegerT	R/W
0x0123	OUT1Analog Namur Standard	If enabled (1) the analog output conforms to the NAMUR Standard NE42. If disabled (0) the analog output stays in the equivalent range (e.g. 4-20mA)	1	(0) - NAMUR disabled (1) - NAMUR enabled		1	UIntegerT	R/W
0x0124	OUT1Analog Value0mA	The value from the slot used for the 0mA scaling point	0.0	OUT1Analog Value20mA	MRS	4	FloatT	R/W
0x0128	OUT1Analog Value4mA	The value from the slot used for the 4mA scaling point	0.0	OUT1Analog Value20mA	MRS	4	FloatT	R/W
0x012C	OUT1Analog Value20mA	The value from the slot used for the 20mA scaling point	100.0	MRE	OUT1Analog Value0mA	4	FloatT	R/W
0x0130	OUT1Analog Value0V	The value from the slot used for the 0V scaling point	0.0	OUT1Analog Value10V	MRS	4	FloatT	R/W
0x0134	OUT1Analog Value2V	The value from the slot used for the 2V scaling point	0.0	OUT1Analog Value10V	MRS	4	FloatT	R/W
0x0138	OUT1Analog Value10V	The value from the slot used for the 10V scaling point	100.0	MRE	OUT1Analog Value0V	4	FloatT	R/W
0x013C	OUT1Pulse Volume	The volume represented by one pulse	1.0	999.9	0.0	4	FloatT	R/W

Index [hex]	Name	Description	Factory default	Max Value	Min Value	Length [Bytes]	Data Type	Access
0x0140	OUT1Pulse VolumeUnit	Unit used for the pulse output	1	(0) - USER (1) - L (2) - mL (3) - m3 (4) - gal US (5) - gal UK (6) - Barrel		1	UIntegerT	R/W
0x0141	OUT1Pulse VolumeUnit User	User Unit used for the pulse output	1.0	9999.9	0,0	4	FloatT	R/W
0x0145	OUT1Pulse Width	Width of each pulse	1	20000	1	2	UIntegerT	R/W
0x0147	OUT1 Frequency atFS	Max. frequency in Hz for the output	500	1000	50	2	UIntegerT	R/W
0x0149	OUT1 Frequency Overflow	Overflow frequency in percent of the max frequency	1	100	0	1	UIntegerT	R/W
0x014A	OUT1 Frequency Value0Hz	Value from source used for 0 Hz scaling point	0.0	OUT1 Frequency ValueMaxHz	MRS	4	FloatT	R/W
0x014E	OUT1 Frequency ValueMaxHz	Value from source used for max. Hz scaling point	100.0	MRE	OUT1 Frequency Value0Hz	4	FloatT	R/W
0x0152	OUT1Ctrl Function	Controlinputfunction -> Off or Memoryreset	0	(0) - Off (1) - Memoryreset		1	UIntegerT	R/W
Output 2								
0x0163	OUT2Source	Source for the output	0	(0) - Flow (1) - Volume (3) - Part Volume		1	UIntegerT	R/W
0x0164	OUT2Type	Configuration of the output -> 0-20mA, Pulse, Frequency, etc.	0	(0) - disabled (1) - Alarm Output (2) - 4-20mA (3) - 0-20mA (4) - 2-10V (5) - 0-10V (6) - Pulse Output (7) - Frequency Output		1	UIntegerT	R/W
0x0165	OUT2Alarm Function	Limit or window function for the alarm output	0	(0) - Limit (1) - Window		1	UIntegerT	R/W
0x0166	OUT2Alarm OutputType	Alarm output NPN, PNP or PushPull	0	(0) - NPN (1) - PNP (2) - PushPull		1	UIntegerT	R/W

Index [hex]	Name	Description	Factory default	Max Value	Min Value	Length [Bytes]	Data Type	Access
0x0167	OUT2Alarm SwitchFunction	Alarm output normally opened or closed	0	(0) - normally opened (1) - normally closed		1	UIntegerT	R/W
0x0168	OUT2Alarm Threshold	Threshold for the alarmoutput	1.0	MRE	MRS	4	FloatT	R/W
0x016C	OUT2Alarm Lower Threshold	Threshold for the alarm output used by the window function	1.0	OUT2AlarmT hreshold	MRS	4	FloatT	R/W
0x0170	OUT2Alarm Hysteresis	Switching hysteresis for the alarm output	1.0	9999.0	-9999.0	4	FloatT	R/W
0x0174	OUT2Alarm Suppression Factor	How many times the threshold must be hit in order to switch the alarm output	0	60	0	1	UIntegerT	R/W
0x0175	OUT2Alarm Suppression Direction	for which direction the suppression factor is used	0	(0) - Up (1) - Down (2) - Both		1	UIntegerT	R/W
0x0176	OUT2Analog Namur Standard	If enabled (1) the analog output conforms to the NAMUR Standard NE42. If disabled (0) the analog output stays in his equivalent range (e.g. 4-20mA)	1	(0) - NAMUR disabled (1) - NAMUR enabled		1	UIntegerT	R/W
0x0177	OUT2Analog Value0mA	The value from the slot used for the 0mA scaling point	0.0	OUT2Analog Value20mA	MRS	4	FloatT	R/W
0x017B	OUT2Analog Value4mA	The value from the slot used for the 4mA scaling point	0.0	OUT2Analog Value20mA	MRS	4	FloatT	R/W
0x017F	OUT2Analog Value20mA	The value from the slot used for the 20mA scaling point	100.0	MRE	OUT2Analog Value0mA	4	FloatT	R/W

Index [hex]	Name	Description	Factory default	Max Value	Min Value	Length [Bytes]	Data Type	Access
0x0183	OUT2Analog Value0V	The value from the slot used for the 0V scaling point	0.0	OUT2Analog Value10V	MRS	4	FloatT	R/W
0x0187	OUT2Analog Value2V	The value from the slot used for the 2V scaling point	0.0	OUT2Analog Value10V	MRS	4	FloatT	R/W
0x018B	OUT2Analog Value10V	The value from the slot used for the 10V scaling point	100.0	MRE	OUT2Analog Value0V	4	FloatT	R/W
0x018F	OUT2Pulse Volume	The volume represented by one pulse	1.0	999.9	0.0	4	FloatT	R/W
0x0193	OUT2Pulse VolumeUnit	Unit used for the pulse output	1	(0) - USER (1) - L (2) - mL (3) - m3 (4) - gal US (5) - gal UK (6) - Barrel		1	UIntegerT	R/W
0x0194	OUT2Pulse VolumeUnit User	User Unit used for the pulse output	1.0	9999.9	0.0	4	FloatT	R/W
0x0198	OUT2Pulse Width	The width of each pulse	1	20000	1	2	UIntegerT	R/W
0x019A	OUT2 FrequencyatFS	The max. frequency in Hz for the output	500	1000	50	2	UIntegerT	R/W
0x019C	OUT2 FrequencyOverflow	The overflow frequency in percent of the max frequency	1	100	0	1	UIntegerT	R/W
0x019D	OUT2 FrequencyValue0 Hz	The value from the slot used for the 0Hz scaling point	0.0	OUT2 Frequency ValueMaxHz	MRS	4	FloatT	R/W
0x01A1	OUT2 Frequency ValueMaxHz	The value from the slot used for the max Hz scaling point	100.0	MRE	OUT2 Frequency Value0Hz	4	FloatT	R/W

Index [hex]	Name	Description	Factory default	Max Value	Min Value	Length [Bytes]	Data Type	Access
Dosing								
0x01B6	DosingValue	Dosingvalue	0.0	9999.9	0.0	4	FloatT	R/W
0x01BA	Dosing Correction Value	Correction value which is added to the dosing value for the complete dosing counter	0.0	Dosing Value	minus Dosing Value	4	FloatT	R/W
0x01BE	DosingUnit	Unit used for the dosing function	1	(0) - USER (1) - L (2) - mL (3) - m3 (4) - gal US (5) - gal UK (6) - Barrel		1	UIntegerT	R/W
0x01BF	DosingUnitUser	User Unit used for the dosing function	1.0	9999.9	0.0	4	FloatT	R/W
0x01C3	DosingTimeout	Timeout in seconds for no flow	0.5	10.0	0.5	4	FloatT	R/W
0x01C7	DosingCounter	Saved dosing volume counter stats	0.0	999999.0	-999999.0	4	FloatT	R
Service								
0x01CB	ServiceUser Password	Password for user service menu and main menu	0	99999	0	4	UIntegerT	R/W
0x01CF	ServiceUser MenuLocked	Whether main menu is locked or not	0	(0) - not locked (1) - locked		1	UIntegerT	R/W
0x01D0	SimulationAutoStop	Auto stop for Simulation after time in minute	10	31	1	1	UIntegerT	R/W
Misc								
0x01D2	Language Selection	Language selection	0	(0) - English (1) - German (2) - French (3) - Spanish		1	UIntegerT	R/W
0x0262	Operating HoursCount	Operating hours counter	0	4294967296	0	4	UIntegerT	R

MIS

Index [hex]	Name	Description	Factory default	Max Value	Min Value	Length [Bytes]	Data Type	Access
Flow								
0x02F6	CutOff	Cut off for flow value	0.0	MRE	0.0	4	FloatT	R/W
0x02FA	Unit	Unit used for flow	1	(0) - USER (1) - L/m (2) - mL/m (3) - L/h (4) - m3/h (5) - galUS/m (6) - galUS/h (7) - galUK/m (8) - galUK/h		1	UIntegerT	R/W
0x02FB	UserUnit	User Unit used for flow	1.0	9999.9	0.0	4	FloatT	R/W
0x0314	SimMode	Mode of the Simulation: Static, Triangle or Monotonic	0	(0) - Static (1) - Triangle (2) - Monotonic		1	UIntegerT	R/W
0x0315	SimStartValue	Value to start with the simulation	0.0	9999.0	-9999.0	4	FloatT	R/W
0x0319	SimIncrement Value	Incrementation value of the simulation	10.0	999.0	-999.0	4	FloatT	R/W
0x031D	SimNumber Intervals	Number of intervals to simulation	20	65000	1	2	UIntegerT	R/W
0x031F	SimTimingIntervals	Timinig in ms between intervals	50	50000	50	2	UIntegerT	R/W
0x0321	ValueInSiUnit	Saved flow value in SI unit [L/min]	0.0	999999.0	-999999.0	4	FloatT	R
0x0325	MinValueInSi Unit	Saved min flow value in SI unit [L/min]	0.0	999999.0	-999999.0	4	FloatT	R
0x0329	MaxValueInSi Unit	Saved max flow value in SI unit [L/min]	0.0	999999.0	-999999.0	4	FloatT	R

Index [hex]	Name	Description	Factory default	Max Value	Min Value	Length [Bytes]	Data Type	Access
Volume								
0x0359	CountingType	counting type for a volume slot -> absolute or bidirectional	0	(0) - absolute (1) - bidirectional		1	UIntegerT	R/W
0x035E	Unit	Unit used for volume	1	(0) - USER (1) - L (2) - mL (3) - m3 (4) - gal US (5) - gal UK (6) - Barrel		1	UIntegerT	R/W
0x035F	UserUnit	User Unit used for volume	1.0	9999.9	0.0	4	FloatT	R/W
0x0385	ValueInSiUnit	Saved volume value in SI unit [L]	0.0	999999.0	-999999.0	4	FloatT	R
Part Volume								
0x0421	CountingType	counting type for a volume slot -> absolute or bidirectional	0	(0) - absolute (1) - bidirectional		1	UIntegerT	R/W
0x0426	Unit	Unit used for part volume	1	(0) - USER (1) - L (2) - mL (3) - m3 (4) - gal US (5) - gal UK (6) - Barrel		1	UIntegerT	R/W
0x0427	UserUnit	User Unit used for part volume	1.0	9999.9	0.0	4	FloatT	R/W
0x0440	SimMode	Mode of the Simulation: Static, Triangle or Monotonic	0	(0) - Static (1) - Triangle (2) - Monotonic		1	UIntegerT	R/W
0x0441	SimStartValue	Value to start with the simulation	0.0	9999.0	-9999.0	4	FloatT	R/W
0x0445	SimIncrement Value	Incrementation value of the simulation	10.0	999.0	-999.0	4	FloatT	R/W
0x0449	SimNumber Intervals	Number of intervals to simulation	20	65000	1	2	UIntegerT	R/W

MIS

Index [hex]	Name	Description	Factory default	Max Value	Min Value	Length [Bytes]	Data Type	Access
0x044B	SimTiming Intervals	Timinig [ms] between intervals	50	50000	50	2	UIntegerT	R/W
0x044D	ValueInSiUnit	Saved part volume value in SI unit [L]	0.0	999999.0	-999999.0	4	FloatT	R

Legend

MRE Measuring Range End

MRS Measuring Range Start

18. Manufacturer's Declaration



MANUFACTURER'S DECLARATION OF CONFORMITY



We:

Kobold Messring GmbH
Nordring 22-24
65719 Hofheim
Germany

declare under our own responsibility that the product(s):

MIS-1*** (IO-Link Device)**

to which this declaration refers conform to:

- IO-Link Interface and System Specification, V1.1, July 2013 (NOTE 1,2)
- IO Device Description, V1.1, August 2011
- IO-Link Interface and System Specification, V1.0, January 2009 (NOTE 1)
- IO Device Description, V1.0.1, March 2010

The conformity tests are documented in the test report:

IO-Link_Device_TestReport_MIS_190301.pdf

Issued at Hofheim, 02.07.2019

Harald Peters
General Manager

Manfred Wenzel
Proxy Holder

Reproduction and all distribution without written authorization prohibited

NOTE 1 Relevant Test specification is V1.1, July 2014

NOTE 2 Additional validity in Corrigendum Package 2015

19. EU Declaration of Conformance

We, KOBOLD Messring GmbH, Hofheim-Ts, Germany, declare under our sole responsibility that the product:

Electromagnetic flowmeter

Model: MIS-...

to which this declaration relates is in conformity with the standards noted below:

EN 61326-1:2013 Electrical equipment for measurement, control and laboratory use - EMC requirements - Part 1: General requirements

EN 60529:2014 Degrees of protection provided by enclosures (IP Code)

EN 50581:2012 Technical documentation for the assessment of electrical and electronic products with respect to the restriction of hazardous substances

Also the following EC guidelines are fulfilled:

2014/30/EU

EMC Directive

2011/65/EU

RoHS (category 9)

2015/863/EU

Delegated Directive (RoHS III)



H. Peters
General Manager



M. Wenzel
Proxy Holder

Hofheim, 02 July 2019