

# LED Highbay



## LED Highbay NH101-102



### Features

- 105W / 150W LED Highbay - Hybrid Lamp
- 150W version is NOT recommended for enclosed reflector \*
- Universal AC 90-305V, PF> 0.9, THD< 20%
- 6kV surge protection
- 50° cutoff eliminates glare
- Dual functions:
  - direct retrofit existing magnetic ballast without removing ignitor and capacitor
  - ballast bypass direct AC connection
- Save inventory and installation costs
- Smart electronics provide over temperature protection
- “Batwing” shape creates even light distribution with low glare
- External reflector not required
- Fan-less design eliminates the weakest link and no fan noise
- 0 -10V dimming only operating under direct AC line voltage
- Occupancy and daylight sensor options only operating under AC line voltage with IR remote control
- Optional upgrade to Bluetooth control (North America only)
- Replace 400W / 600W HID Lamps
- Color Rendering Index: ≥80

### Materials / Finish

- Body : Anodized aluminium
- Optics : PC

### Installation / Mounting

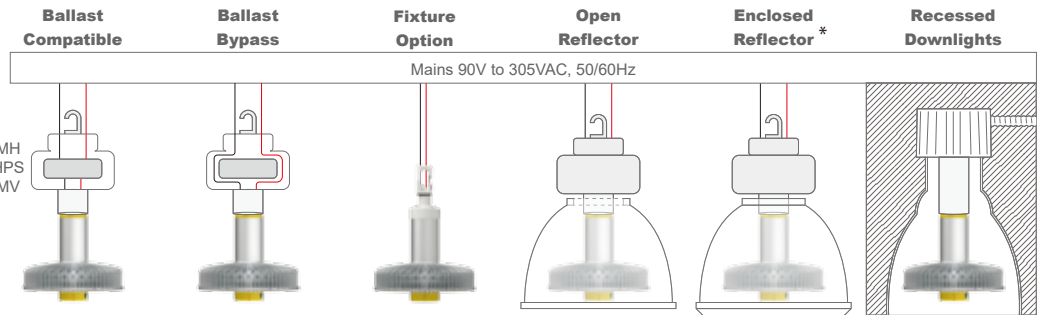
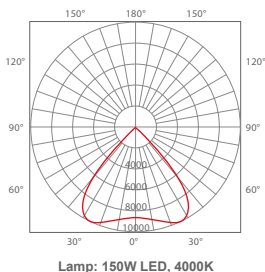
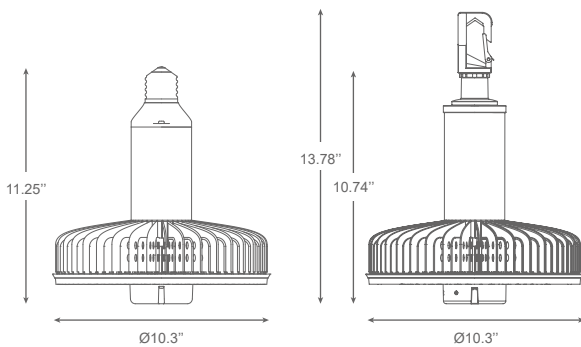
- EX39 base / Hook mount
- Integral gear unit allows quick and easy installation
- Vertical orientation only

### Standards

- IP20
- UL, FCC, DLC
- PSE
- Suitable for use in damp locations

### Ballast Compatibility List

- Metal Halide : M58, M59, M128, M131, M132, M135, M136, M138, M153, M154, M155, M172
- High Pressure Sodium : S50, S51, S66, S107
- Mercury Vapor : H33, H37



Model	Voltage	Wattage	Base	Color Temp	CRI (Ra)	Beam Angle	Lumen
NH101-105W/840	90 - 305V	105W	EX39 / Hook mount	4000K	≥80	90°	15000lm
NH101-105W/850	90 - 305V	105W	EX39 / Hook mount	5000K	≥80	90°	15000lm
NH102-150W/840*	90 - 305V	150W	EX39 / Hook mount	4000K	≥80	90°	20000lm
NH102-150W/850*	90 - 305V	150W	EV39 / Hook mount	5000K	≥80	90°	20000lm