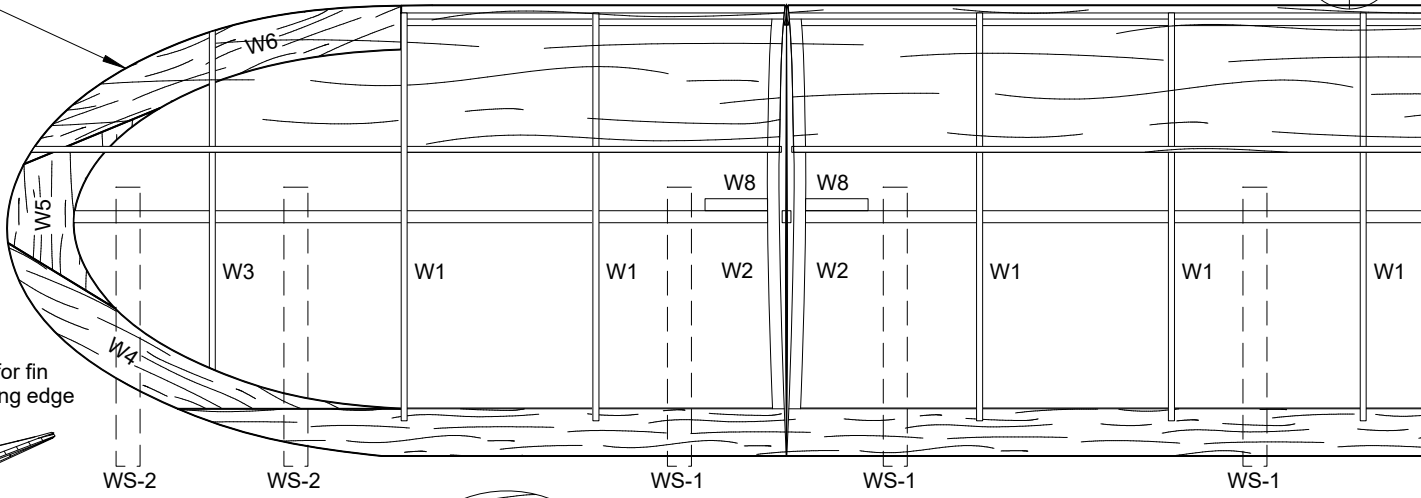


1/16"

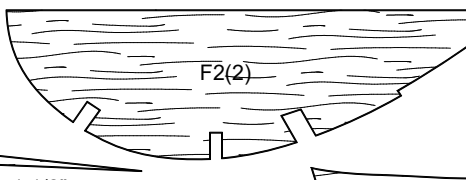
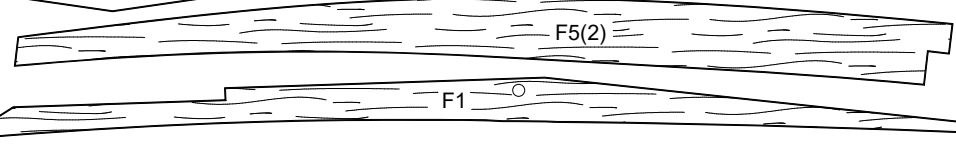


Slot for fin leading edge

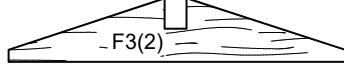
F2 Gluing Template

Wing LE Fairing (3)

1/16" Balsa

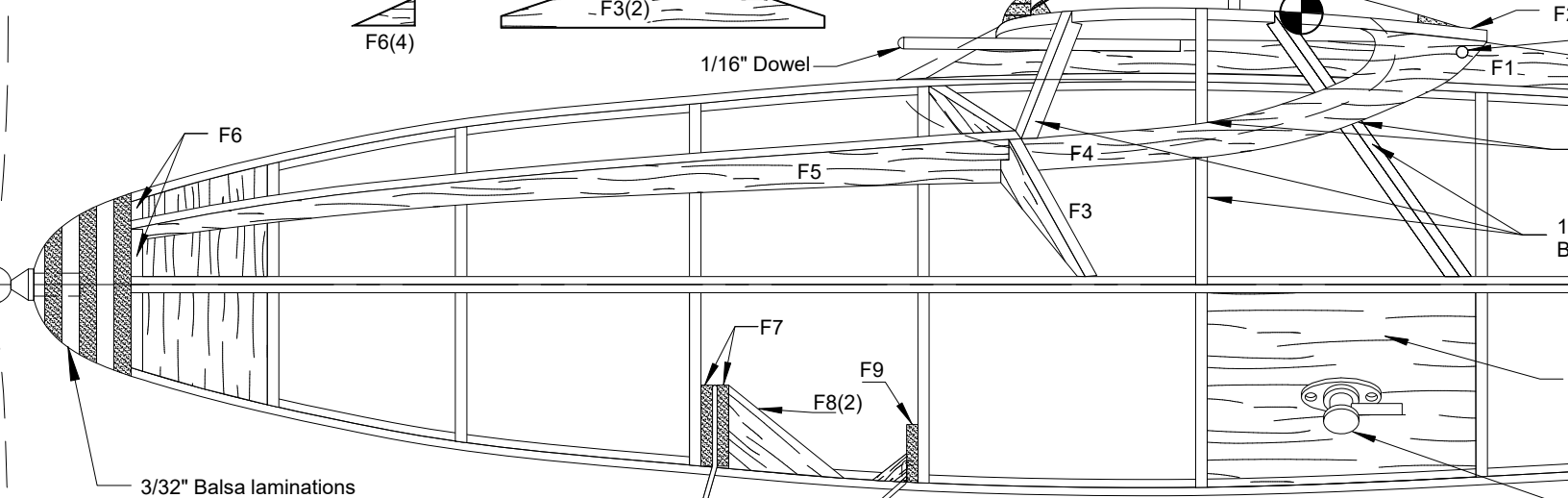


1/16" Balsa



1/16" Dowel

1 1/2"

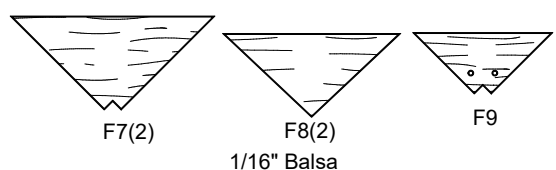
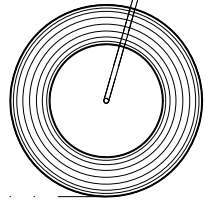


3/32" Balsa laminations

1/32" Balsa Fill

Wrap with thread and apply CA

1" Diameter wheels

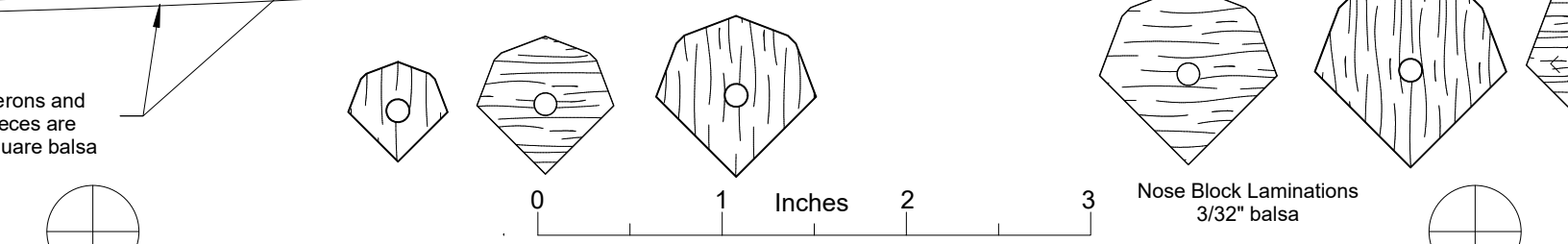
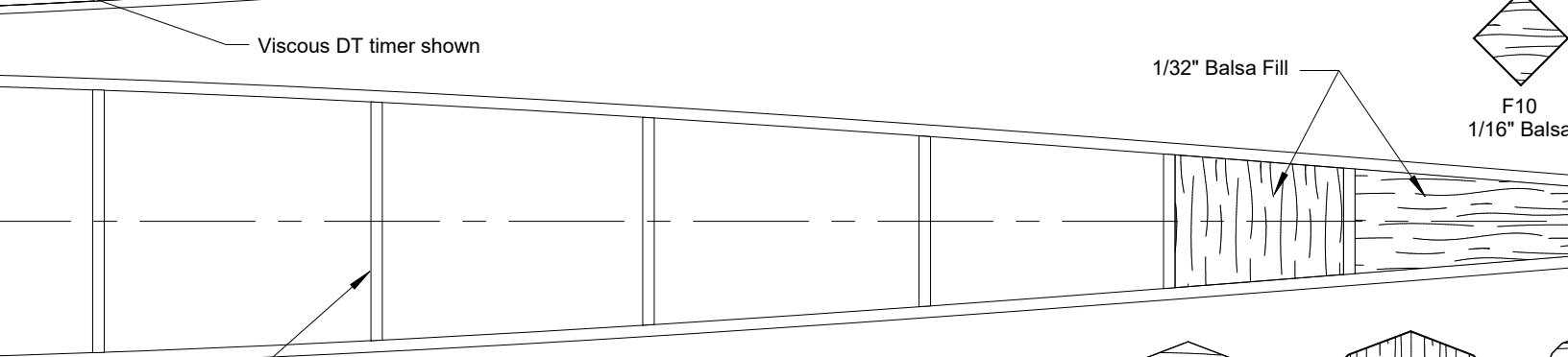
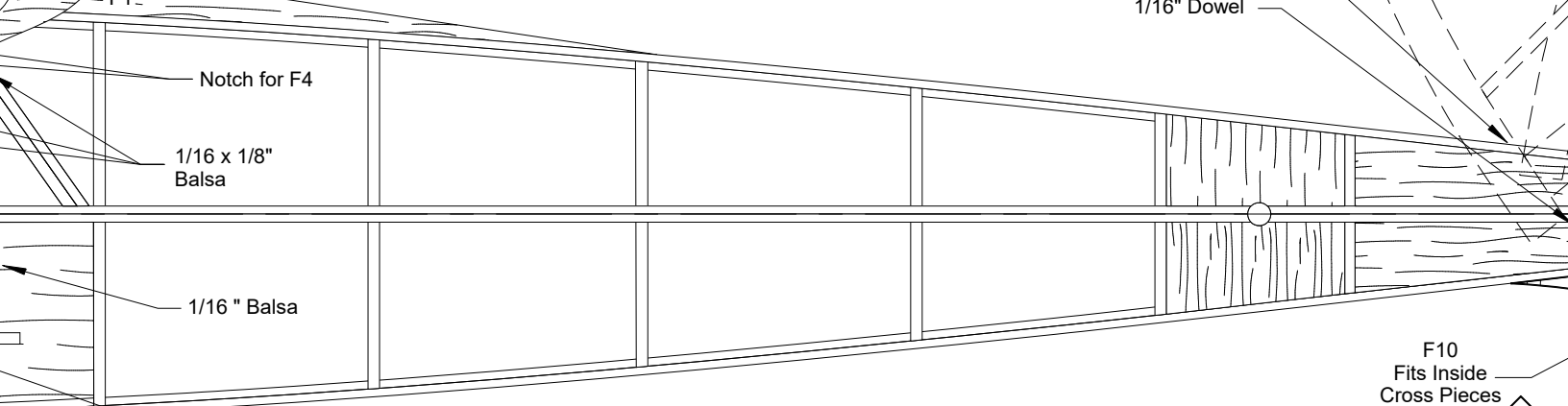
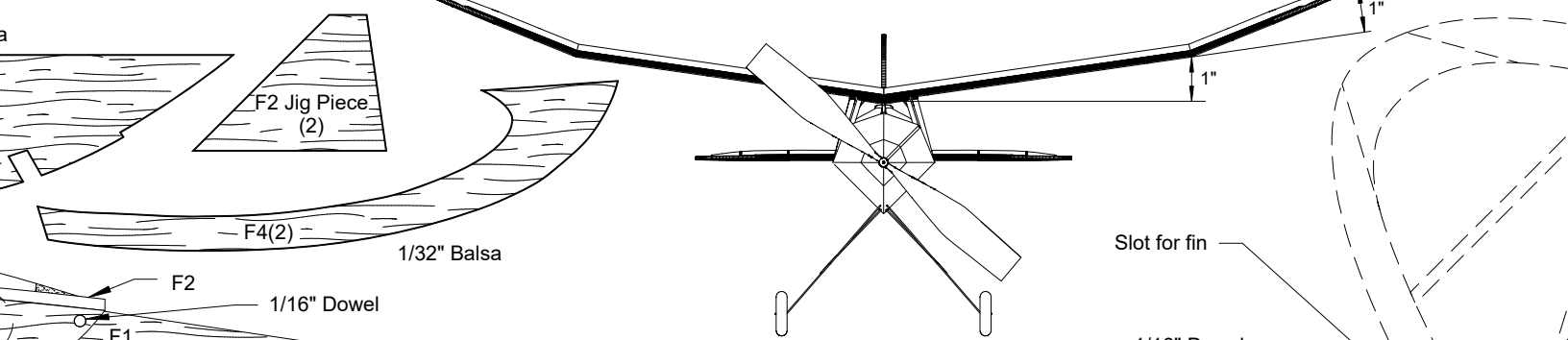
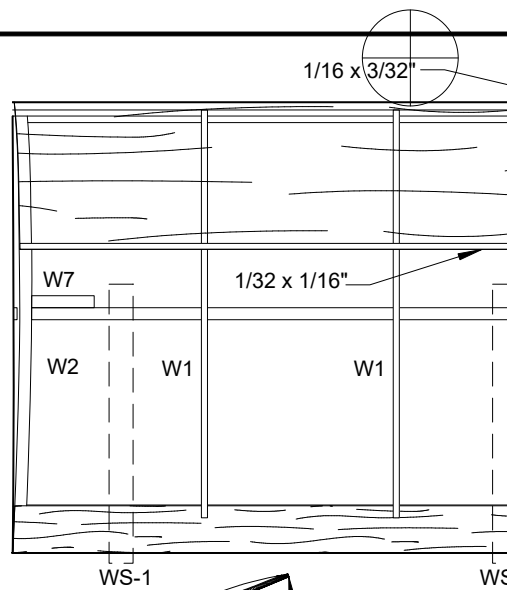
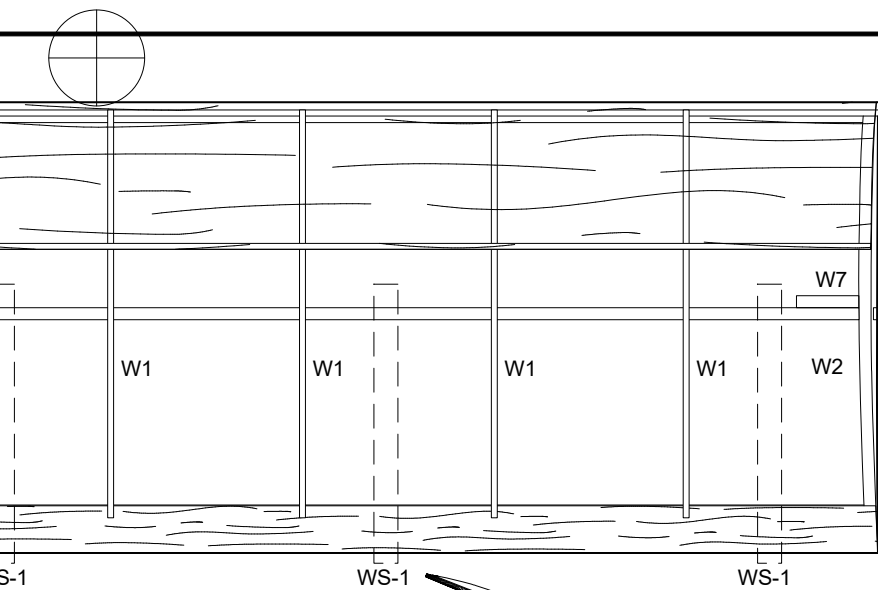


All longerons and cross pieces are 1/16" square balsa

F7(2)

F8(2)  
1/16" Balsa

F9



erons and  
eces are  
uare balsa

F10  
1/16" Balsa

Nose Block Laminations  
3/32" balsa

