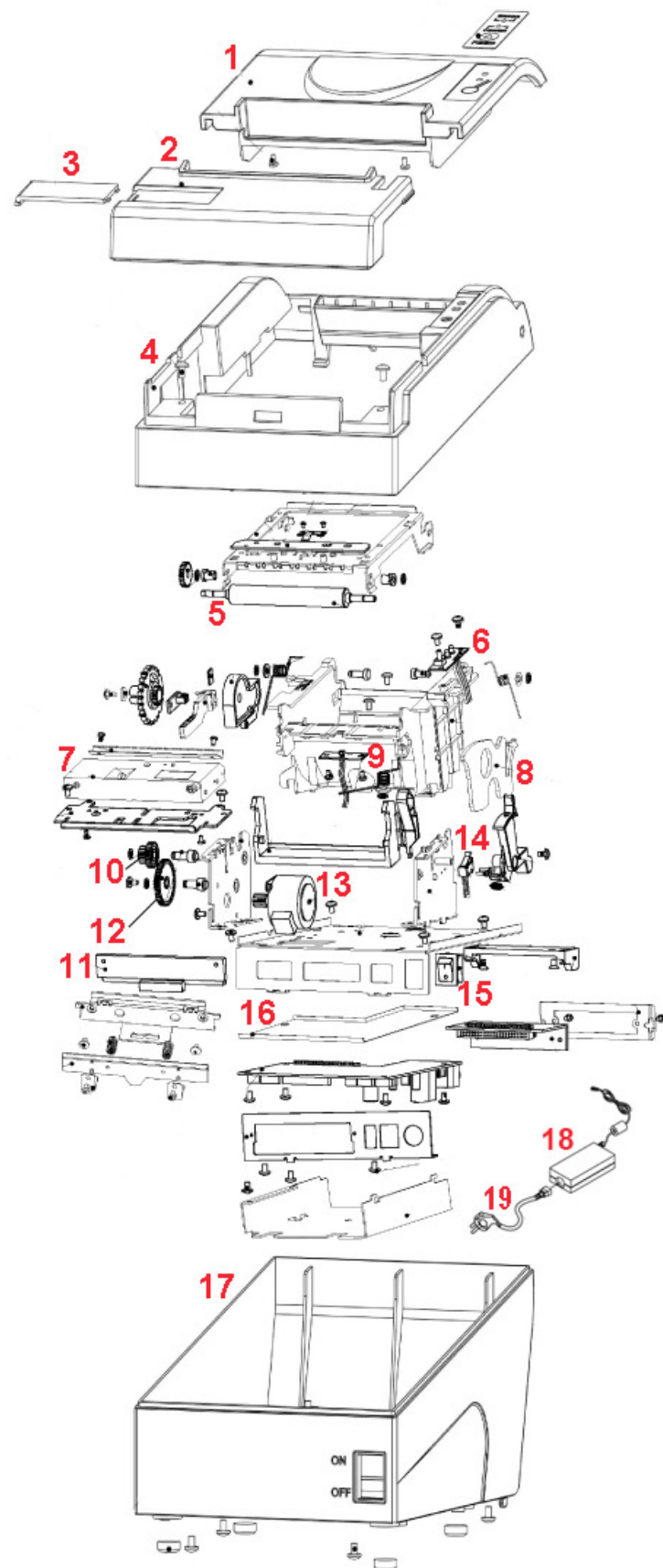


BTP-R880NP Replacement Parts



Ref. No.	CRS Item No.	Description
01	132185	Cover, Upper BTP-R880NP Black
02	132186	Cover, Cutter Black BTP-R880NP
03	132160-09813	Custom Logo Cvr M280/580-Zonal
04	132187	Cover, Middle Black BTP-R880NP
05	132480	Platen Roller, BTP-R880NP
06	132483	Board, Feed Button BTP-R880NP
07	132493	Auto Cutter Assy BTP-R880NP
08	132171	Paper Guide For BTP-R880NP
09	132479	Sensor, Paper Module BTP-R880NP
10	132442	Gear, Printer 27-18 BK-T080

Ref. No.	CRS Item No.	Description
11	501559	TPH, BTP-R880NP/580-II
12	417054	Gear, Transmission BTP-2002NP
13	417051	Motor, Step BTP-2002NP
14	132484	Switch, Micro BTP-R880NP
15	132482	Switch, Power Black R880NP/980/990
16	132481	Main Board, BTP-R880NP
17	132188	Cover, Bottom Black BTP-R880NP
18	132150	Power Supply BTP-2002/M280/R880NP
19	250014	Cord Power UL 6'