

DH-HAC-HDBW1200RN-VF

2Megapixel 1080P Vandal-proof IR HDCVI Dome Camera



Features

- 1/2.7" 2Megapixel CMOS
- 30fps@1080P
- High speed, long distance real-time transmission
- Day/Night(ICR), AWB, AGC, BLC, 2D-DNR
- 2.7~12mm vari-focal lens
- Max. IR LEDs length 30m, Smart IR
- IP67, IK10, DC12V

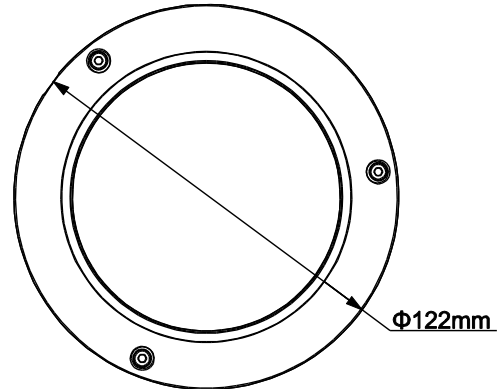
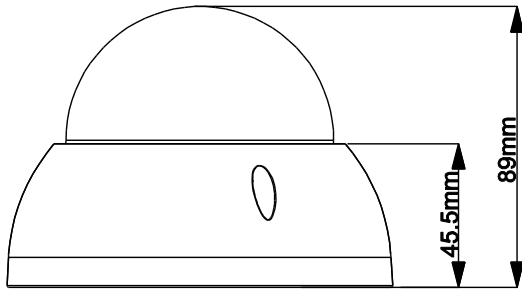
DH-HAC-HDBW1200RN-VF

Technical Specifications

Model	DH-HAC-HDBW1200RN-VF
Camera	
Image Sensor	1/2.7" 2Megapixel CMOS
Effective Pixels	1930(H)×1088(V)
Electronic Shutter	1/60s~1/100,000s
Video Frame Rate	30fps@1080P
Synchronization	Internal
Min. Illumination	0.01Lux@F1.2(AGC ON), 0Lux IR on
Video Output	1-channel BNC HDCVI high definition video output
Camera Features	
Max. IR LEDs Length	30m, Smart IR
Day/Night	Auto(ICR) / Color / B/W
Noise Reduction	2D
Lens	
Focal Length	2.7~12mm
Angle of View	H: 109° ~35°
Lens Type	Manual / Fixed Iris
Mount Type	Φ14
General	
Power Supply	DC12V±20%
Power Consumption	Max 5.8W
Working Environment	-30°C~+60°C / Less than 95%RH (no condensation)
Transmission Distance	Over 500m via 75-3 coaxial cable
Ingress Protection	IP67 & IK10
Dimensions	Φ122mm×89mm
Weight	0.45kg
Material	Metal

DH-HAC-HDBW1200RN-VF

Dimensions (mm)



Accessories (optional)

		
PFB203W	PFA137	PFA152

*Design and specifications are subject to change without notice.

© 2014 Dahua Technology