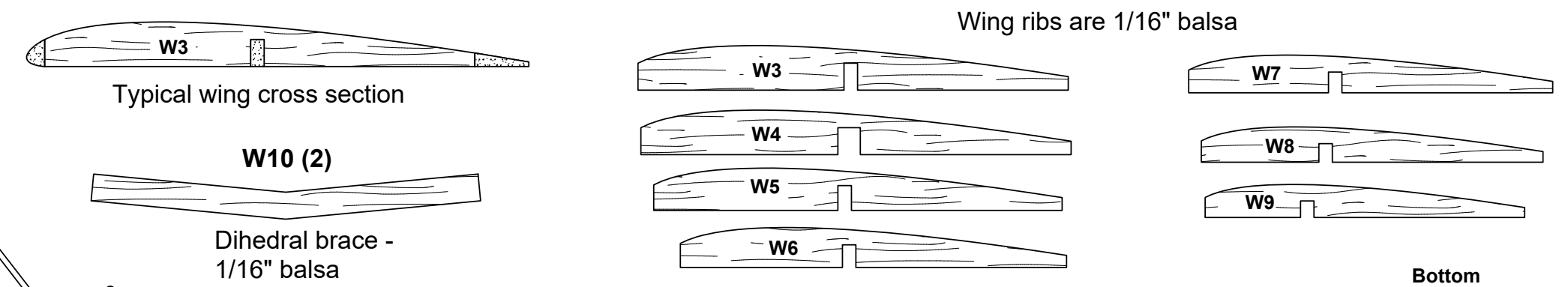
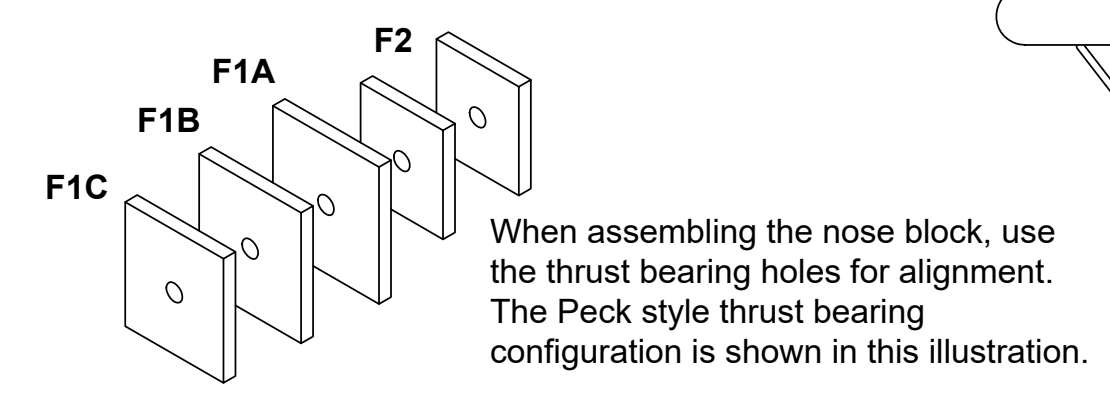
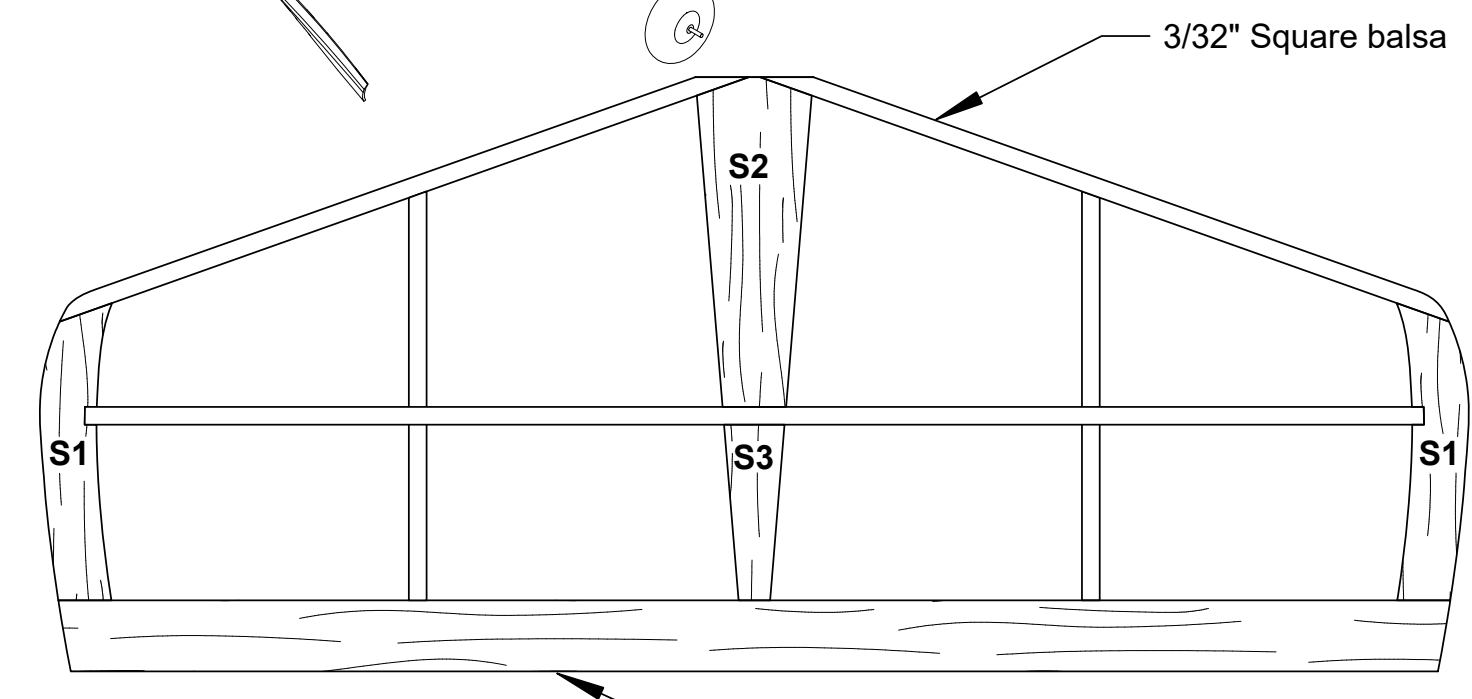
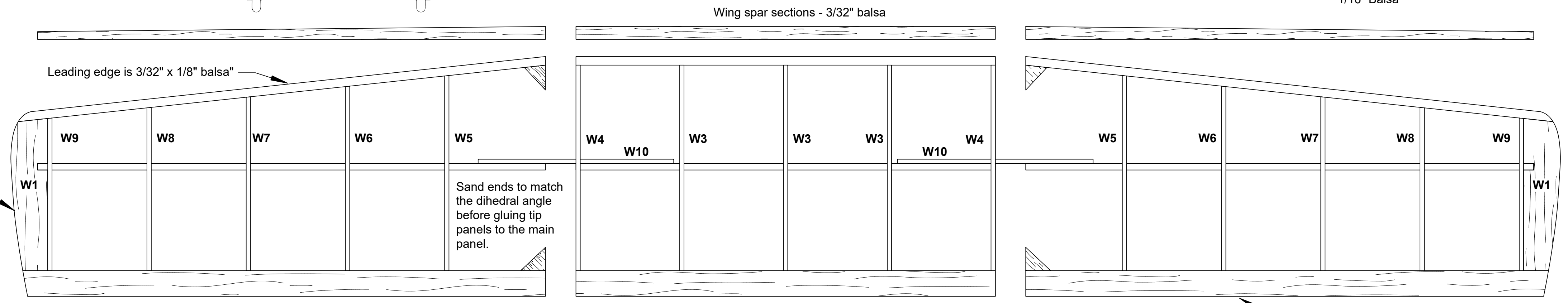
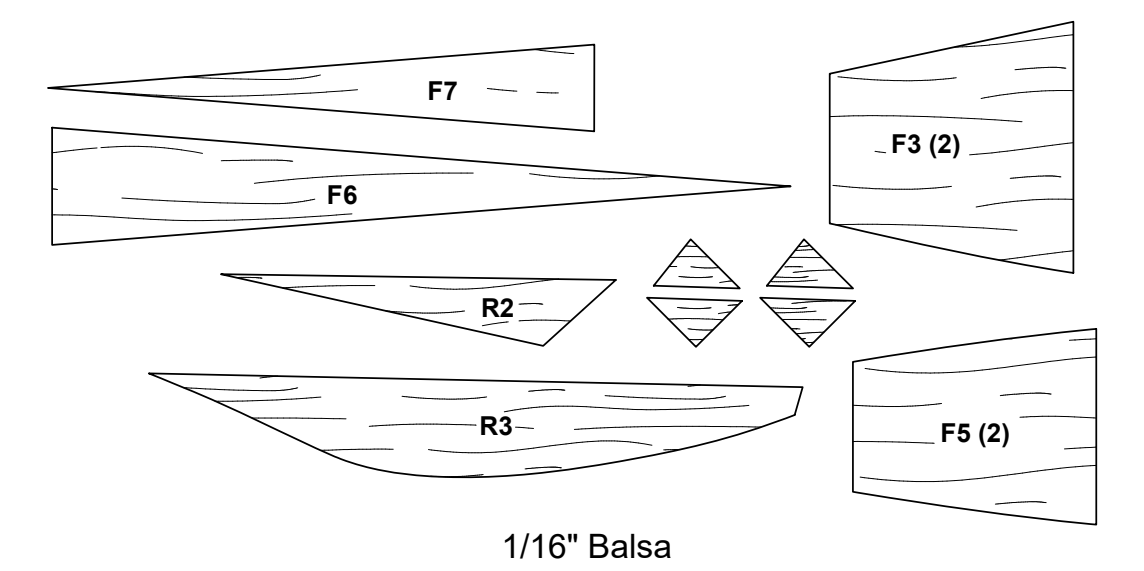


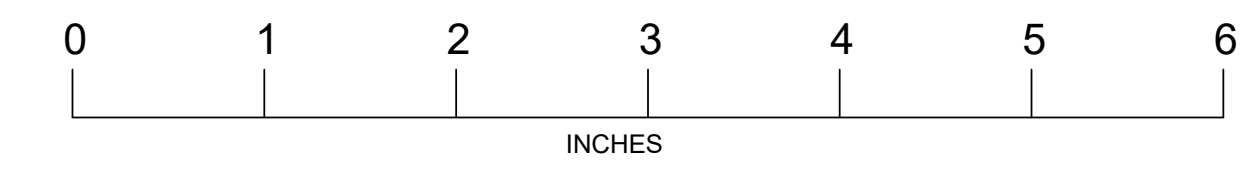
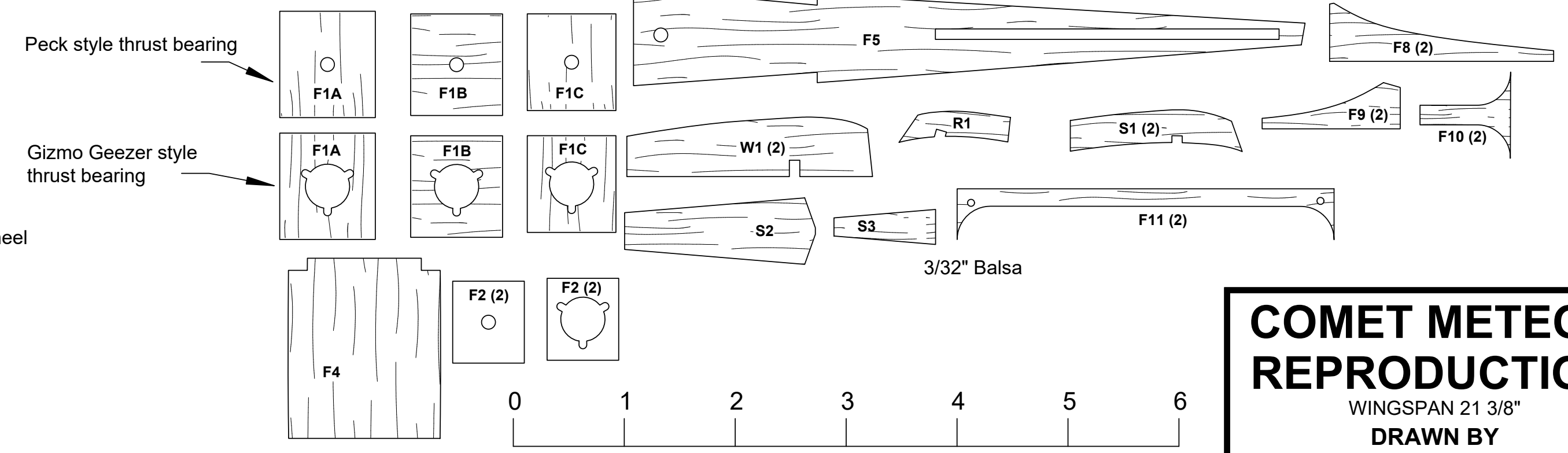
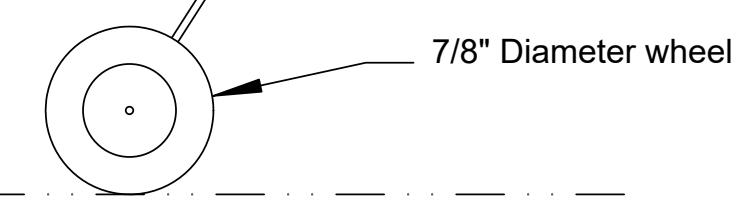
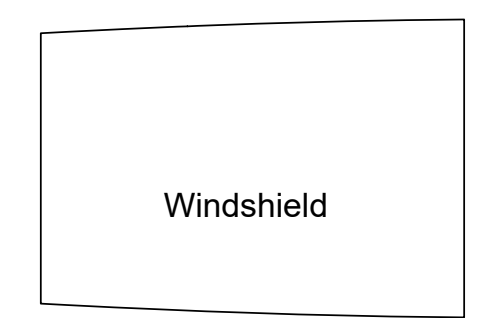
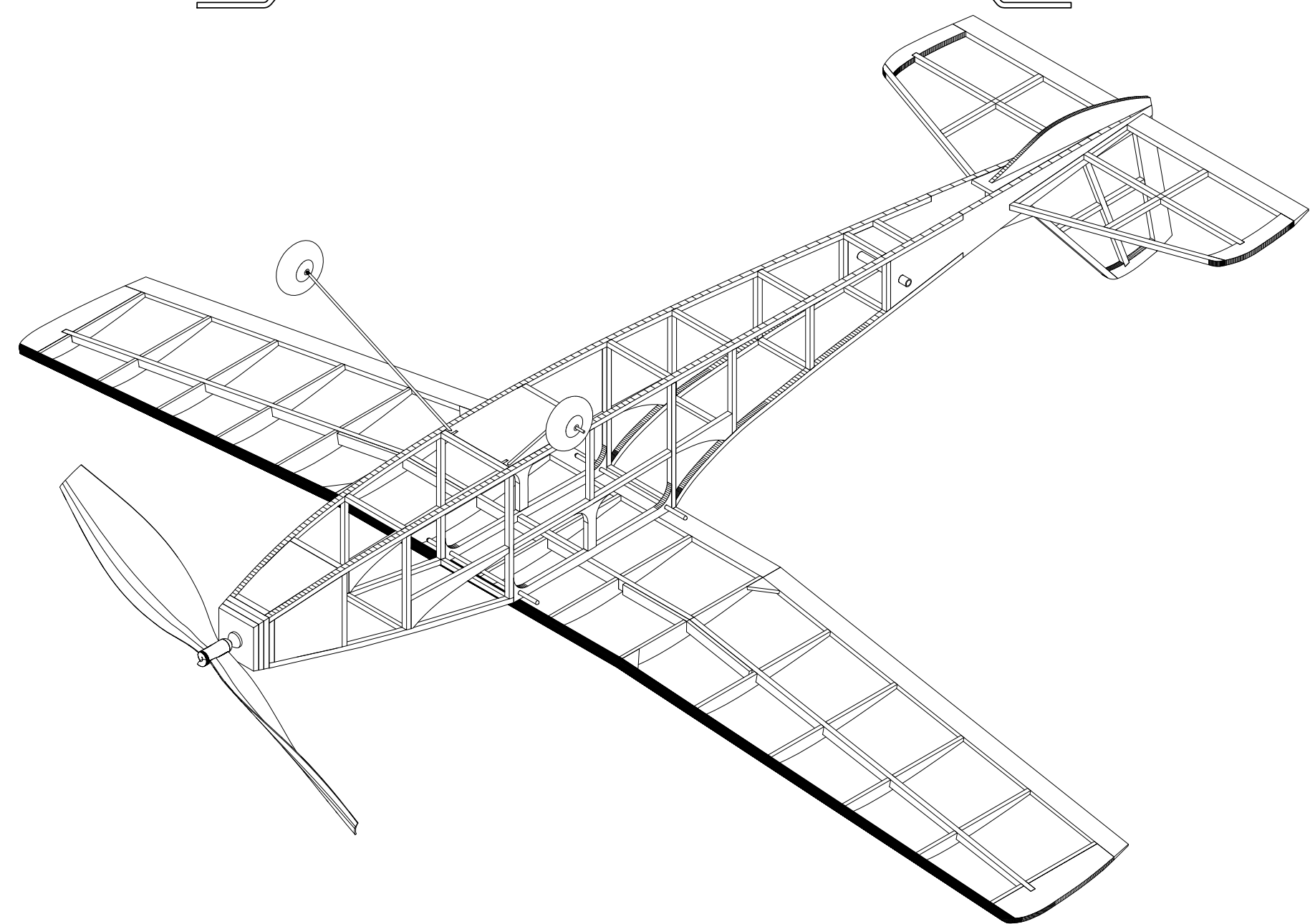
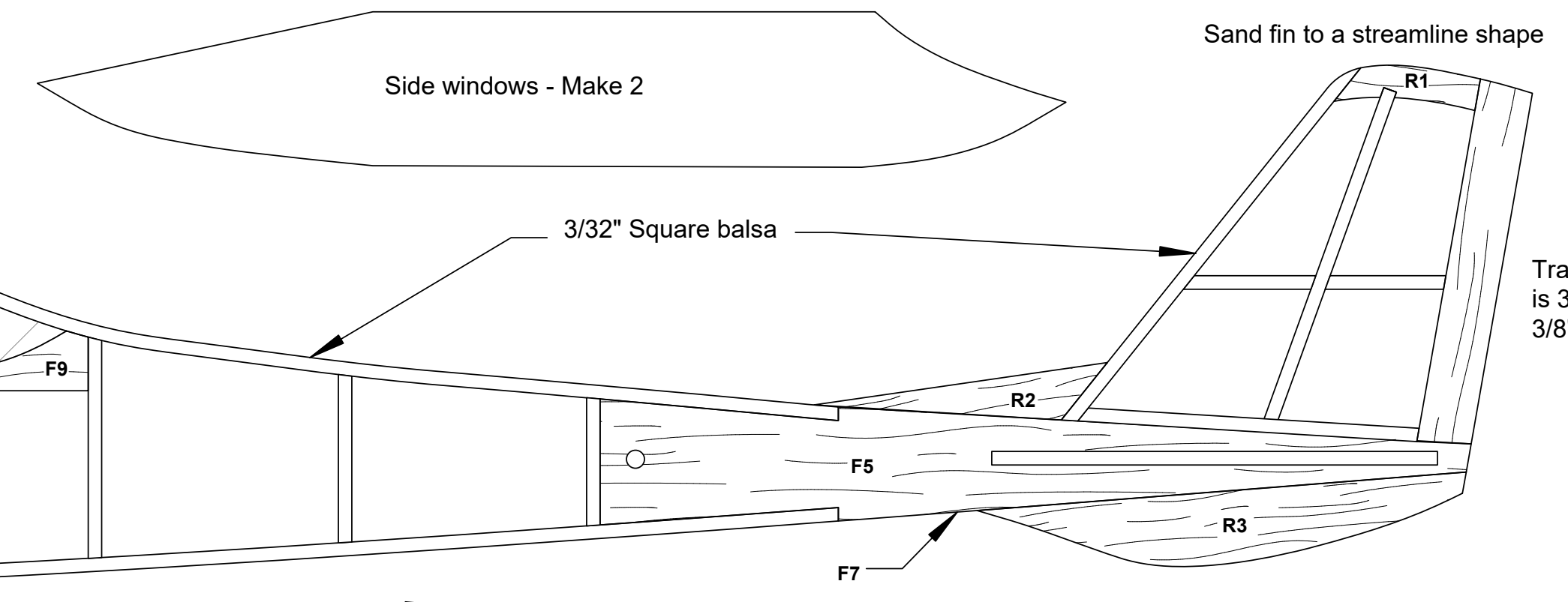
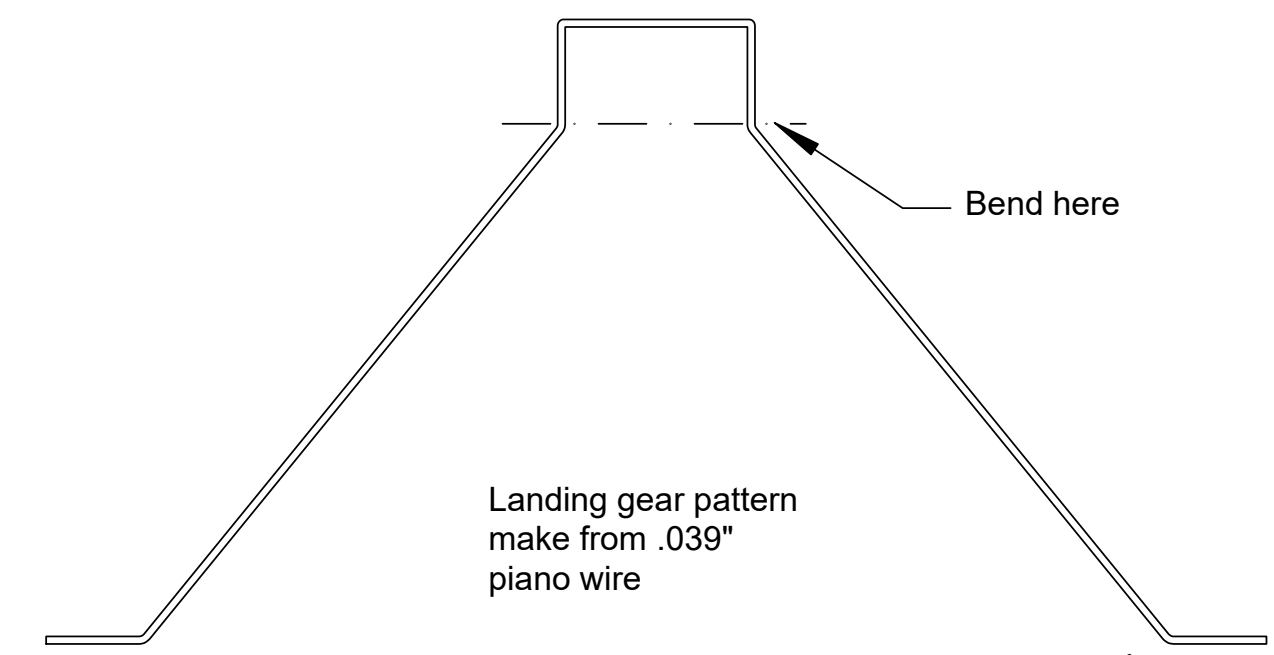
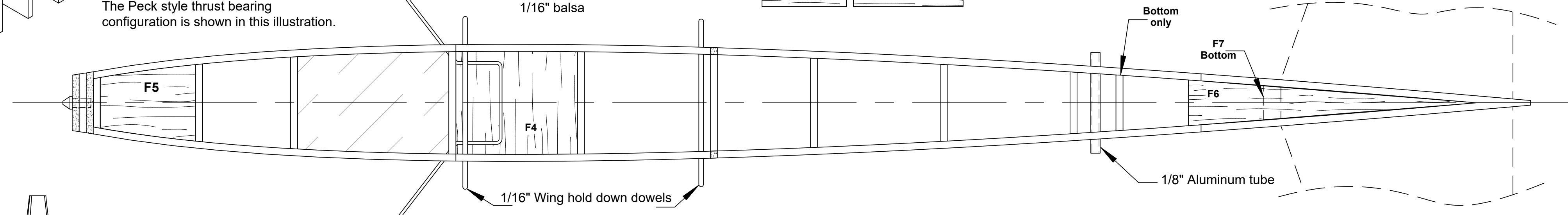
The Meteor was introduced by Comet in the 70's. It was the last new design offered before the company ceased operations.

The model is intended to be a sport model rather than one to be used for duration competition. The structure is more robust to make it easier to handle. The slightly heavier weight will reduce the chance that the model will be lost to a fly away in light to modest strength thermals, but will still allow for satisfying flights when light wood is selected for the structure.



Sand stab to a streamline shape

Trailing edge is 3/32" x 3/8" balsa"



COMET METEOR REPRODUCTION

WINGSPAN 21 3/8"

DRAWN BY PAUL BRADLEY