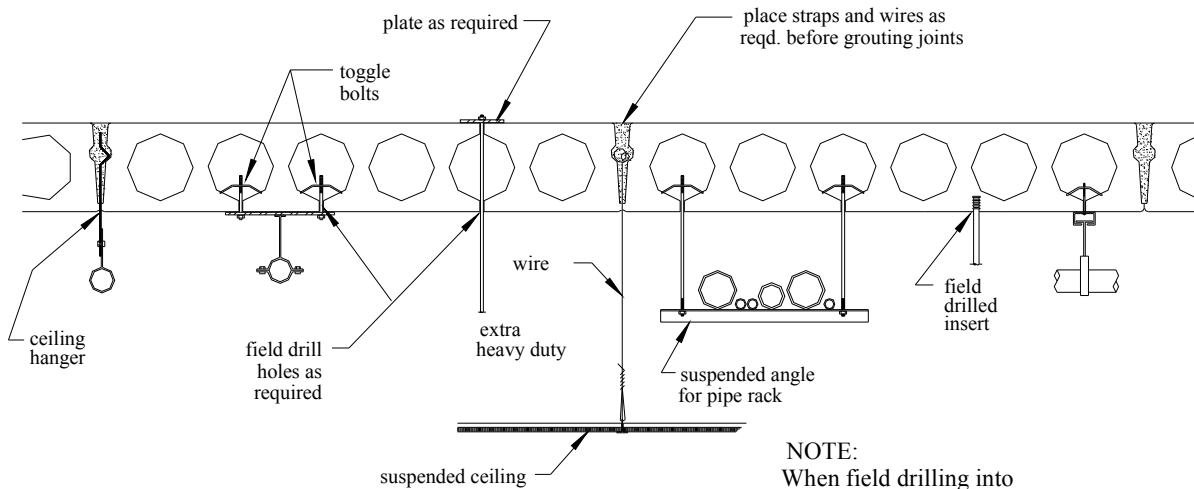


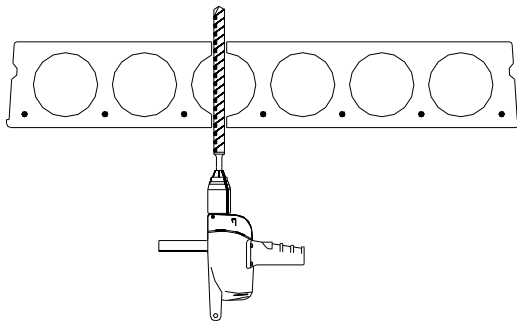
# HANGING OTHER CONSTRUCTION FROM COREFLOOR



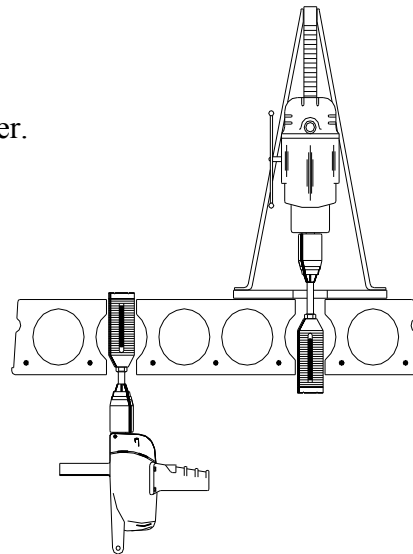
NOTE:  
When field drilling into COREFLOOR always check strand location so as NOT to contact prestressing steel.

# FIELD CUTTING OPENINGS THROUGH COREFLOOR

1. For ease of field cutting openings try to go through hollow cores.
2. Do NOT strike or cut any prestressing strands without permission of StresCore, Inc. and the Architect/Engineer.
3. There will be some spalling at the exit point of the tool through the COREFLOOR deck.



When field cutting openings up to 1" diameter a power drill or a star drill can be used.



When field cutting openings 1" to 6" diameter a core drill or a cutoff saw can be used.