

Addendum

No. ONE Date: 3-16-2020

PROJECT:

**RE-ROOFING AT PIEDMONT MIDDLE SCHOOL
FOR
THE PIEDMONT CITY BOARD OF EDUCATION
PIEDMONT, AL**

PROJECT NO. 19-275

DCM NO. 2020092

The following changes and/or substitutions to the plans and specifications are hereby made a part of same and are incorporated in full force as part of the contract.

Bidders shall acknowledge receipt of this Addendum in writing on his Proposal Form.

A1.1 GENERAL MODIFICATIONS:

A. Refer to the **Advertisement for bids, Change** as follows:

1. The sealed proposal as described above shall be received by Mr. Mike Hayes, Superintendent, at the Piedmont City Board of Education, Piedmont, Alabama, until **2:00 PM, Thursday, April 9, 2020**, then opened and read aloud.

A1.2 SPECIFICATION MODIFICATIONS:

A. NONE

A1.3 DRAWING MODIFICATIONS:

A. Include the attached Drawing dated **02.11.2020** as follows:

Sheet S1.1

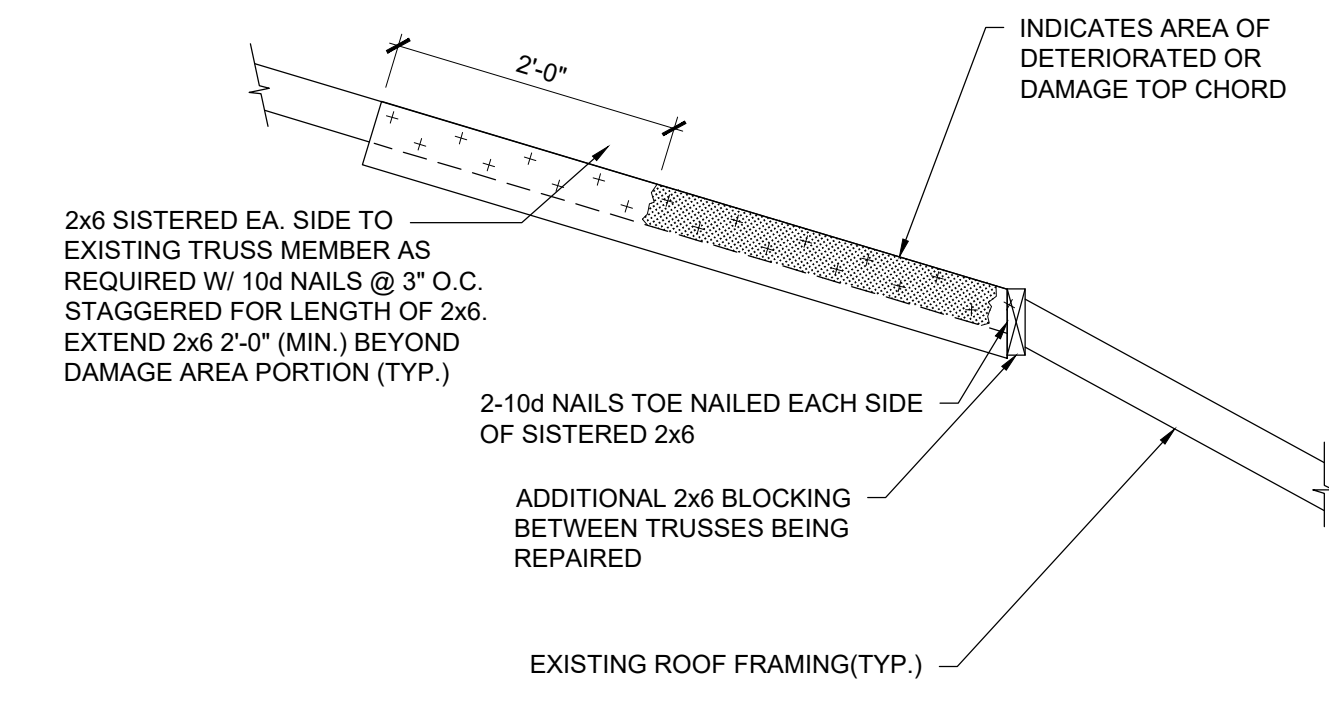
A1.4 CLARIFICATIONS & RESPONSES:

A. NONE

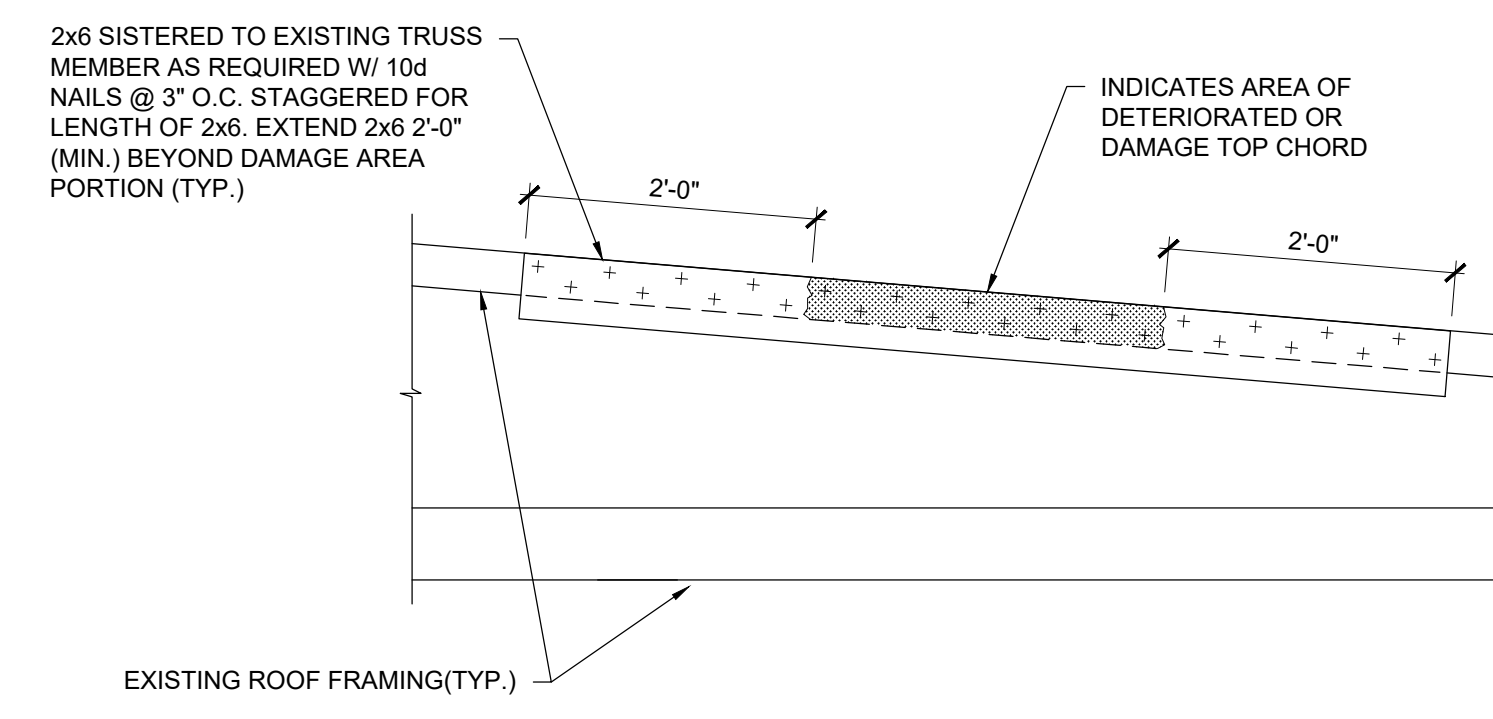
END OF ADDENDUM

GENERAL NOTES

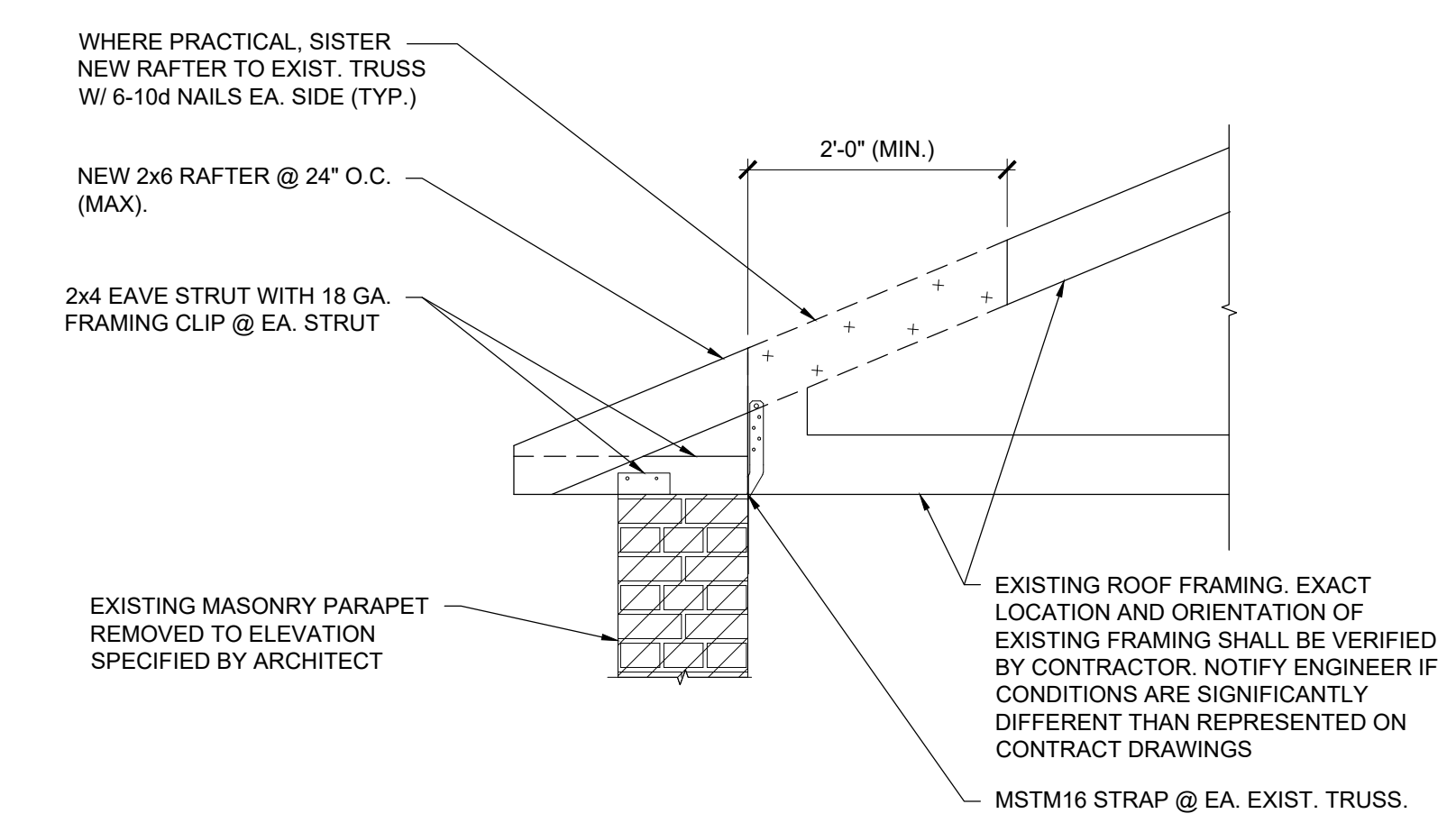
1. EXISTING CONDITIONS:
 - 1.1. PROJECT PLANS HAVE BEEN DEVELOPED FROM A VISUAL EXAMINATION OF THE EXISTING BUILDING AND/OR PROJECT PLANS PROVIDED BY THE ARCHITECT. ACTUAL CONDITIONS MAY VARY. CONTRACTOR SHALL VERIFY ALL DIMENSIONS AND DETAILS RELATED TO EXISTING CONSTRUCTION AND MAKE MINOR ADJUSTMENTS AS REQUIRED. REPORT SIGNIFICANT DIFFERENCES TO ARCHITECT/ENGINEER.
2. TIMBER FRAMING AND SHEATHING
 - 2.1. WOOD FRAMING MEMBERS SHALL BE MINIMUM NO 2 SOUTHERN YELLOW PINE OR EQUIVALENT.
 - 2.1.1. $F_b = 1200$ PSI
 - 2.1.2. $E = 1,900,000$ PSI
 - 2.2. WHERE TWO-PLY OR MORE ARE INDICATED TO BE USED TOGETHER, THEY SHALL BE FASTENED BY WOOD GLUING AND NAILING 3 ROWS OF 16d NAILS @ 12" O.C. EACH SIDE FOR THE ENTIRE LENGTH OF THE MEMBER.
 - 2.3. UNLESS OTHERWISE NOTED, ALL MEMBER CONNECTIONS SHALL HAVE STANDARD GALVANIZED METAL FRAMING ANCHORS OR CLIPS CONNECTING MEMBERS CARRYING ANY COMBINATION OF DEAD, LIVE, AND WIND LOADS
3. DESIGN LOADS:
 - 3.1. LIVE LOADS:
 - 3.1.1. ROOF _____ 20 PSF (REDUCIBLE)
 - 3.2. DEAD LOADS
 - 3.2.1. ROOF _____ 10 PSF
 - 3.3. WIND LOAD:
 - 3.3.1. DESIGN CODE _____ ASCE 7-10
 - 3.3.2. DESIGN ANALYSIS PROCEDURE _____
 - 3.3.2.1. MAIN WIND FORCE RESISTING SYSTEM _____ DIRECTIONAL PROCEDURE
 - 3.3.3. DESIGN WIND SPEED (ULT. 3 SEC GUST) _____ 119 MPH
 - 3.3.4. OCCUPANCY CATEGORY _____ III
 - 3.3.5. WIND EXPOSURE CATEGORY _____ B
 - 3.3.6. INTERNAL PRESSURE COEFFICIENTS _____ +/- 0.18
 - 3.4. SEISMIC LOAD:
 - 3.4.1. SEISMIC USE GROUP _____ III
 - 3.4.2. SEISMIC IMPORTANCE FACTOR (I_e) _____ 1.00
 - 3.4.3. MAPPED SPECTRAL RESPONSE ACCELERATION:
 - 3.4.3.1. S_s _____ 0.252
 - 3.4.3.2. S_1 _____ 0.103
 - 3.4.4. SITE CLASS _____ D
 - 3.4.5. SPECTRAL RESPONSE COEFFICIENTS:
 - 3.4.5.1. S_{ds} _____ 0.269
 - 3.4.5.2. S_{d1} _____ 0.164
 - 3.4.5.3. SEISMIC DESIGN CATEGORY _____ C
4. APPLICABLE CODES
 - 4.1. INTERNATIONAL BUILDING CODE 2015
 - 4.2. AMERICAN SOCIETY OF TESTING AND MATERIALS
 - 4.3. AMERICAN PLYWOOD ASSOCIATION



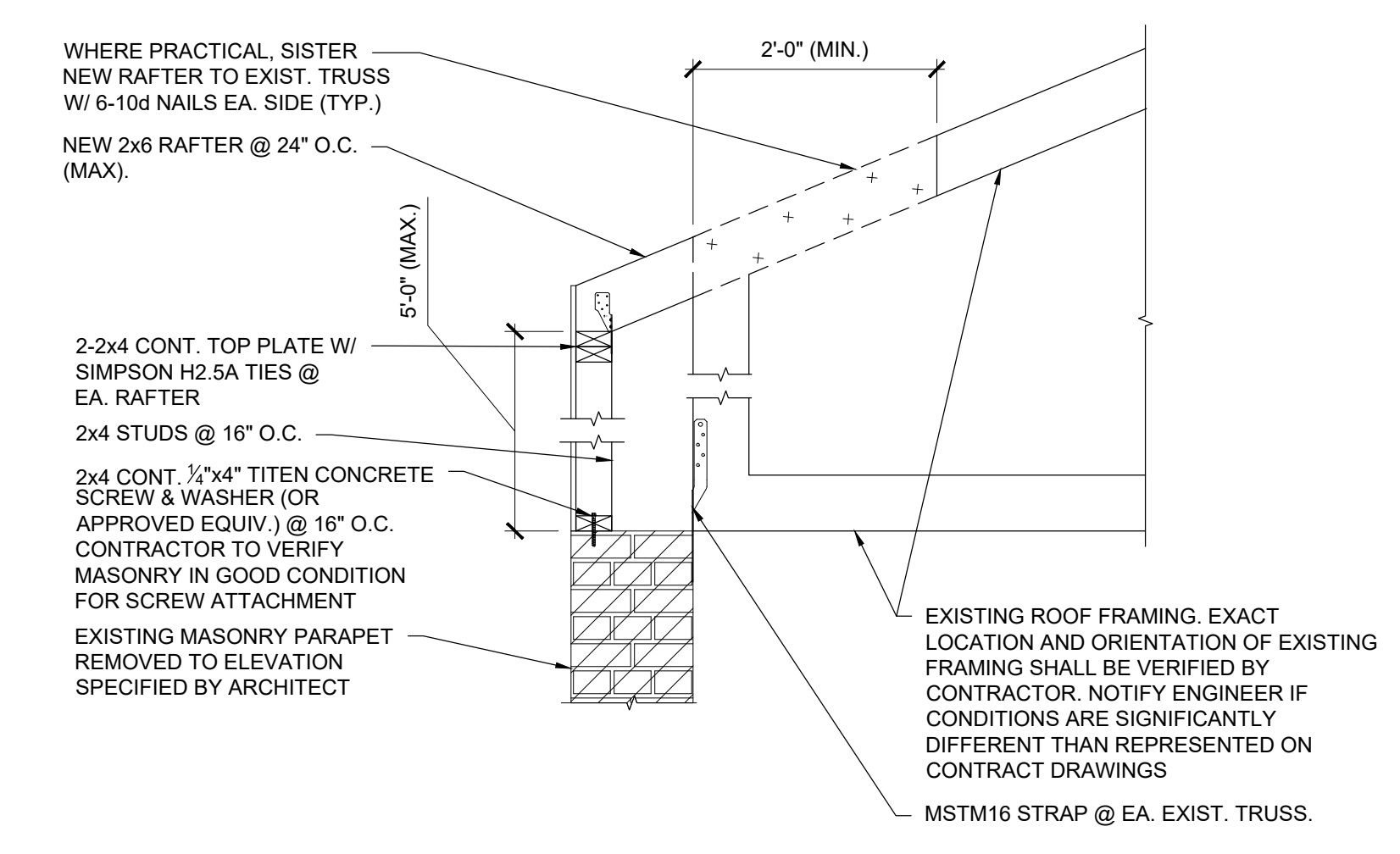
1 TRUSS REPAIR DETAIL CONDITION A
 S1.1 SCALE: 3/4" = 1'-0"



2 TRUSS REPAIR DETAIL CONDITON B
 S1.1 SCALE: 3/4" = 1'-0"



3 TRUSS REPAIR DETAIL (SEE PMG 1)
 S1.1 SCALE: 3/4" = 1'-0"



4 TRUSS REPAIR DETAIL (SEE PMG 2)
 S1.1 SCALE: 3/4" = 1'-0"

Re-roofing Project
 AT
PIEDMONT MIDDLE SCHOOL
 FOR THE
Piedmont City Board of Education
 Piedmont, ALABAMA

MCKEE and ASSOCIATES
 ARCHITECTURE and INTERIOR DESIGN
 631 SOUTH HULL STREET MONTGOMERY, ALABAMA 36104 (334) 834-9833

SHEET TITLE : ROOF FRAMING DETAILS AND GENERAL NOTES
 MCKEE JOB # : 19-275
 DRAWN BY : TNS
 DATE : 02.11.2020
 REVISED DATE :
 REVISED DATE :
 REVISED DATE :



WD
 WEATHERFORD & DAY
 ENGINEERS
 8150 OLD FEDERAL ROAD
 MONTGOMERY, AL 36117
 334.277.5550

SHEET NO. : **S1.1**