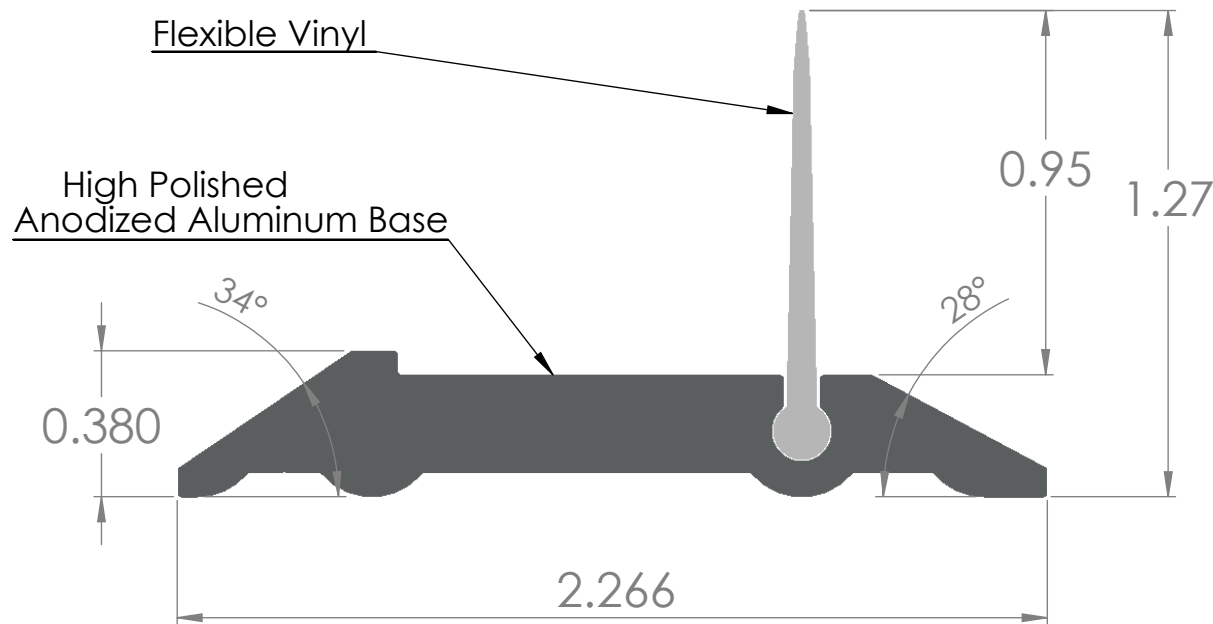
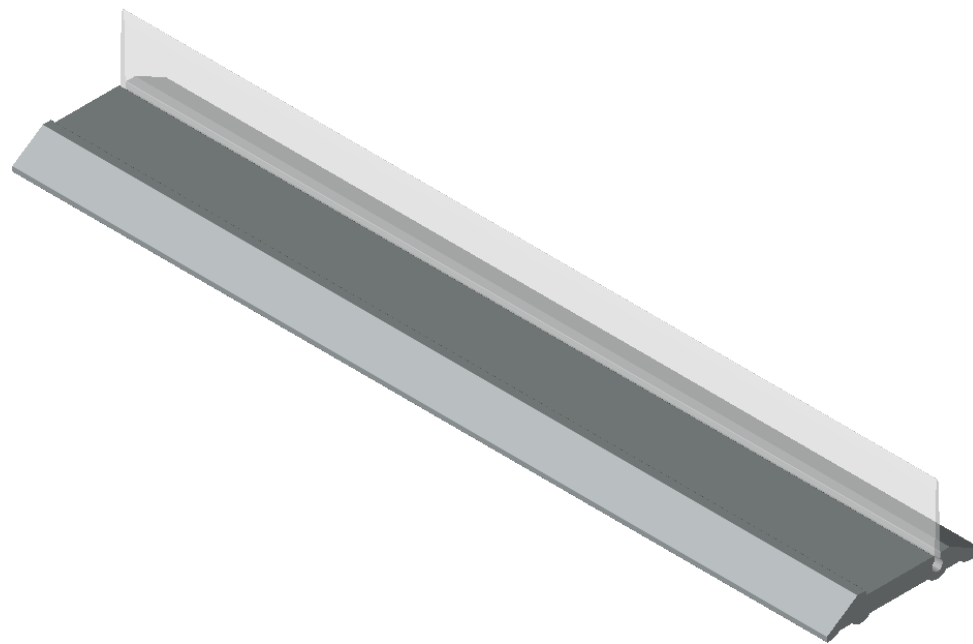


**SHORT FORM SPECIFICATION**

**Barrier Free Shower Dam:**

The aluminum threshold shall be anodized and polished and not less than 6463T5 (architectural grade) alloy. The water dam shall be of polyvinyl chloride. Shower Solutions USA Barrier-Free Water Dam complies with the height requirement in section 608.7 of the ADA Guidelines (Rev. 7-23-04)

Available in 5' and 6' lengths. Dimensions in inches. Please check slope requirements for specific ADA compliance applications.



Shower Solutions USA  
by Alien Innovations, LLC  
[www.showersolutionsusa.com](http://www.showersolutionsusa.com)

TITLE:  
**PRT-35, Shower Water Dam**

**PROPRIETARY AND CONFIDENTIAL**  
THE INFORMATION CONTAINED IN THIS DRAWING IS THE SOLE PROPERTY OF Alien Innovations, LLC. ANY REPRODUCTION IN PART OR AS A WHOLE WITHOUT THE WRITTEN PERMISSION OF Alien Innovations, LLC IS PROHIBITED.

SIZE <b>A</b>	DWG. NO. <b>PRT-35</b>	REV
DATE 9-1-17		SHEET 1 OF 2